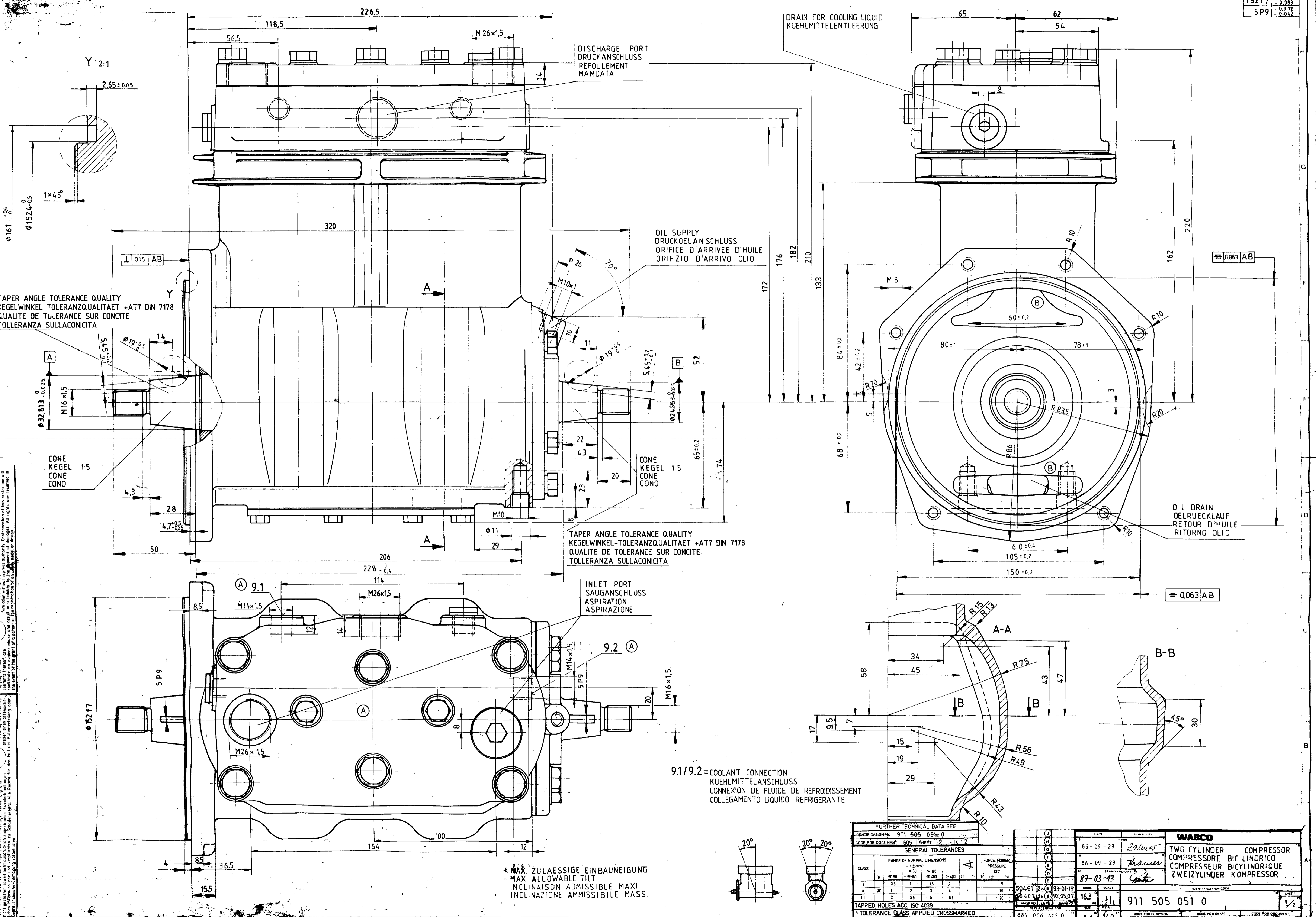


TAPER ANGLE TOLERANCE QUALITY
 KEGELWINKEL TOLERANZQUALITAET +AT7 DIN 7178
 QUALITE DE TOLERANCE SUR CONCITE
 TOLLERANZA SULLA CONICITA

TAPER ANGLE TOLERANCE QUALITY
 KEGELWINKEL-TOLERANZQUALITAET +AT7 DIN 7178
 QUALITE DE TOLERANCE SUR CONCITE
 TOLLERANZA SULLA CONICITA

MAX ZULAESSIGE EINBAUNEIGUNG
 MAX ALLOWABLE TILT
 INCLINAISON ADMISSIBLE MAXI
 INCLINAZIONE AMMISSIBILE MASS.

Without loss of generality, the use or communication of this document is limited to the specific conditions of use and the specific conditions of the design. The user of this document is responsible for the correct interpretation of the technical data and for the correct application of the product. The manufacturer is not responsible for any damage or injury caused by the use of the product. The manufacturer is not responsible for any damage or injury caused by the use of the product.



FURTHER TECHNICAL DATA SEE

IDENTIFICATION NO. 911 505 051 0
 CODE FOR DOCUMENT 605 SHEET 2 OF 2

| GENERAL TOLERANCES | | | | |
|--------------------|-------------------------------------|-------|-------|--------|
| CLASS | RANGE OF NOMINAL DIMENSIONS (in mm) | | | |
| | > 50 | > 100 | > 400 | > 1000 |
| I | ±0.15 | ±0.20 | ±0.30 | ±0.40 |
| II | ±0.10 | ±0.15 | ±0.20 | ±0.30 |
| III | ±0.05 | ±0.08 | ±0.12 | ±0.18 |

TAPPED HOLES ACC. ISO 4039
 TOLERANCE CLASS APPLIED CROSSMARKED

| DATE | | DRAWN BY | | WABCO | |
|---------------------|--------|-------------|--------|---|--|
| 86-09-29 | Zalmer | 86-09-29 | Zalmer | TWO CYLINDER COMPRESSOR COMPRESSORE BICILINDRICO COMPRESSEUR BICYLINDRIQUE ZWEIZYLINDER KOMPRESSOR | |
| 87-03-43 | | K. Müller | | 911 505 051 0 | |
| 504.61 2 x 93.01.13 | | 163 | | SCALE 1:1 | |
| 884 006 602 0 | | OF 85-12-19 | | CODE FOR FUNCTION | |

