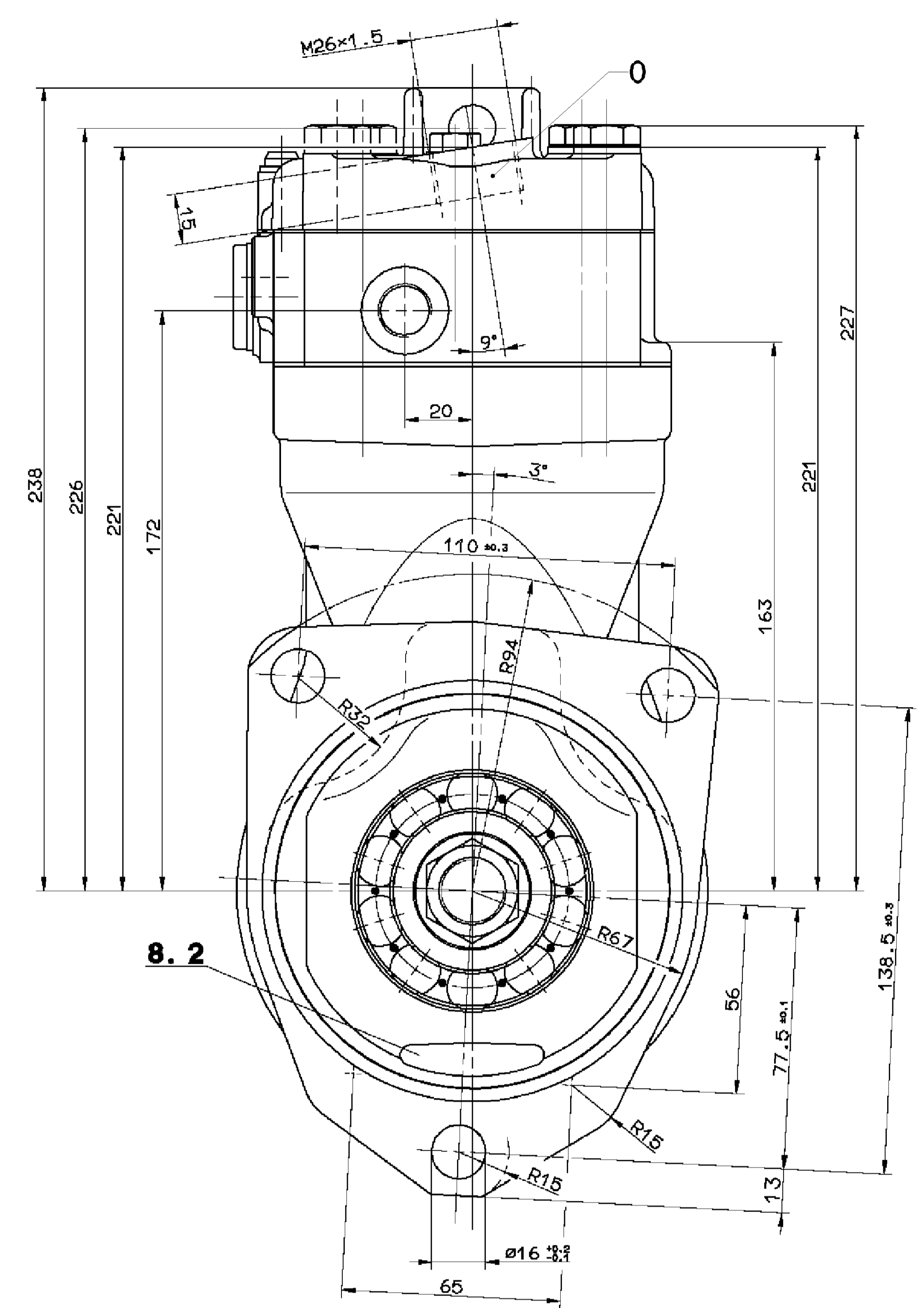
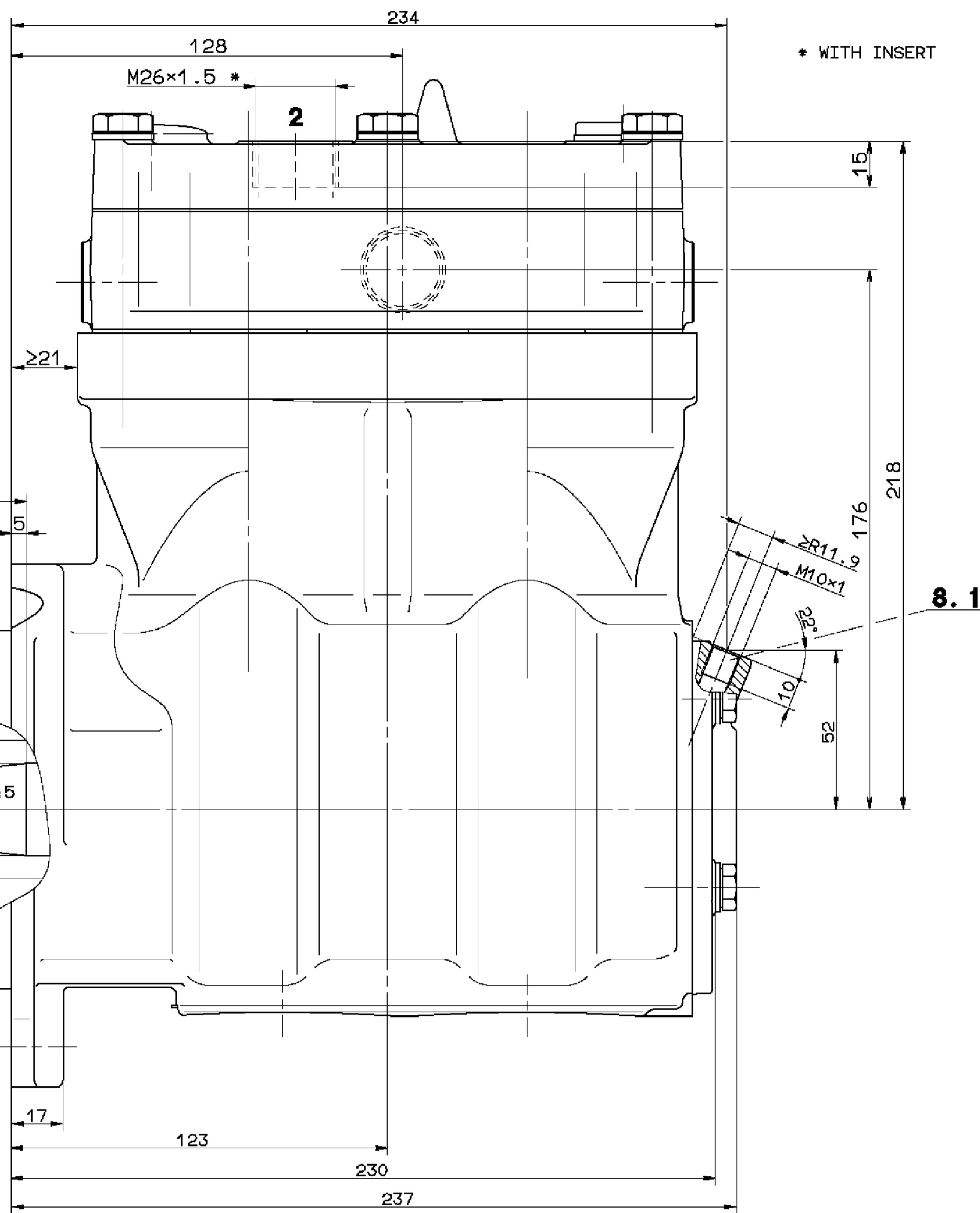
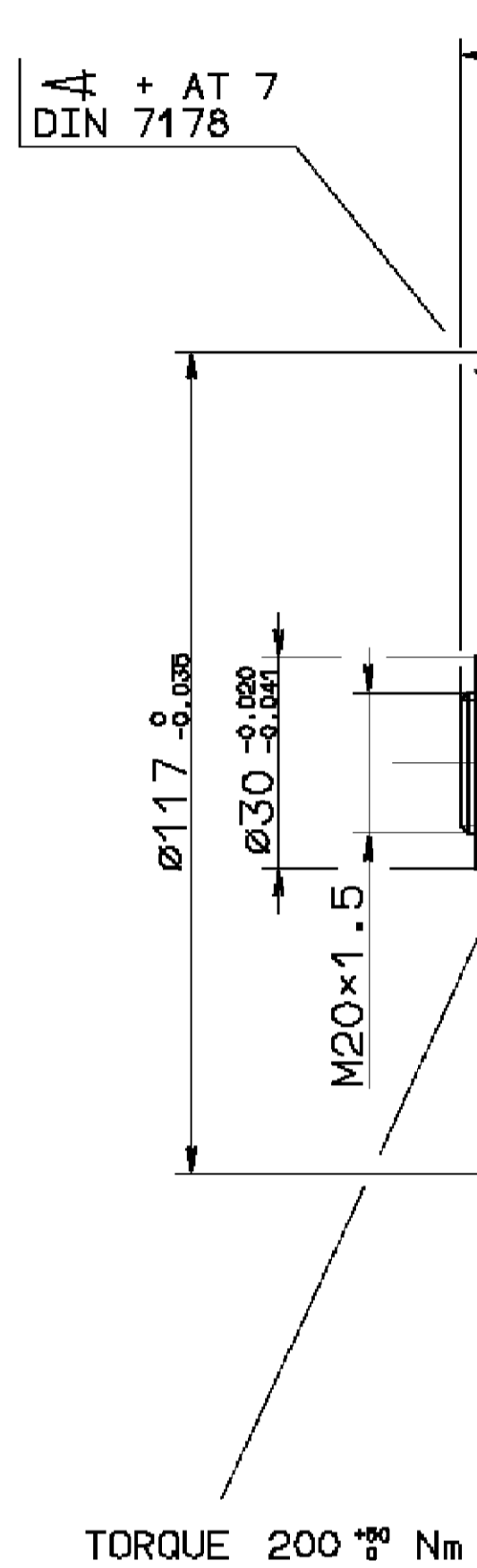


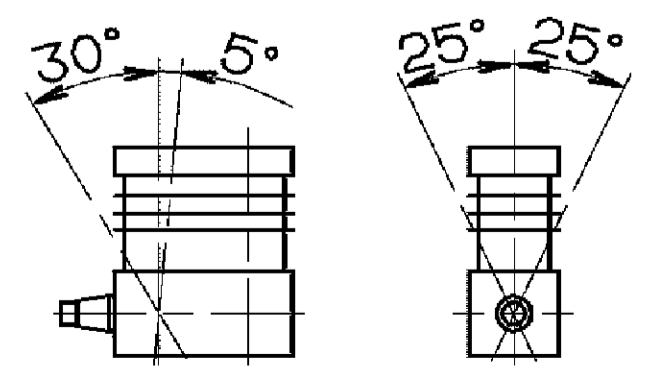
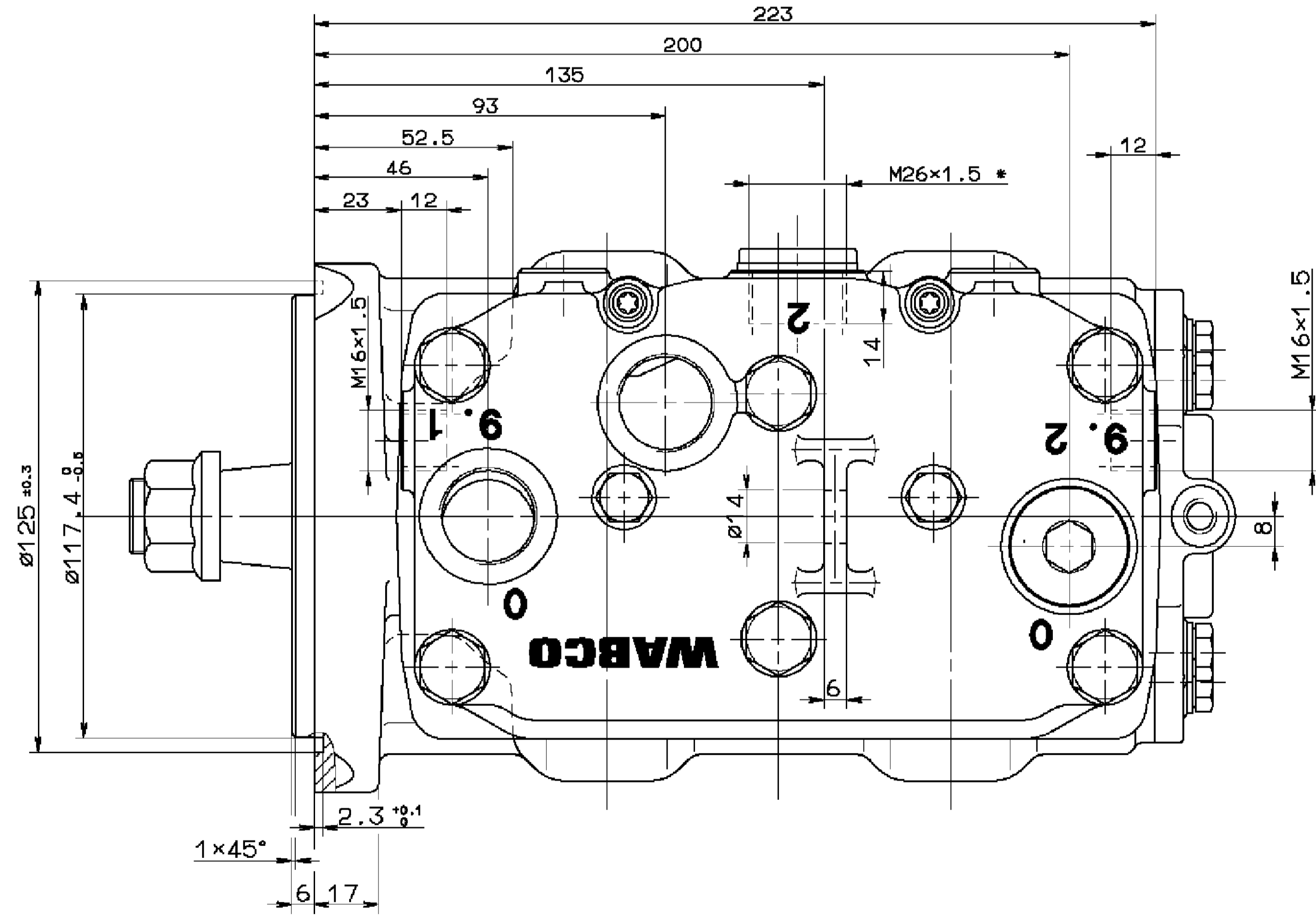
SEE LABELING INFORMATION TABLE



(---) = SHAPE OF ENGINE

| | |
|--|---|
| WORKING MEDIUM | AIR |
| COOLANT | WATER WITH ANTIFREEZE |
| BORE | ∅ 85 mm |
| STROKE | 62 mm |
| SWEPT VOLUME | 704 cm ³ |
| MAX. WORKING SPEED | n _{max} = 2400 min ⁻¹ |
| OVERSPEED (TEMPORARY MAX. 4 SEC.) | n _{ue} = 1.3 x n _{max} |
| MAX. WORKING PRESSURE | p _e = 12,5 bar |
| WITH WATER - COOLING REQUIRED QUANTITY COOLING WATER | 6 l/min ② |
| END PLAY OF CRANKSHAFT | 0.005 ... 0.2 mm |
| LUBRICATION SUPPLIED FROM ENGINE | |
| PORTS AND SHAFTEND PROTECTED | |

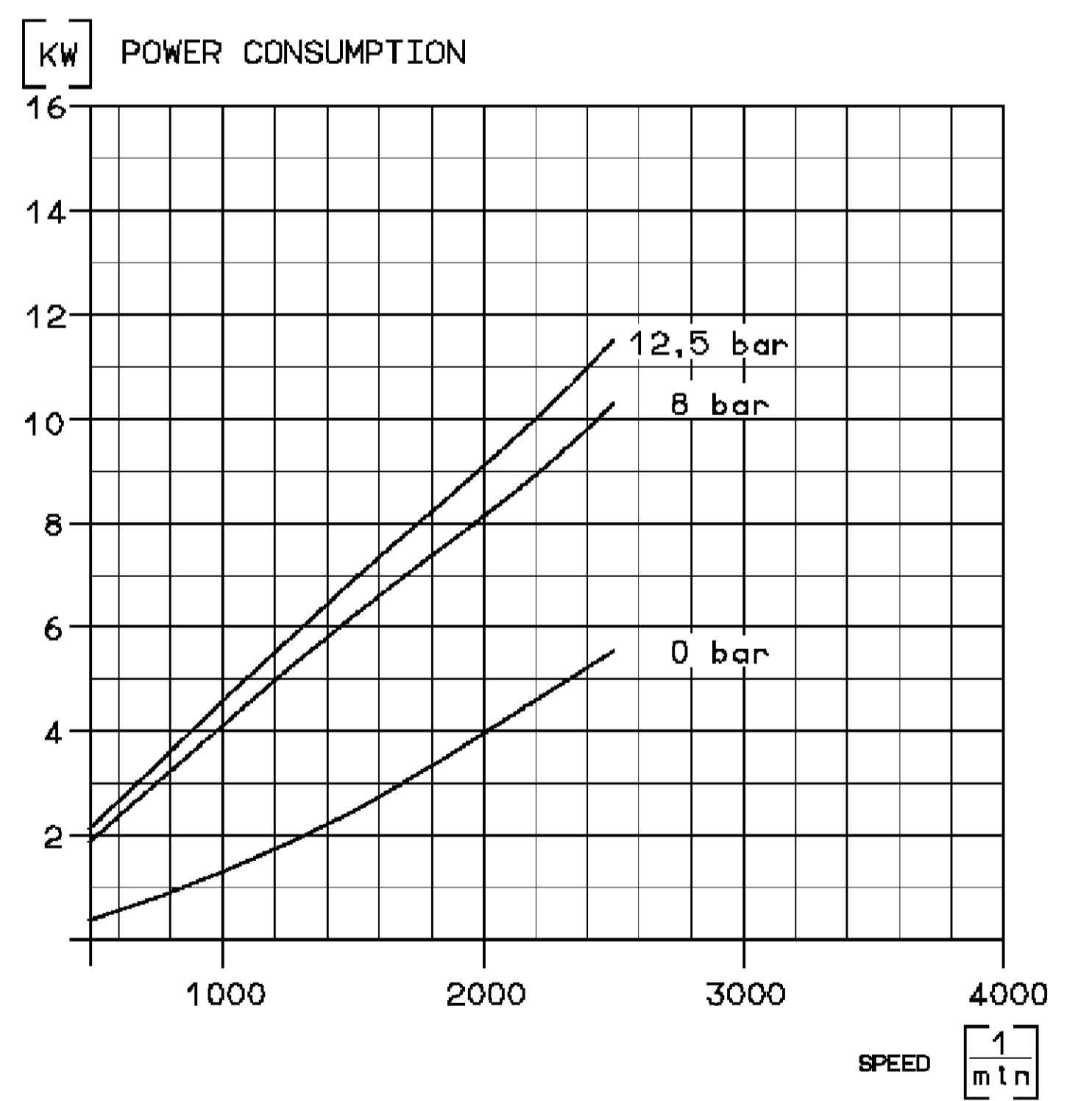
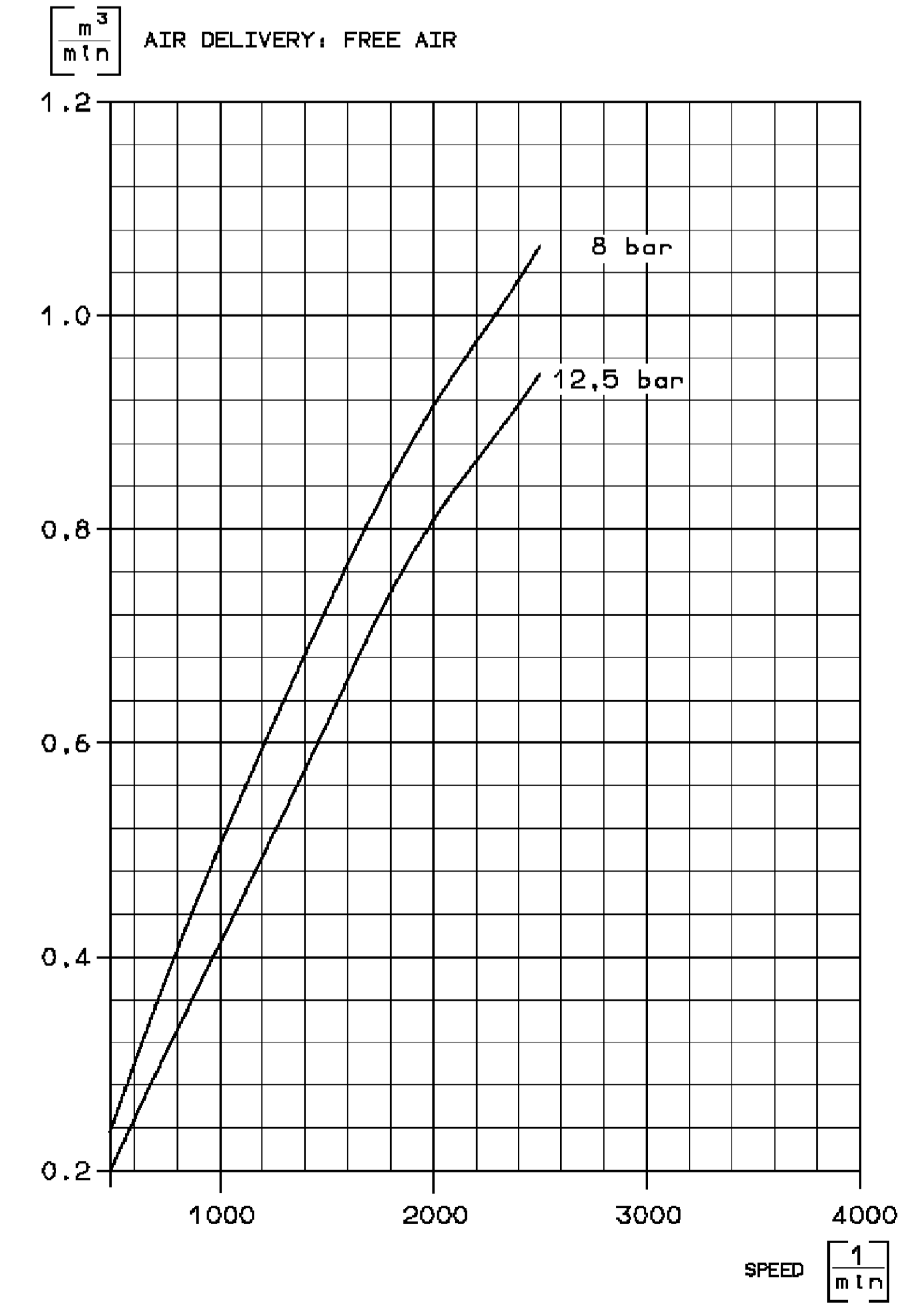
② MAX. PERMISSIBLE TEMPERATURE IN SERVICE: 220 °C



MAX. PERMISSIBLE TILT DURING CONTINUOUS WORKING:

| | |
|-----------|--------------------|
| 0 | INLET PORT |
| 2 | DISCHARGE PORT |
| 8.1 | OIL SUPPLY |
| 8.2 | OIL DRAIN |
| 9.1 / 9.2 | COOLING CONNECTION |

9.1 → 9.2 DIRECTIONS OF FLOW



** ALSO VALID FOR PRI: 037, 003

| LABELING INFORMATION TABLE (SEE ALSO DOC.922) | | | |
|---|-------|-----------------|--------------|
| PRODUCTION SITE | LABEL | LABEL ID NUMBER | LABEL LAYOUT |
| PRI 048 ** | ① | 899 050 145 4 | |

General Specifications: EJ-534-1, Size 150 14405 LP
 Further Technical Data: 911 505 150 R
 Doc. Code: 025
 Serial: To 0
 Date: 2018-08-09
 Drawn: Zygodlo
 Checked: Skowron
 Date: 2018-09-26
 Scale: 1:1
 Title: 911 505 150 R
 Revision: 005
 Date of first issue: 2009
 Date of last issue: 2019
 WABCO TWIN CYLINDER COMPRESSOR
 EN 1/1