

WORKING MEDIUM: AIR  
 BETRIEBSMEDIUM: LUFT

COOLANT: WATER WITH ANTIFREEZE  
 KUEHLMEDIUM: WASSER MIT FROSTSCHUTZ

MEASURING POINT: DISCHARGE PORT  
 MESSPUNKT: DRUCKANSCHLUSS

MAX. PERMISSIBLE PRESSURE PORT TEMPERATURE IN SERVICE  
 MAX. ZULAESSIGE DRUCKSTUTZENTEMPERATUR WAERHEND DES FAHRETRIEBES: 220 °C

LUBRICATION: LUBRICATION SUPPLIED FROM ENGINE  
 SCHMIERART: UMLAUFSCHEMUNG MIT DRUCKOELANSCHLUSS

AXIAL CLEARANCE OF CRANKSHAFT:  
 AXIALSPIEL DER KURBELWELLE: 0.1 ... 0.4 mm

PORTS PROTECTED  
 ANSCHLUESSE GESCHUETZT

CRANKCASE: SURFACE PROTECTION  
 KURBELGEHAUESE: OBERFLAECHENSCHUTZ JED-069M1

FREE FROM ASBESTOS  
 ASBESTEFREI

MAX. PERMISSIBLE TILT DURING CONTINUOUS WORKING  
 MAX. ZULAESSIGE NEIGUNG IM DAUERBETRIEB

0 = INLET PORT  
 SAUGANSCHLUSS

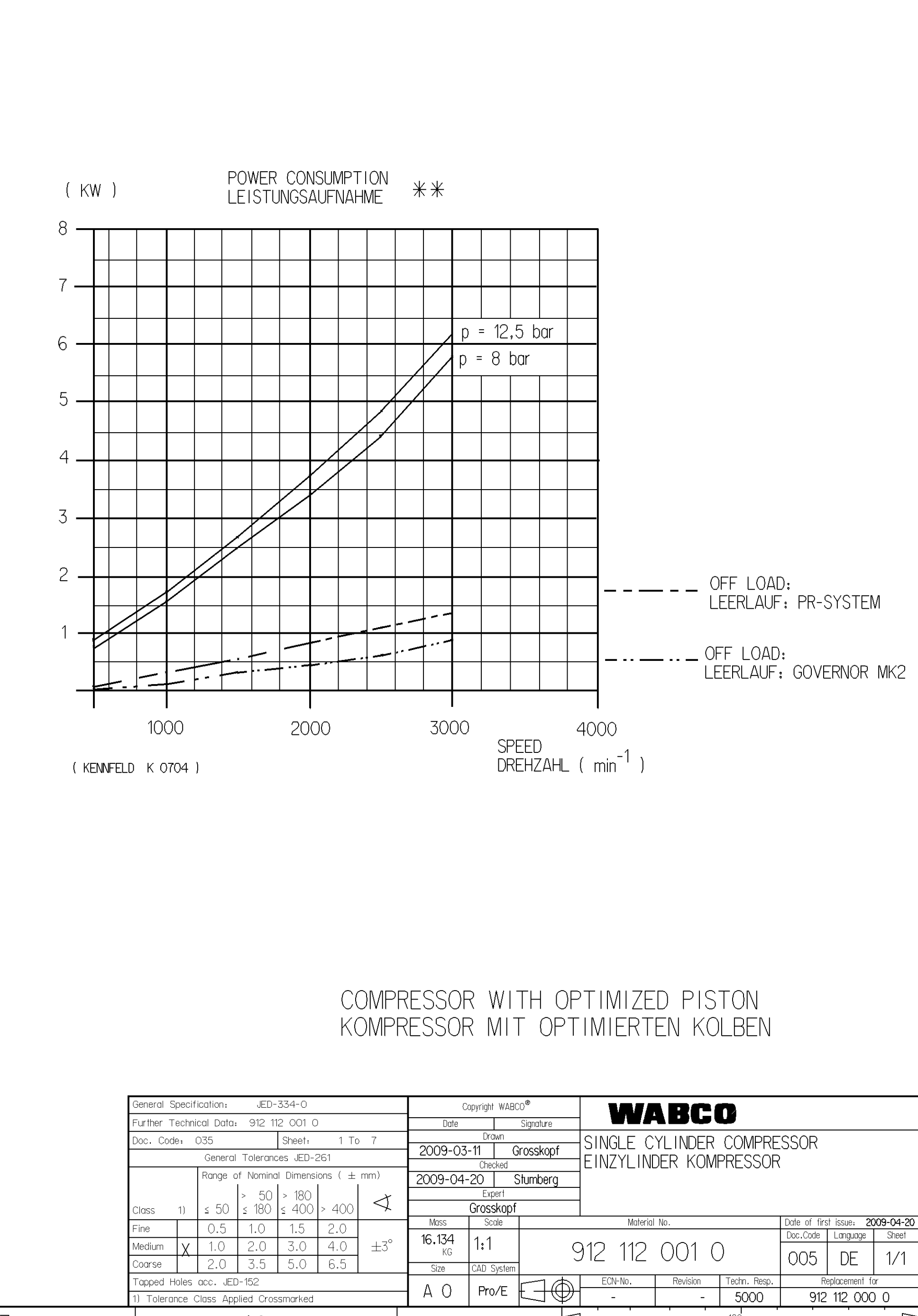
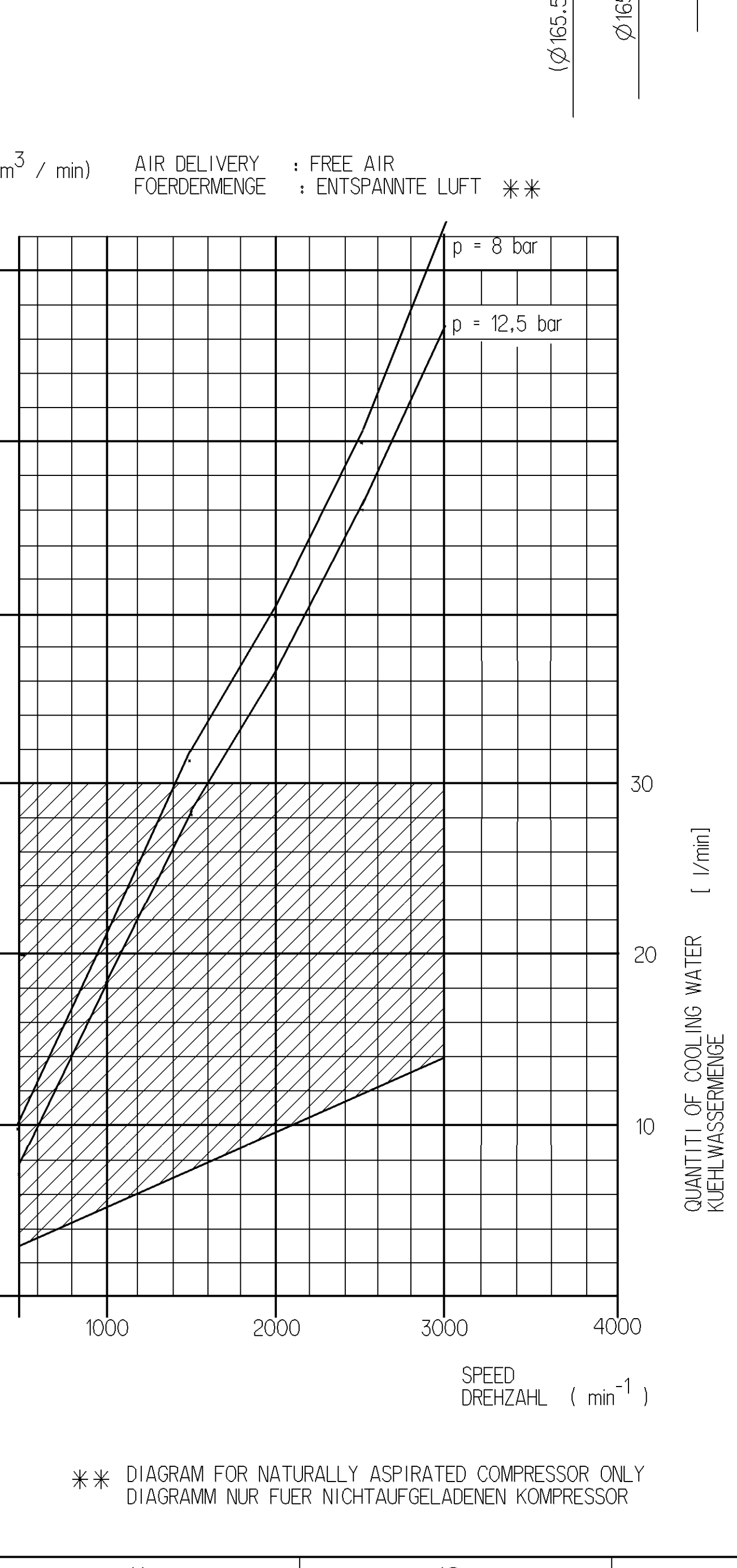
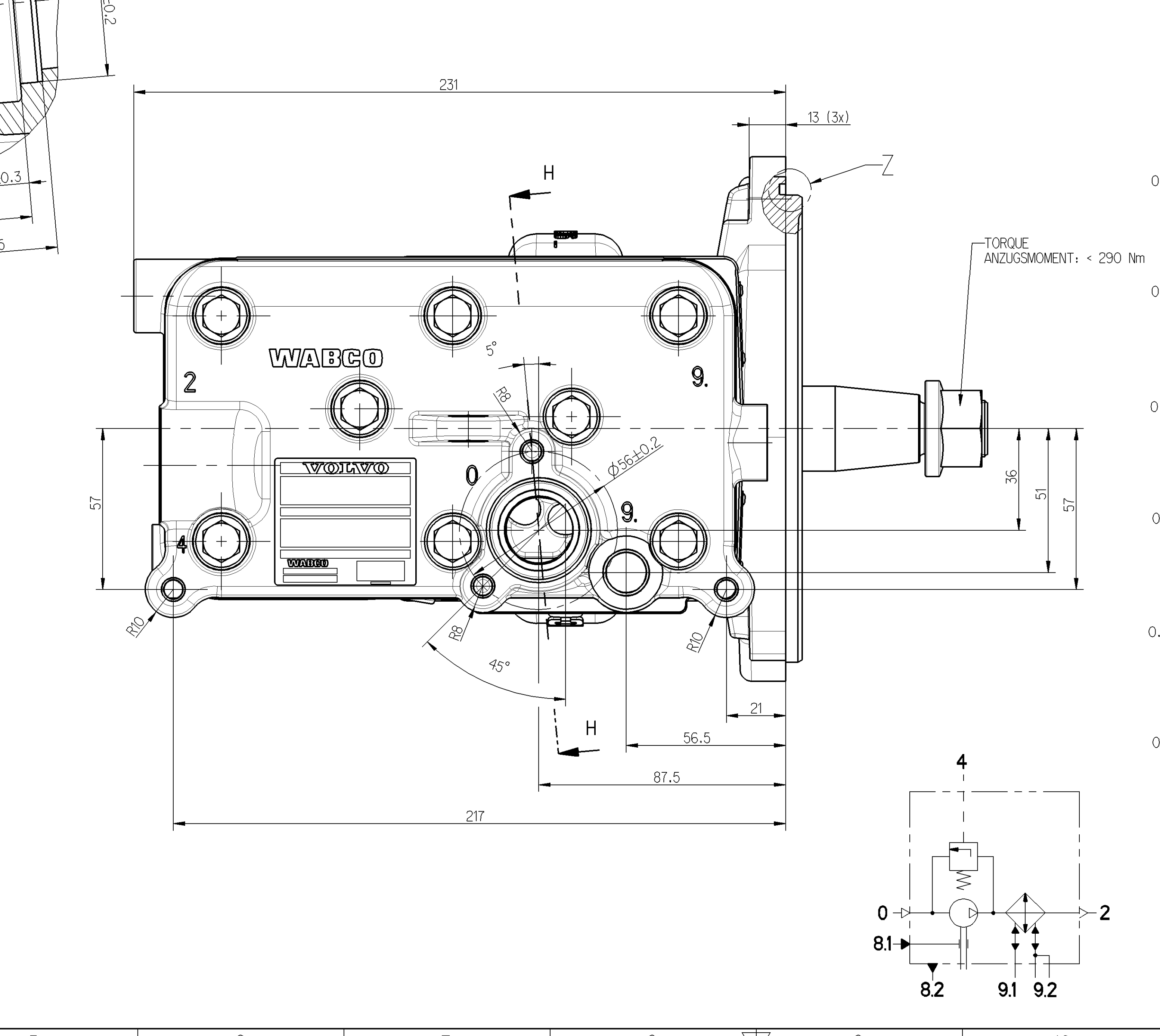
2 = DISCHARGE PORT  
 DRUCKANSCHLUSS M : < 100 Nm

4 = GOVERNOR PORT  
 STEUERANSCHLUSS M : < 25 Nm

8.1 = OIL SUPPLY  
 DRUCKOELANSCHLUSS M : < 25 Nm

8.2 = OIL DRAIN  
 OELRUECKLAUF

9 = COOLANT CONNECTION  
 KUEHLMITTELANSCHLUSS M : < 35 Nm



General Specification: 912-354-0	Copyright: WABCO	WABCO
Further Technical Data: 912 112 001 0	Date: 2009-03-11	Single Cylinder Compressor
Doc. Code: 035	Drawn: 1 To 7	Einzelzylinder Kompressor
General Tolerances: ISO 201	2009-04-20	Stumberg
Range of Nominal Dimensions (d, mm)	16-134	1:1
Class 11: ± 0.50	16-134	1:1
Class 12: ± 0.30	16-134	1:1
Class 13: ± 0.20	16-134	1:1
Class 14: ± 0.15	16-134	1:1
Class 15: ± 0.10	16-134	1:1
Class 16: ± 0.075	16-134	1:1
Class 17: ± 0.050	16-134	1:1
Class 18: ± 0.030	16-134	1:1
Class 19: ± 0.020	16-134	1:1
Class 20: ± 0.015	16-134	1:1
Class 21: ± 0.010	16-134	1:1
Class 22: ± 0.0075	16-134	1:1
Class 23: ± 0.0050	16-134	1:1
Class 24: ± 0.0030	16-134	1:1
Class 25: ± 0.0020	16-134	1:1
Class 26: ± 0.0015	16-134	1:1
Class 27: ± 0.0010	16-134	1:1
Class 28: ± 0.00075	16-134	1:1
Class 29: ± 0.00050	16-134	1:1
Class 30: ± 0.00030	16-134	1:1
Class 31: ± 0.00020	16-134	1:1
Class 32: ± 0.00015	16-134	1:1
Class 33: ± 0.00010	16-134	1:1
Class 34: ± 0.000075	16-134	1:1
Class 35: ± 0.000050	16-134	1:1
Class 36: ± 0.000030	16-134	1:1
Class 37: ± 0.000020	16-134	1:1
Class 38: ± 0.000015	16-134	1:1
Class 39: ± 0.000010	16-134	1:1
Class 40: ± 0.0000075	16-134	1:1
Class 41: ± 0.0000050	16-134	1:1
Class 42: ± 0.0000030	16-134	1:1
Class 43: ± 0.0000020	16-134	1:1
Class 44: ± 0.0000015	16-134	1:1
Class 45: ± 0.0000010	16-134	1:1
Class 46: ± 0.00000075	16-134	1:1
Class 47: ± 0.00000050	16-134	1:1
Class 48: ± 0.00000030	16-134	1:1
Class 49: ± 0.00000020	16-134	1:1
Class 50: ± 0.00000015	16-134	1:1
Class 51: ± 0.00000010	16-134	1:1
Class 52: ± 0.000000075	16-134	1:1
Class 53: ± 0.000000050	16-134	1:1
Class 54: ± 0.000000030	16-134	1:1
Class 55: ± 0.000000020	16-134	1:1
Class 56: ± 0.000000015	16-134	1:1
Class 57: ± 0.000000010	16-134	1:1
Class 58: ± 0.0000000075	16-134	1:1
Class 59: ± 0.0000000050	16-134	1:1
Class 60: ± 0.0000000030	16-134	1:1
Class 61: ± 0.0000000020	16-134	1:1
Class 62: ± 0.0000000015	16-134	1:1
Class 63: ± 0.0000000010	16-134	1:1
Class 64: ± 0.00000000075	16-134	1:1
Class 65: ± 0.00000000050	16-134	1:1
Class 66: ± 0.00000000030	16-134	1:1
Class 67: ± 0.00000000020	16-134	1:1
Class 68: ± 0.00000000015	16-134	1:1
Class 69: ± 0.00000000010	16-134	1:1
Class 70: ± 0.000000000075	16-134	1:1
Class 71: ± 0.000000000050	16-134	1:1
Class 72: ± 0.000000000030	16-134	1:1
Class 73: ± 0.000000000020	16-134	1:1
Class 74: ± 0.000000000015	16-134	1:1
Class 75: ± 0.000000000010	16-134	1:1
Class 76: ± 0.0000000000075	16-134	1:1
Class 77: ± 0.0000000000050	16-134	1:1
Class 78: ± 0.0000000000030	16-134	1:1
Class 79: ± 0.0000000000020	16-134	1:1
Class 80: ± 0.0000000000015	16-134	1:1
Class 81: ± 0.0000000000010	16-134	1:1
Class 82: ± 0.00000000000075	16-134	1:1
Class 83: ± 0.00000000000050	16-134	1:1
Class 84: ± 0.00000000000030	16-134	1:1
Class 85: ± 0.00000000000020	16-134	1:1
Class 86: ± 0.00000000000015	16-134	1:1
Class 87: ± 0.00000000000010	16-134	1:1
Class 88: ± 0.000000000000075	16-134	1:1
Class 89: ± 0.000000000000050	16-134	1:1
Class 90: ± 0.000000000000030	16-134	1:1
Class 91: ± 0.000000000000020	16-134	1:1
Class 92: ± 0.000000000000015	16-134	1:1
Class 93: ± 0.000000000000010	16-134	1:1
Class 94: ± 0.0000000000000075	16-134	1:1
Class 95: ± 0.0000000000000050	16-134	1:1
Class 96: ± 0.0000000000000030	16-134	1:1
Class 97: ± 0.0000000000000020	16-134	1:1
Class 98: ± 0.0000000000000015	16-134	1:1
Class 99: ± 0.0000000000000010	16-134	1:1
Class 100: ± 0.00000000000000075	16-134	1:1
Class 101: ± 0.00000000000000050	16-134	1:1
Class 102: ± 0.00000000000000030	16-134	1:1
Class 103: ± 0.00000000000000020	16-134	1:1
Class 104: ± 0.00000000000000015	16-134	1:1
Class 105: ± 0.00000000000000010	16-134	1:1
Class 106: ± 0.000000000000000075	16-134	1:1
Class 107: ± 0.000000000000000050	16-134	1:1
Class 108: ± 0.000000000000000030	16-134	1:1
Class 109: ± 0.000000000000000020	16-134	1:1
Class 110: ± 0.000000000000000015	16-134	1:1
Class 111: ± 0.000000000000000010	16-134	1:1
Class 112: ± 0.0000000000000000075	16-134	1:1
Class 113: ± 0.0000000000000000050	16-134	1:1
Class 114: ± 0.0000000000000000030	16-134	1:1
Class 115: ± 0.0000000000000000020	16-134	1:1
Class 116: ± 0.0000000000000000015	16-134	1:1
Class 117: ± 0.0000000000000000010	16-134	1:1
Class 118: ± 0.00000000000000000075	16-134	1:1
Class 119: ± 0.00000000000000000050	16-134	1:1
Class 120: ± 0.00000000000000000030	16-134	1:1
Class 121: ± 0.00000000000000000020	16-134	1:1
Class 122: ± 0.00000000000000000015	16-134	1:1
Class 123: ± 0.00000000000000000010	16-134	1:1
Class 124: ± 0.000000000000000000075	16-134	1:1
Class 125: ± 0.000000000000000000050	16-134	1:1
Class 126: ± 0.000000000000000000030	16-134	1:1
Class 127: ± 0.000000000000000000020	16-134	1:1
Class 128: ± 0.000000000000000000015	16-134	1:1
Class 129: ± 0.000000000000000000010	16-134	1:1
Class 130: ± 0.0000000000000000000075	16-134	1:1
Class 131: ± 0.0000000000000000000050	16-134	1:1
Class 132: ± 0.0000000000000000000030	16-134	1:1
Class 133: ± 0.0000000000000000000020	16-134	1:1
Class 134: ± 0.0000000000000000000015	16-134	1:1
Class 135: ± 0.0000000000000000000010	16-134	1:1
Class 136: ± 0.00000000000000000000075	16-134	1:1
Class 137: ± 0.00000000000000000000050	16-134	1:1
Class 138: ± 0.00000000000000000000030	16-134	1:1
Class 139: ± 0.00000000000000000000020	16-134	1:1
Class 140: ± 0.00000000000000000000015	16-134	1:1
Class 141: ± 0.00000000000000000000010	16-134	1:1
Class 142: ± 0.000000000000000000000075	16-134	1:1
Class 143: ± 0.000000000000000000000050	16-134	1:1
Class 144: ± 0.000000000000000000000030	16-134	1:1
Class 145: ± 0.000000000000000000000020	16-134	1:1
Class 146: ± 0.000000000000000000000015	16-134	1:1
Class 147: ± 0.000000000000000000000010	16-134	1:1
Class 148: ± 0.0000000000000000000000075	16-134	1:1
Class 149: ± 0.0000000000000000000000050	16-134	1:1
Class 150: ± 0.0000000000000000000000030	16-134	1:1
Class 151: ± 0.0000000000000000000000020	16-134	1:1
Class 152: ± 0.0000000000000000000000015	16-134	1:1
Class 153: ± 0.0000000000000000000000010	16-134	1:1
Class 154: ± 0.00000000000000000000000075	16-134	1:1
Class 155: ± 0.00000000000000000000000050	16-134	1:1
Class 156: ± 0.00000000000000000000000030	16-134	1:1
Class 157: ± 0.00000000000000000000000020	16-134	1:1
Class 158: ± 0.00000000000000000000000015	16-134	1:1
Class 159: ± 0.00000000000000000000000010	16-134	1:1
Class 160: ± 0.000000000000000000000000075	16-134	1:1
Class 161: ± 0.000000000000000000000000050	16-134	1:1
Class 162: ± 0.000000000000000000000000030	16-134	1:1
Class 163: ± 0.000000000000000000000000020	16-134	1:1
Class 164: ± 0.000000000000000000000000015	16-134	1:1
Class 165: ± 0.000000000000000000000000010	16-134	1:1
Class 166: ± 0.0000000000000000000000000075	16-134	1:1
Class 167: ± 0.0000000000000000000000000050	16-134	1:1
Class 168: ± 0.0000000000000000000000000030	16-134	1:1
Class 169: ± 0.0000000000000000000000000020	16-134	1:1
Class 170: ± 0.0000000000000000000000000015	16-134	1:1
Class 171: ± 0.0000000000000000000000000010	16-134	1:1
Class 172: ± 0.00000000000000000000000000075	16-134	1:1
Class 173: ± 0.00000000000000000000000000050	16-134	1:1
Class 174: ± 0.00000000000000000000000000030	16-134	1:1
Class 175: ± 0.00000000000000000000000000020	16-134	1:1
Class 176: ± 0.00000000000000000000000000015	16-134	1:1
Class 177: ± 0.00000000000000000000000000010	16-134	1:1
Class 178: ± 0.000000000000000000000000000075	16-134	1:1
Class 179: ± 0.000000000000000000000000000050	16-134	1:1
Class 180: ± 0.000000000000000000000000000030	16-134	1:1
Class 181: ± 0.000000000000000000000000000020	16-134	1:1
Class 182: ± 0.000000000000000000000000000015	16-134	1:1
Class 183: ± 0.000000000000000000000000000010	16-134	1:1
Class 184: ± 0.00000		