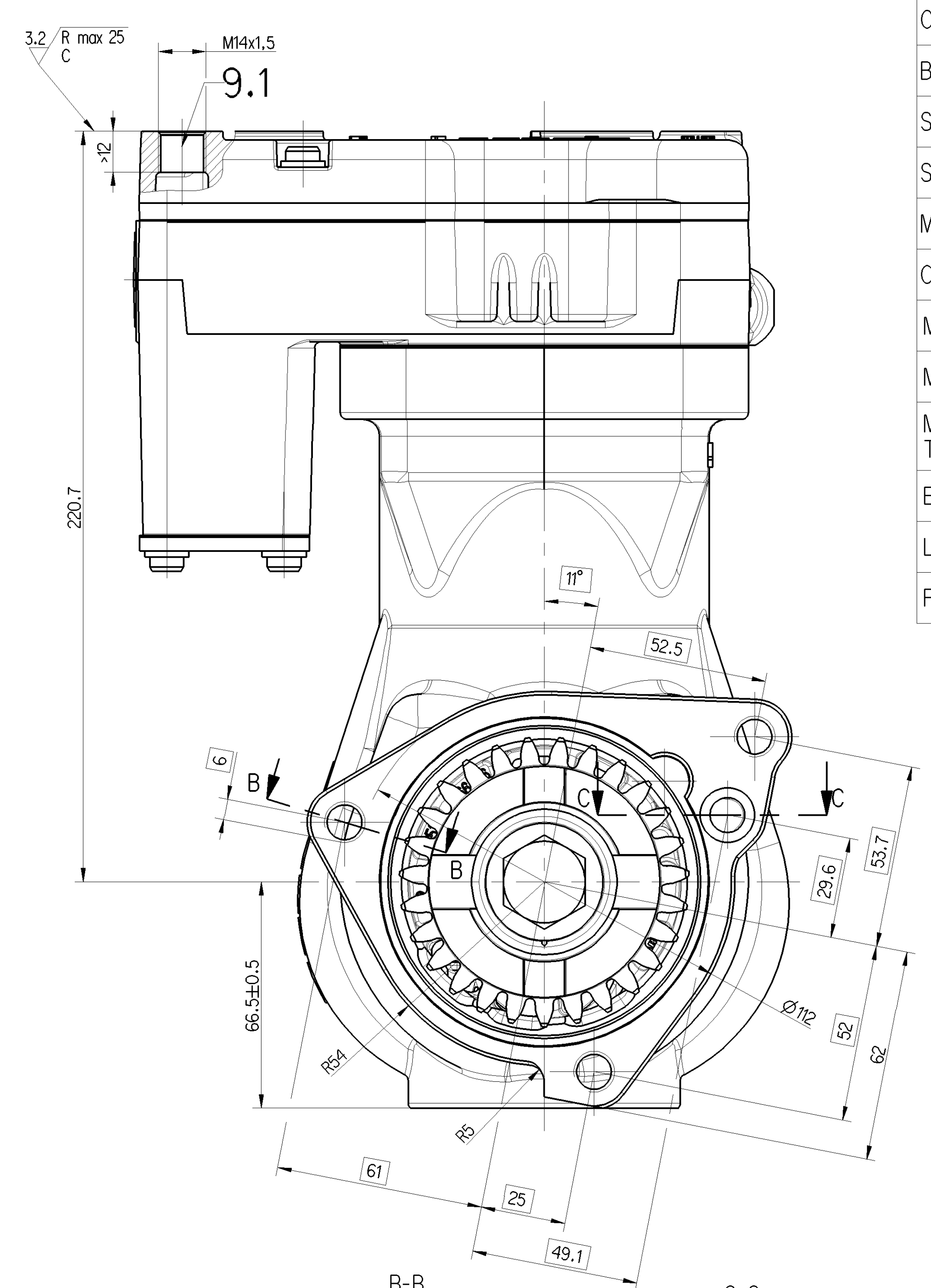
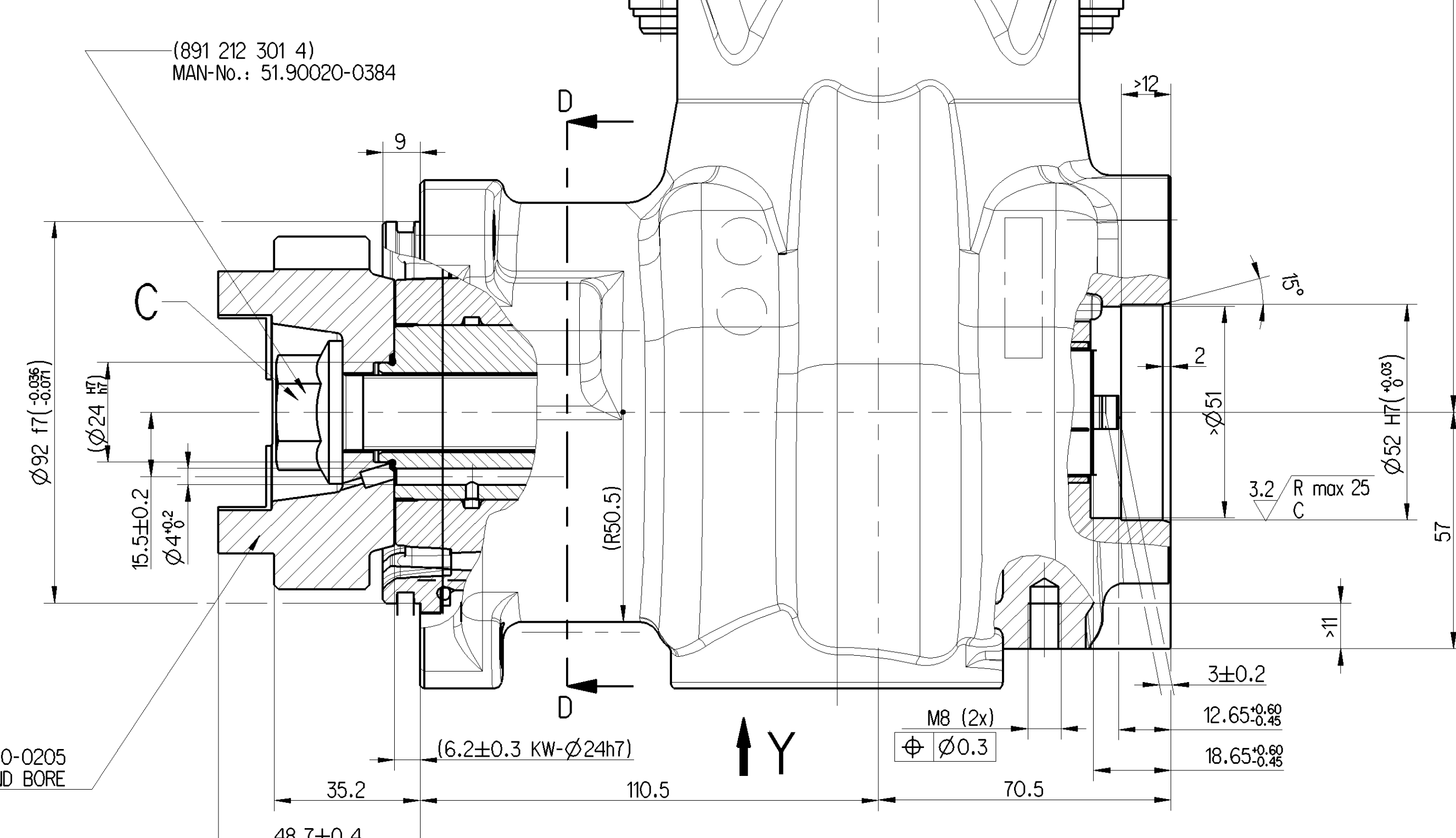
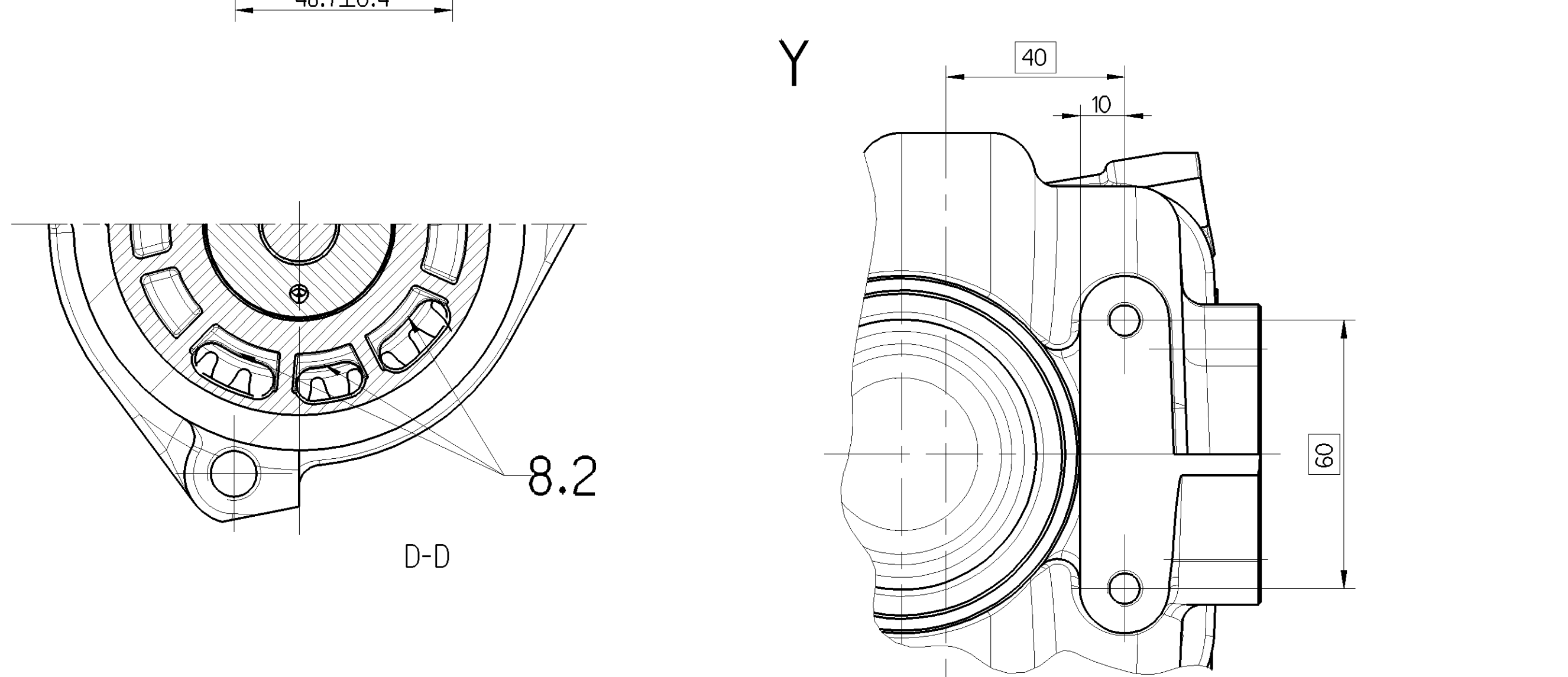
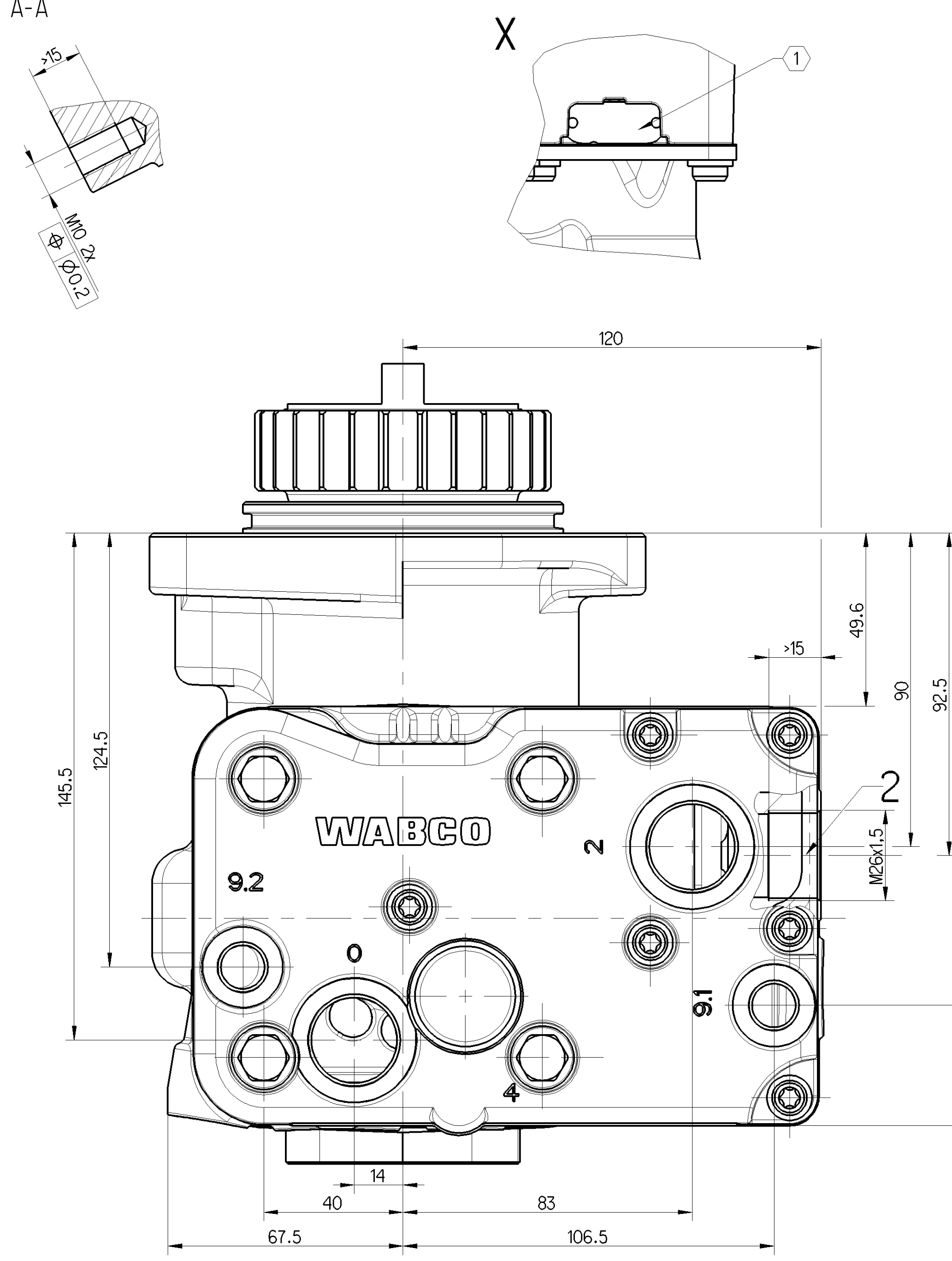


C TORQUE: 100 ± 10 Nm
 ROTATION ANGLE: 90° +10° -5°
 THE GEAR HAS TO BE LOCKED AGAINST ROTATION AT THE OUTER DIAMETER.
 THE CRANKSHAFT HAS TO BE LOCKED AGAINST ROTATION AT THE HUB FOR THE POWER-STEERING-PUMP (ca. 130 Nm).



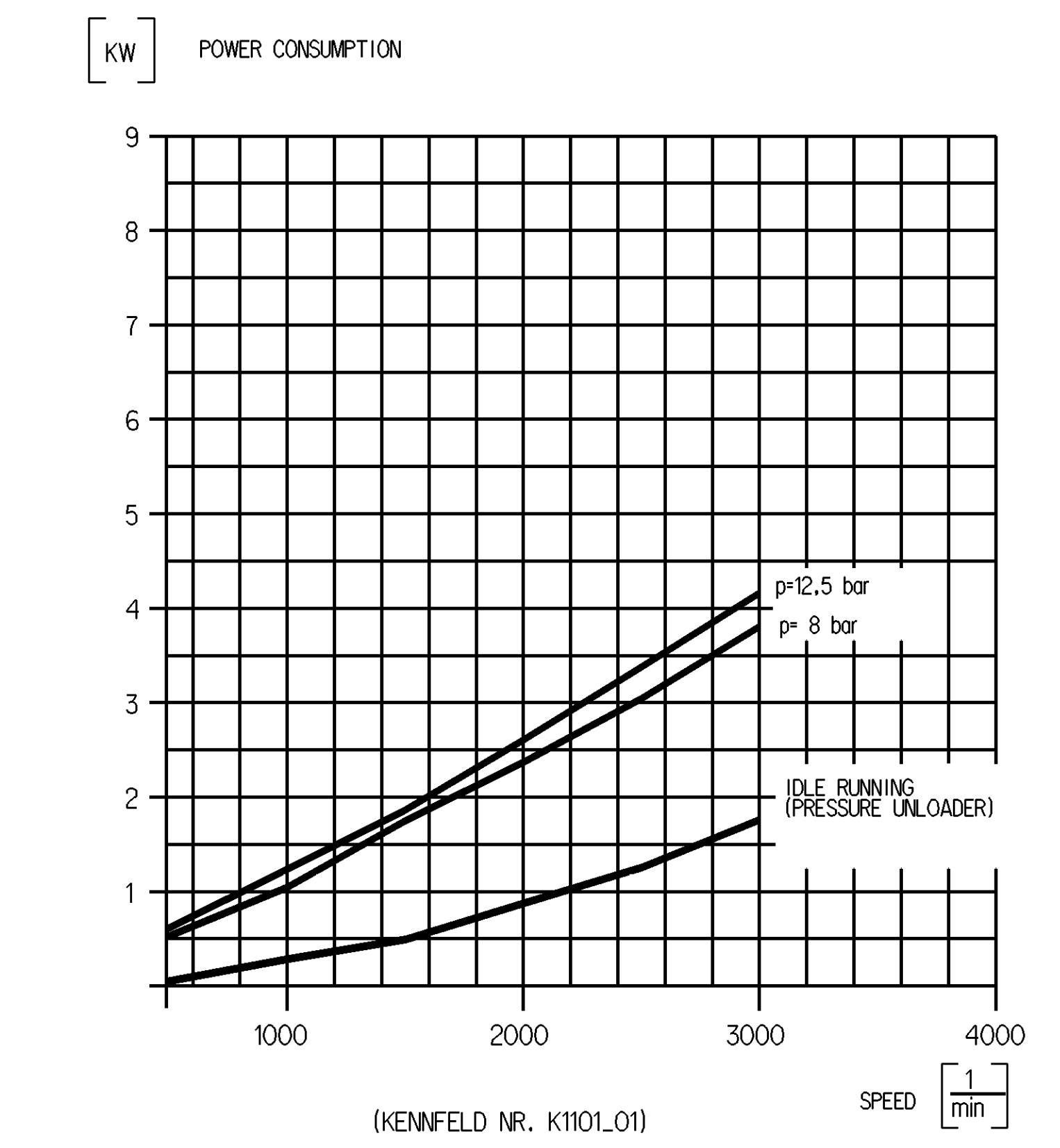
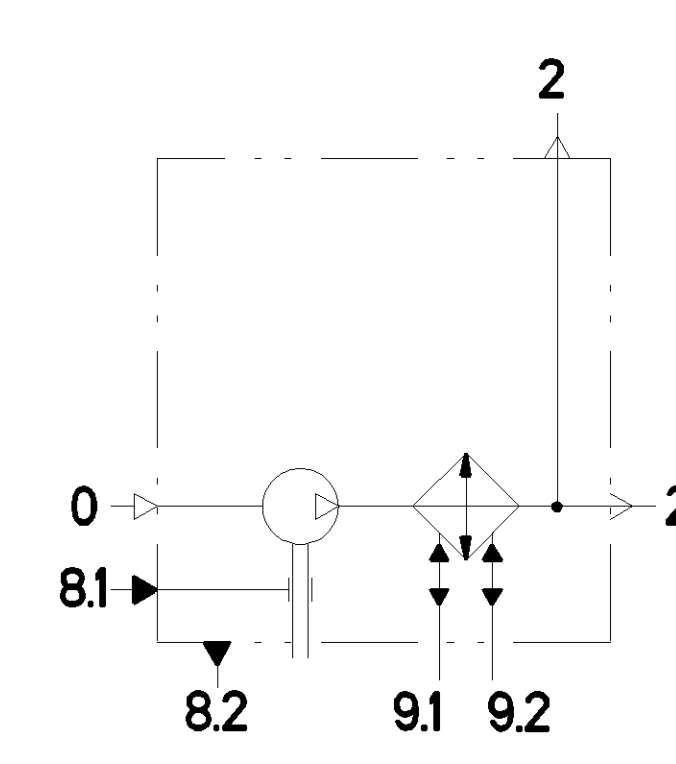
WORKING MEDIUM	AIR
COOLANT	WATER WITH ANTIFREEZE
BORE	∅ 85 mm
STROKE	42 mm
SWEPT VOLUME	238 cm ³
MAX. WORKING SPEED	n _{max} = 3000 min ⁻¹
OVERSPEED (MAX. 4 SEC.)	n _{ue} = 1.3 x n _{max}
MAX. WORKING PRESSURE	p _e = 12.5 bar
MAX. PRESSURE AT PRESSURE PORT	p _e = 16 bar
MAX. PERMISSIBLE PRESSURE TEMPERATURE IN SERVICE	200 °C
END PLAY OF CRANKSHAFT	0.15 ... 0.38 mm
LUBRICATION SUPPLIED FROM ENGINE	
FREE FROM ASBESTOS	



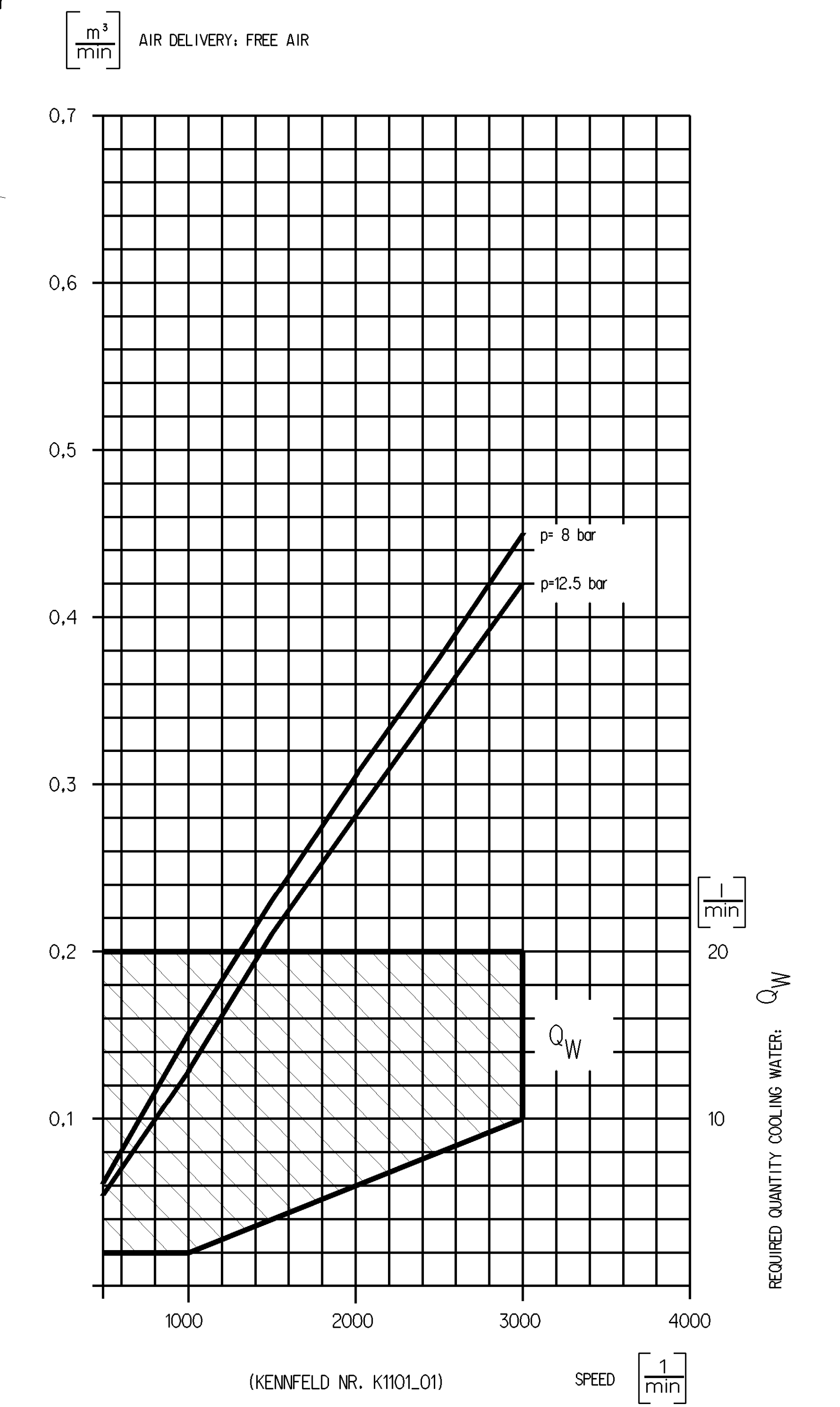
MAX. PERMISSIBLE TILT DURING CONTINUOUS WORKING

0	SUCTION PORT	M ≤ 100 Nm
2	DISCHARGE PORT	M ≤ 100 Nm
8.1	OIL SUPPLY	
8.2	OIL DRAIN	
9.1	COOLANT CONNECTION	M ≤ 35 Nm
9.2		

9.1 → 9.2 DIRECTIONS OF FLOW



FULL SCREEN COATED SUCTION LEAF IMPLEMENTED SINCE OCTOBER 2008.



MAN-Nr.: 51.54100-7071

(...) AUXILIARY DIMENSION
 ① CUSTOMER'S LABEL

General Specifications: JED-354-0		Copyright WABCO®		WABCO	
Further Technical Data: 912 116 000 0		Title: System		SINGLE CYLINDER COMPRESSOR	
Doc. Code: 558	Sheet: 1 To 5	Year: 2016-12-01	Drawn: Trojko		
General Tolerances: ISO 2011		Year: 2016-12-02		Checked: Skobonin	
Range of Nominal Dimensions (d in mm)		Scale: 1:1		Material No.: 912 116 000 A	
Class	1 to 50	50 to 180	180 to 400	Date of 1st issue: 2016-12-02	Doc. Code: Language: Steel
Fit	0.5	1.0	1.5	2.0	
Medium	X	1.0	2.0	3.0	4.0
Coarse		2.0	3.5	5.0	6.5
Tapped Holes acc.:		Scale: 1:1		Revision: 005 EN 1/1	
Tapped Holes acc.:		Scale: 1:1		Year: 2009	