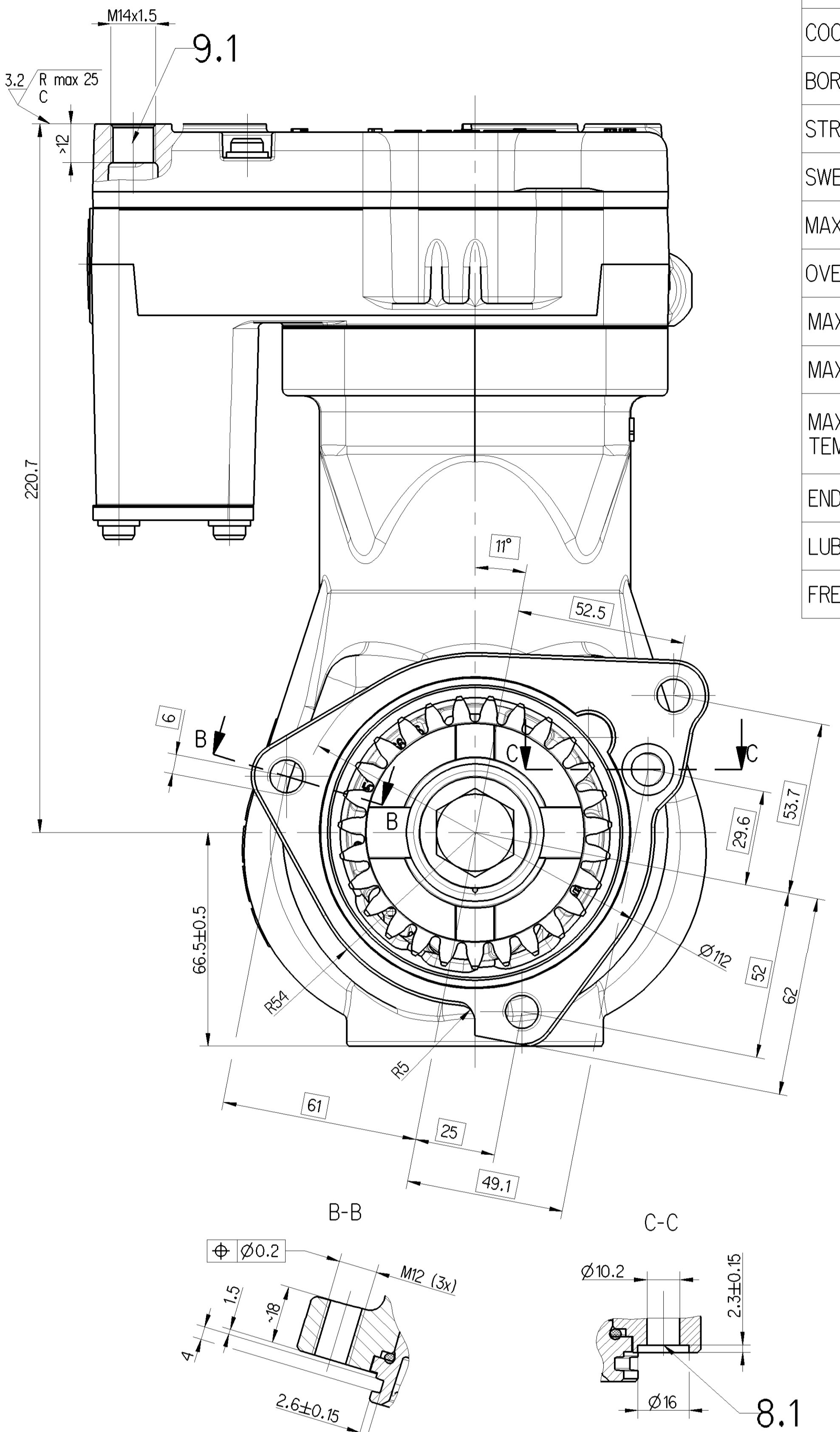
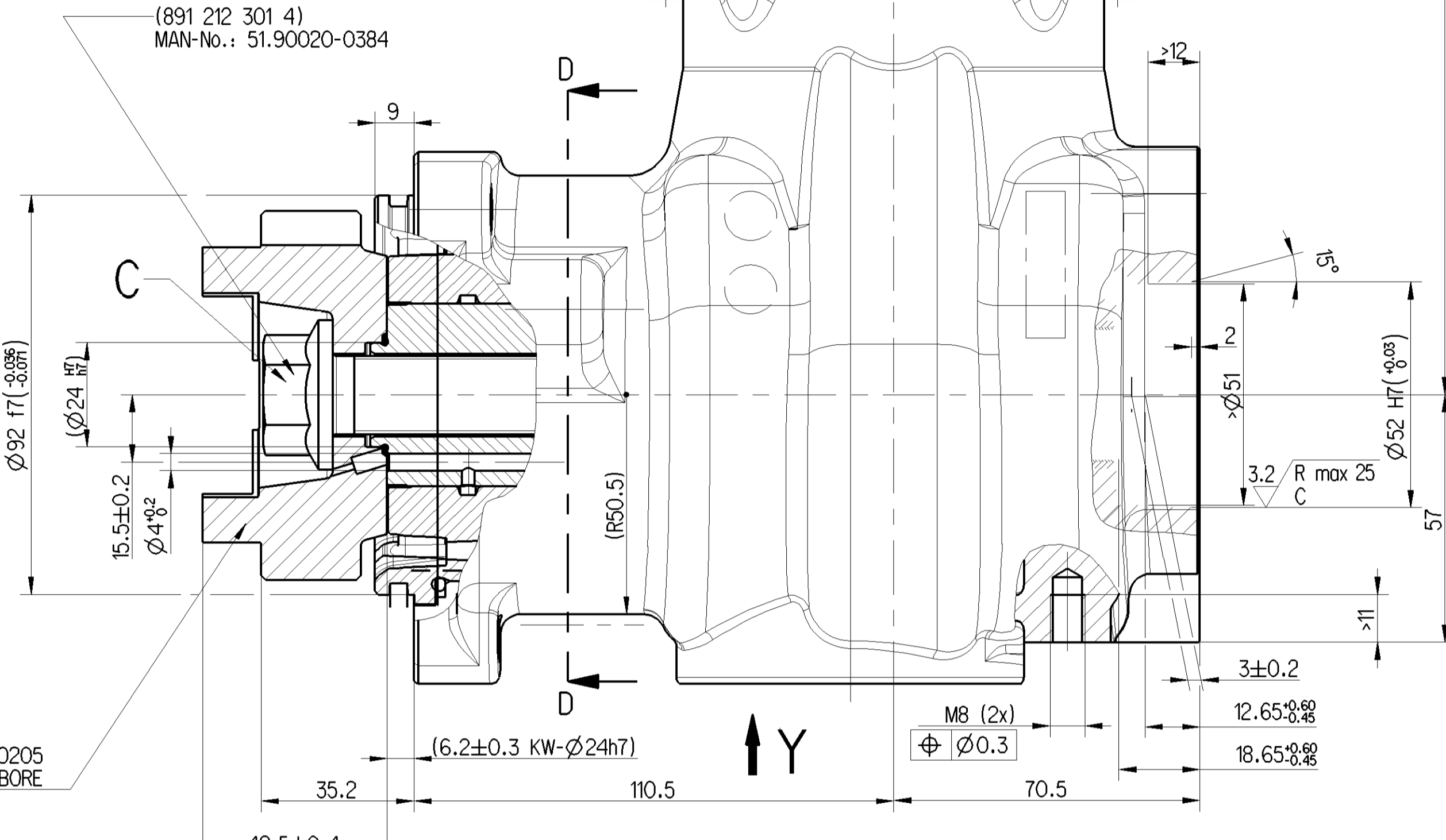
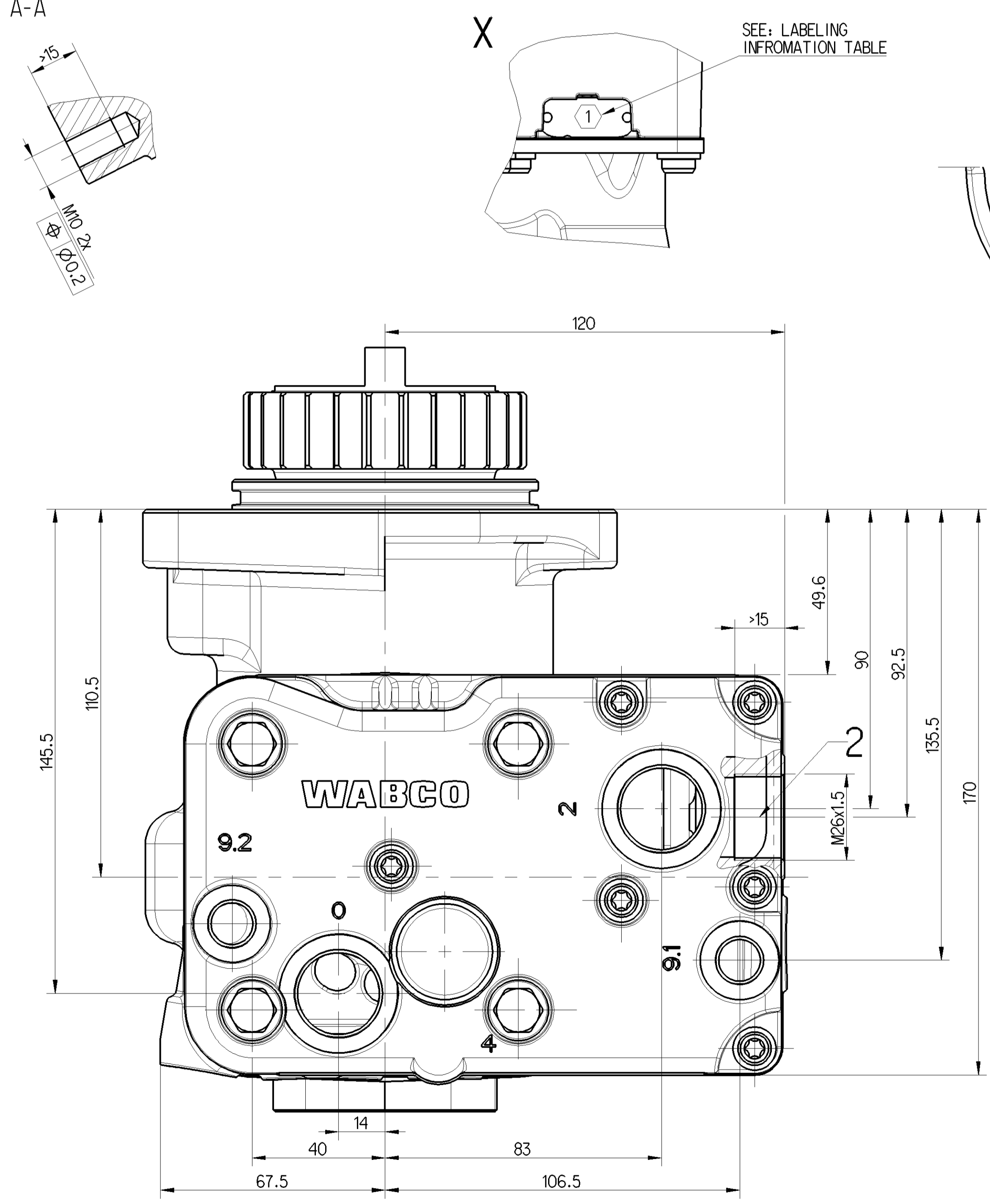
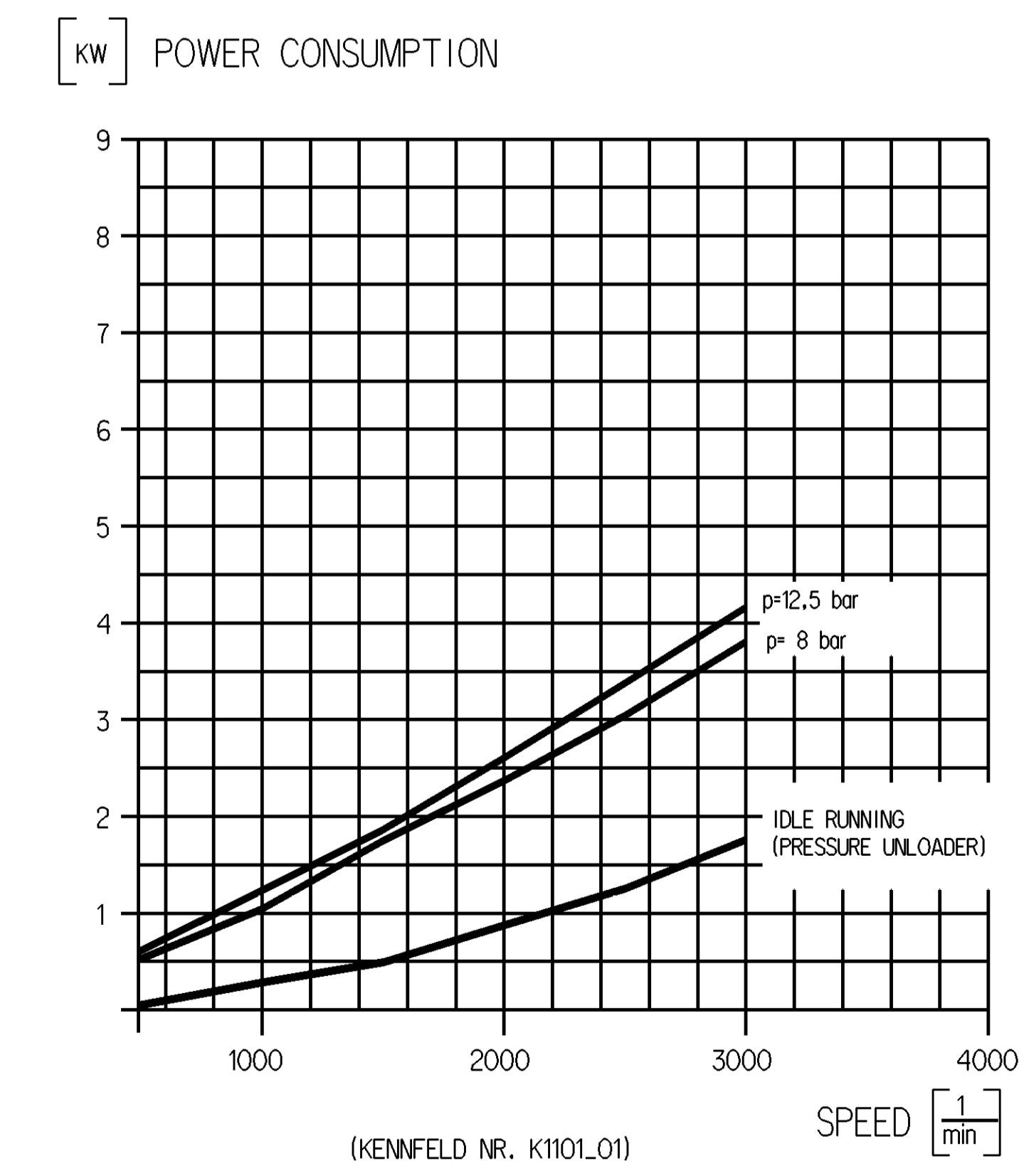
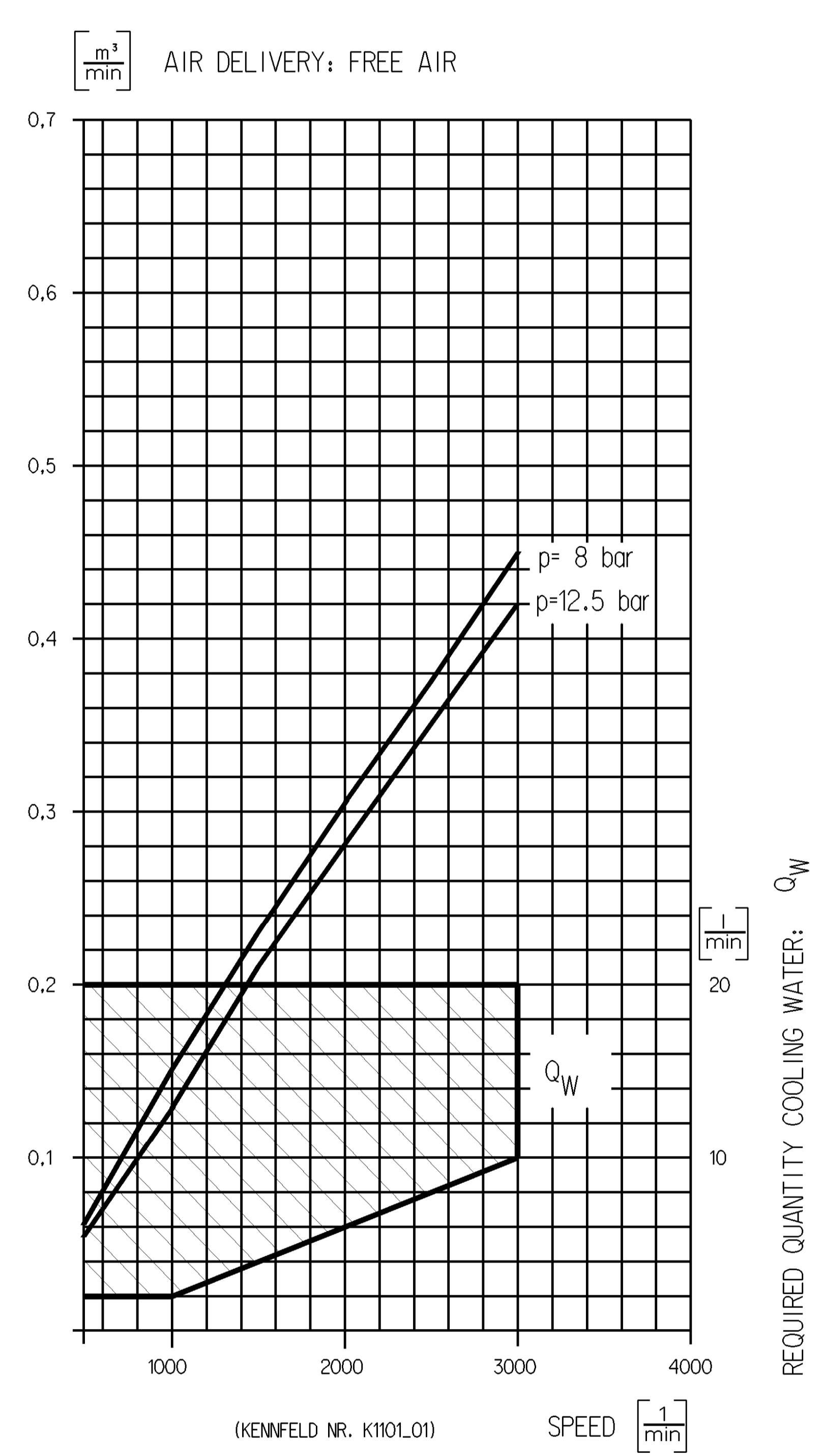


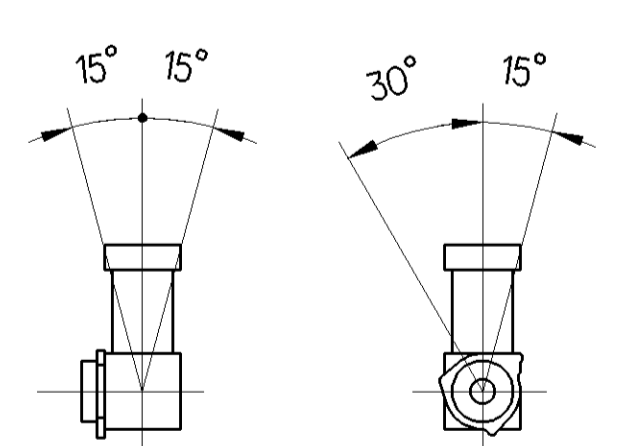
C TORQUE: 100 ± 10 Nm
 ROTATION ANGLE: 90° +10° -5°
 THE GEAR HAS TO BE LOCKED AGAINST ROTATION AT THE OUTER DIAMETER.
 THE CRANKSHAFT HAS TO BE LOCKED AGAINST ROTATION AT THE HUB FOR THE POWER-STEERING-PUMP (ca. 130 Nm).



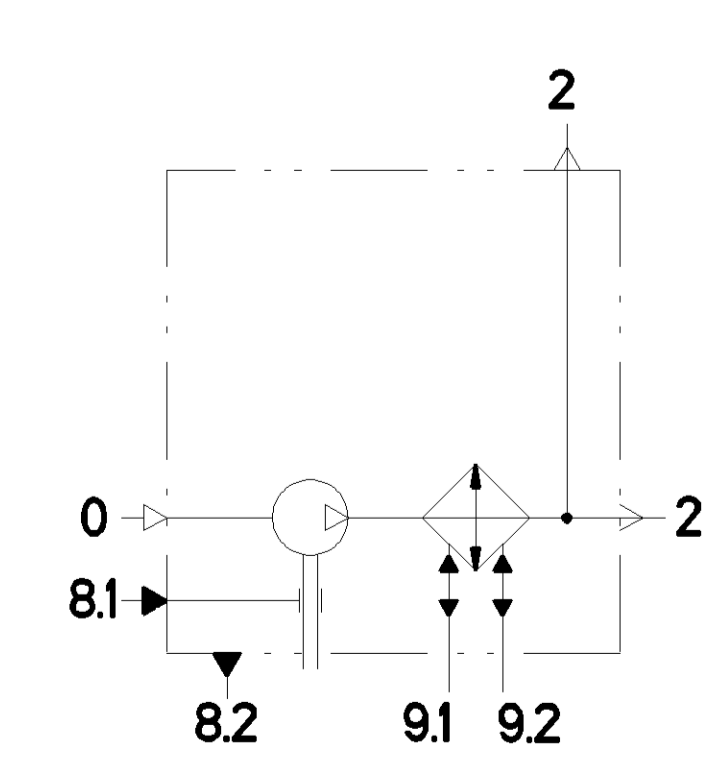
WORKING MEDIUM	AIR
COOLANT	WATER WITH ANTIFREEZE
BORE	∅ 85 mm
STROKE	42 mm
SWEPT VOLUME	238 cm ³
MAX. WORKING SPEED	n _{max} = 3000 min ⁻¹
OVERSPEED (MAX. 4 SEC.)	n _{ue} = 1.3 x n _{max}
MAX. WORKING PRESSURE	p _e = 12.5 bar
MAX. PRESSURE AT PRESSURE PORT	p _e = 16 bar
MAX. PERMISSIBLE PRESSURE TEMPERATURE IN SERVICE	200 °C
END PLAY OF CRANKSHAFT	0.15 ... 0.38 mm
LUBRICATION SUPPLIED FROM ENGINE	
FREE FROM ASBESTOS	



MAX. PERMISSIBLE TILT DURING CONTINUOUS WORKING



0	SUCTION PORT	M ≤ 100 Nm
2	DISCHARGE PORT	M ≤ 100 Nm
8.1	OIL SUPPLY	
8.2	OIL DRAIN	
9.1	COOLANT CONNECTION	M ≤ 35 Nm
9.2	COOLANT CONNECTION	M ≤ 35 Nm



9.1 ↔ 9.2 DIRECTIONS OF FLOW

** ALSO VALID FOR PRI: 037, 003, 105, 008.

LABELING INFORMATION TABLE (SEE ALSO DOC.922)		
PRODUCTION SITE	LABEL	LABEL ID NUMBER
048 **	①	899 050 145 4

General Specifications	JED-354-0	Copyright WABCO®	WABCO
Further Technical Data	912 116 000 0	Title	System
Doc. Code	588	Drawn	System
Revision	2017-03-06	Checked	Trokojo
General Tolerances	ISO 2011	Released	Skoboson
Class	1	Scale	1:1
Material	Steel	Medium	X
Coarse	1.0	Fin	2.0
Surface	2.0	Surface	3.0
Tap	3.0	Surface	4.0
Surface	4.0	Surface	5.0
Surface	5.0	Surface	6.5
Surface	6.5	Surface	8.0
Surface	8.0	Surface	10.0
Surface	10.0	Surface	12.5
Surface	12.5	Surface	15.0
Surface	15.0	Surface	20.0
Surface	20.0	Surface	25.0
Surface	25.0	Surface	30.0
Surface	30.0	Surface	40.0
Surface	40.0	Surface	50.0
Surface	50.0	Surface	63.0
Surface	63.0	Surface	80.0
Surface	80.0	Surface	100.0
Surface	100.0	Surface	125.0
Surface	125.0	Surface	160.0
Surface	160.0	Surface	200.0
Surface	200.0	Surface	250.0
Surface	250.0	Surface	315.0
Surface	315.0	Surface	400.0
Surface	400.0	Surface	500.0
Surface	500.0	Surface	630.0
Surface	630.0	Surface	800.0
Surface	800.0	Surface	1000.0
Surface	1000.0	Surface	1250.0
Surface	1250.0	Surface	1600.0
Surface	1600.0	Surface	2000.0
Surface	2000.0	Surface	2500.0
Surface	2500.0	Surface	3150.0
Surface	3150.0	Surface	4000.0
Surface	4000.0	Surface	5000.0
Surface	5000.0	Surface	6300.0
Surface	6300.0	Surface	8000.0
Surface	8000.0	Surface	10000.0
Surface	10000.0	Surface	12500.0
Surface	12500.0	Surface	16000.0
Surface	16000.0	Surface	20000.0
Surface	20000.0	Surface	25000.0
Surface	25000.0	Surface	31500.0
Surface	31500.0	Surface	40000.0
Surface	40000.0	Surface	50000.0
Surface	50000.0	Surface	63000.0
Surface	63000.0	Surface	80000.0
Surface	80000.0	Surface	100000.0
Surface	100000.0	Surface	125000.0
Surface	125000.0	Surface	160000.0
Surface	160000.0	Surface	200000.0
Surface	200000.0	Surface	250000.0
Surface	250000.0	Surface	315000.0
Surface	315000.0	Surface	400000.0
Surface	400000.0	Surface	500000.0
Surface	500000.0	Surface	630000.0
Surface	630000.0	Surface	800000.0
Surface	800000.0	Surface	1000000.0
Surface	1000000.0	Surface	1250000.0
Surface	1250000.0	Surface	1600000.0
Surface	1600000.0	Surface	2000000.0
Surface	2000000.0	Surface	2500000.0
Surface	2500000.0	Surface	3150000.0
Surface	3150000.0	Surface	4000000.0
Surface	4000000.0	Surface	5000000.0
Surface	5000000.0	Surface	6300000.0
Surface	6300000.0	Surface	8000000.0
Surface	8000000.0	Surface	10000000.0
Surface	10000000.0	Surface	12500000.0
Surface	12500000.0	Surface	16000000.0
Surface	16000000.0	Surface	20000000.0
Surface	20000000.0	Surface	25000000.0
Surface	25000000.0	Surface	31500000.0
Surface	31500000.0	Surface	40000000.0
Surface	40000000.0	Surface	50000000.0
Surface	50000000.0	Surface	63000000.0
Surface	63000000.0	Surface	80000000.0
Surface	80000000.0	Surface	100000000.0
Surface	100000000.0	Surface	125000000.0
Surface	125000000.0	Surface	160000000.0
Surface	160000000.0	Surface	200000000.0
Surface	200000000.0	Surface	250000000.0
Surface	250000000.0	Surface	315000000.0
Surface	315000000.0	Surface	400000000.0
Surface	400000000.0	Surface	500000000.0
Surface	500000000.0	Surface	630000000.0
Surface	630000000.0	Surface	800000000.0
Surface	800000000.0	Surface	1000000000.0
Surface	1000000000.0	Surface	1250000000.0
Surface	1250000000.0	Surface	1600000000.0
Surface	1600000000.0	Surface	2000000000.0
Surface	2000000000.0	Surface	2500000000.0
Surface	2500000000.0	Surface	3150000000.0
Surface	3150000000.0	Surface	4000000000.0
Surface	4000000000.0	Surface	5000000000.0
Surface	5000000000.0	Surface	6300000000.0
Surface	6300000000.0	Surface	8000000000.0
Surface	8000000000.0	Surface	10000000000.0
Surface	10000000000.0	Surface	12500000000.0
Surface	12500000000.0	Surface	16000000000.0
Surface	16000000000.0	Surface	20000000000.0
Surface	20000000000.0	Surface	25000000000.0
Surface	25000000000.0	Surface	31500000000.0
Surface	31500000000.0	Surface	40000000000.0
Surface	40000000000.0	Surface	50000000000.0
Surface	50000000000.0	Surface	63000000000.0
Surface	63000000000.0	Surface	80000000000.0
Surface	80000000000.0	Surface	100000000000.0
Surface	100000000000.0	Surface	125000000000.0
Surface	125000000000.0	Surface	160000000000.0
Surface	160000000000.0	Surface	200000000000.0
Surface	200000000000.0	Surface	250000000000.0
Surface	250000000000.0	Surface	315000000000.0
Surface	315000000000.0	Surface	400000000000.0
Surface	400000000000.0	Surface	500000000000.0
Surface	500000000000.0	Surface	630000000000.0
Surface	630000000000.0	Surface	800000000000.0
Surface	800000000000.0	Surface	1000000000000.0
Surface	1000000000000.0	Surface	1250000000000.0
Surface	1250000000000.0	Surface	1600000000000.0
Surface	1600000000000.0	Surface	2000000000000.0
Surface	2000000000000.0	Surface	2500000000000.0
Surface	2500000000000.0	Surface	3150000000000.0
Surface	3150000000000.0	Surface	4000000000000.0
Surface	4000000000000.0	Surface	5000000000000.0
Surface	5000000000000.0	Surface	6300000000000.0
Surface	6300000000000.0	Surface	8000000000000.0
Surface	8000000000000.0	Surface	10000000000000.0
Surface	10000000000000.0	Surface	12500000000000.0
Surface	12500000000000.0	Surface	16000000000000.0
Surface	16000000000000.0	Surface	20000000000000.0
Surface	20000000000000.0	Surface	25000000000000.0
Surface	25000000000000.0	Surface	31500000000000.0
Surface	31500000000000.0	Surface	40000000000000.0
Surface	40000000000000.0	Surface	50000000000000.0
Surface	50000000000000.0	Surface	63000000000000.0
Surface	63000000000000.0	Surface	80000000000000.0
Surface	80000000000000.0	Surface	100000000000000.0
Surface	100000000000000.0	Surface	125000000000000.0
Surface	125000000000000.0	Surface	160000000000000.0
Surface	160000000000000.0	Surface	200000000000000.0
Surface	200000000000000.0	Surface	250000000000000.0
Surface	250000000000000.0	Surface	315000000000000.0
Surface	315000000000000.0	Surface	400000000000000.0
Surface	400000000000000.0	Surface	500000000000000.0
Surface	500000000000000.0	Surface	630000000000000.0
Surface	630000000000000.0	Surface	800000000000000.0
Surface	800000000000000.0	Surface	1000000000000000.0
Surface	1000000000000000.0	Surface	1250000000000000.0
Surface	1250000000000000.0	Surface	1600000000000000.0
Surface	1600000000000000.0	Surface	2000000000000000.0
Surface	2000000000000000.0	Surface	2500000000000000.0
Surface	2500000000000000.0	Surface	3150000000000000.0
Surface	3150000000000000.0	Surface	4000000000000000.0
Surface	4000000000000000.0	Surface	5000000000000000.0
Surface	5000000000000000.0	Surface	6300000000000000.0
Surface	6300000000000000.0	Surface	8000000000000000.0
Surface	8000000000000000.0	Surface	10000000000000000.0
Surface	10000000000000000.0	Surface	12500000000000000.0
Surface	12500000000000000.0	Surface	16000000000000000.0
Surface	16000000000000000.0	Surface	20000000000000000.0
Surface	20000000000000000.0	Surface	25000000000000000.0
Surface	25000000000000000.0	Surface	31500000000000000.0
Surface	31500000000000000.0	Surface	40000000000000000.0
Surface	40000000000000000.0	Surface	50000000000000000.0
Surface	50000000000000000.0	Surface	63000000000000000.0
Surface	63000000000000000.0	Surface	80000000000000000.0
Surface	80000000000000000.0	Surface	100000000000000000.0
Surface	100000000000000000.0	Surface	125000000000000000.0
Surface	125000000000000000.0	Surface	160000000000000000.0
Surface	160000000000000000.0	Surface	200000000000000000.0
Surface	200000000000000000.0	Surface	250000000000000000.0
Surface	250000000000000000.0	Surface	315000000000000000.0
Surface	315000000000000000.0	Surface	400000000000000000.0
Surface	400000000000000000.0	Surface	500000000000000000.0
Surface	500000000		