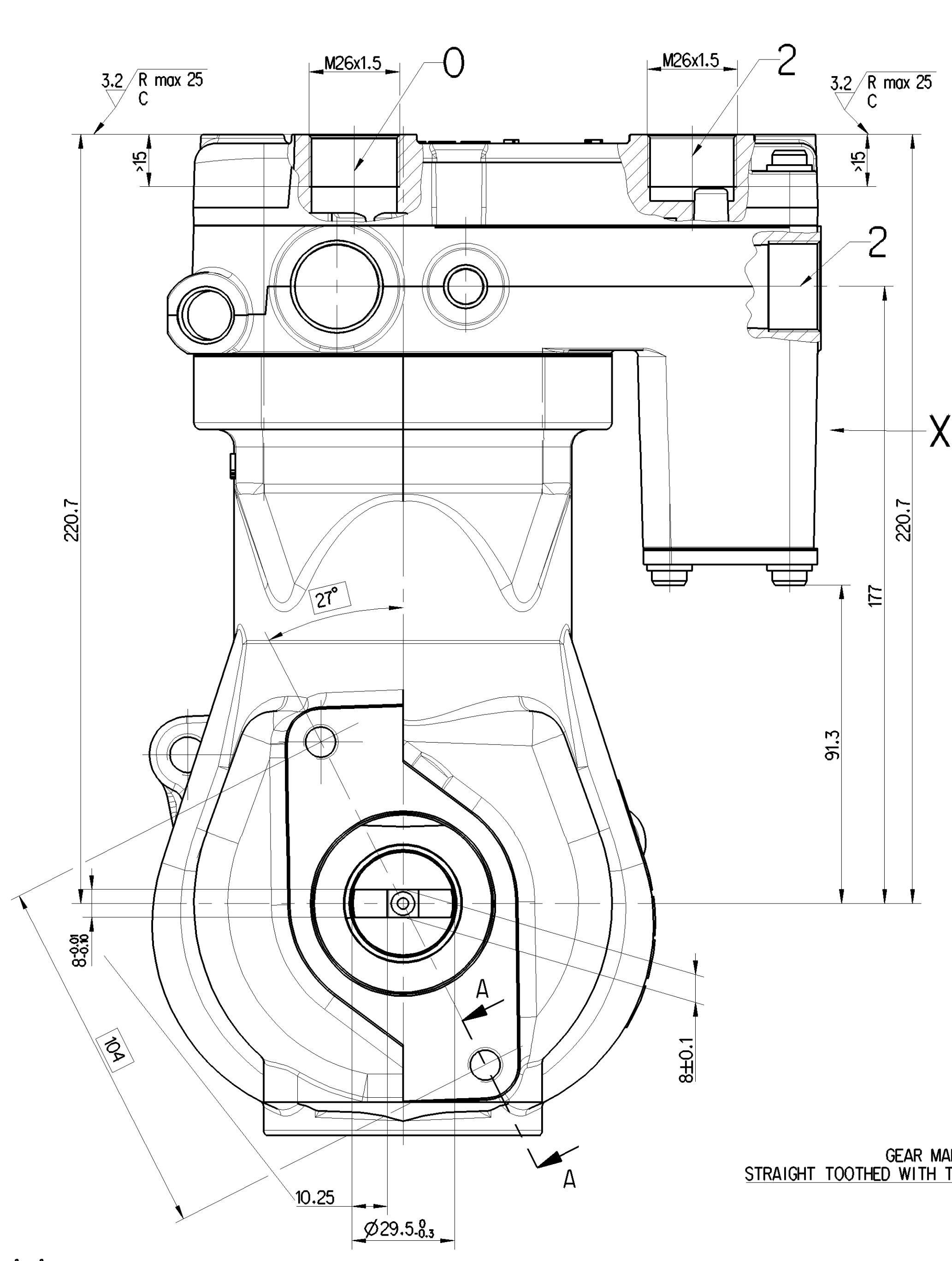
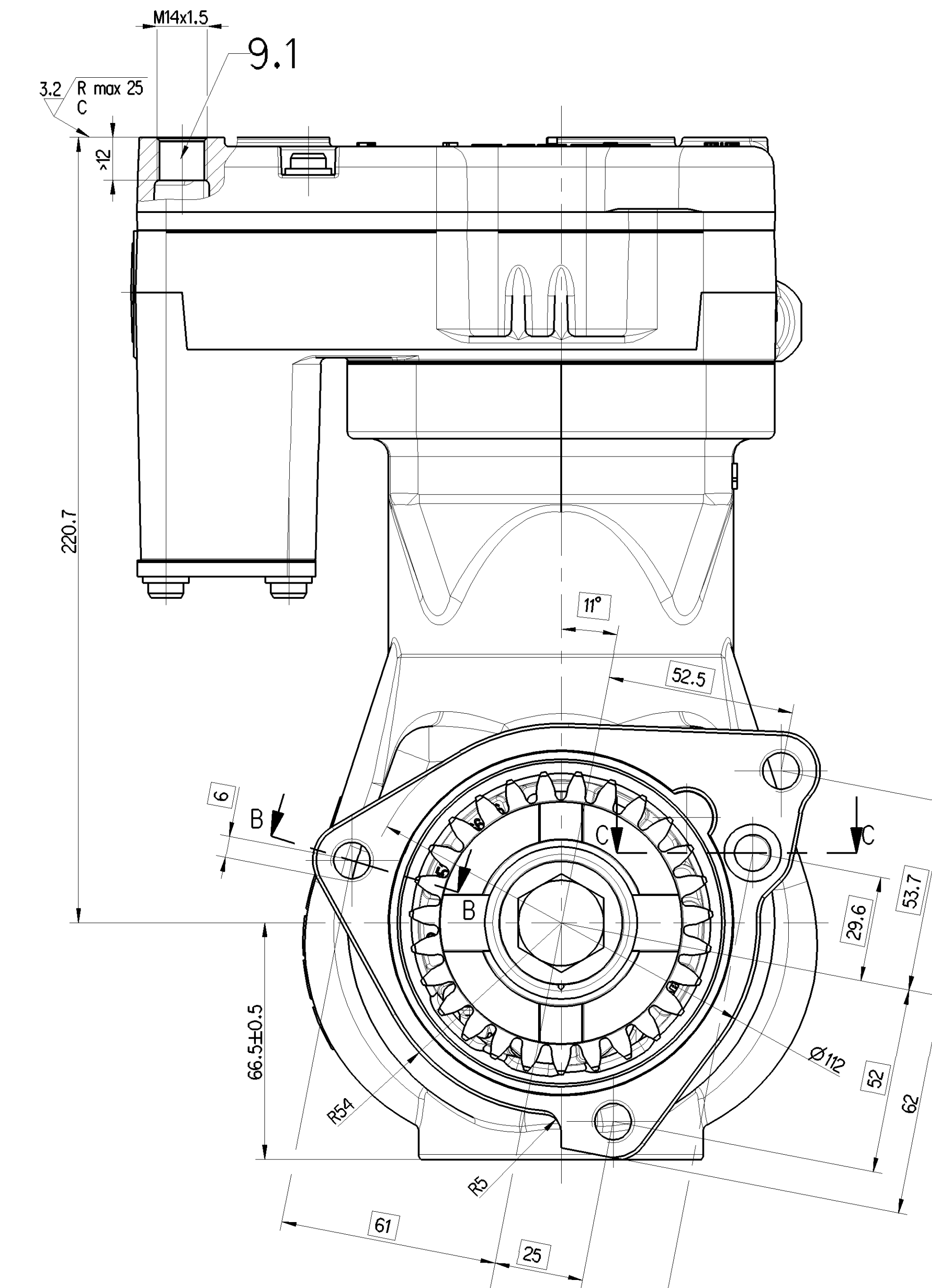
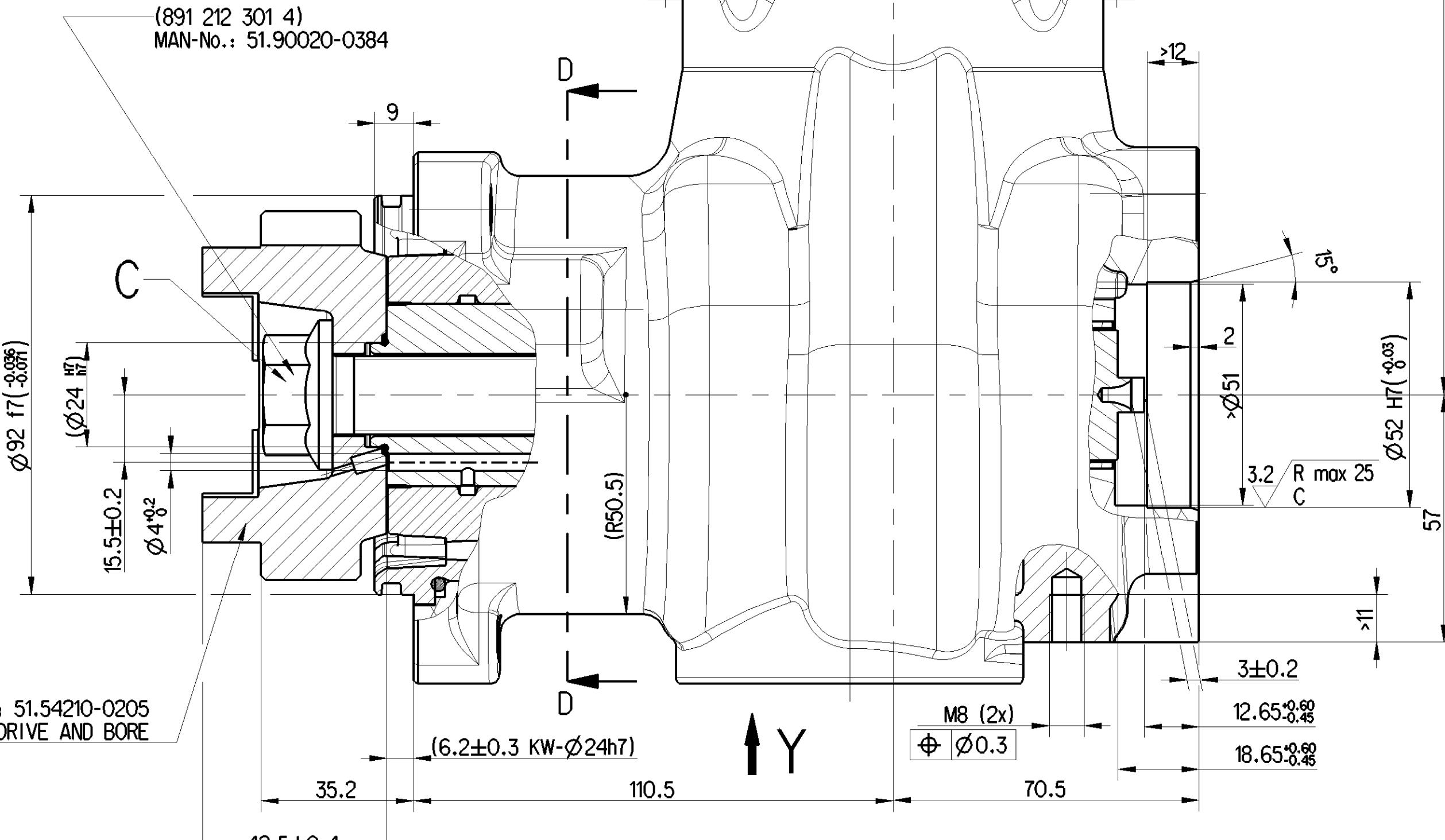


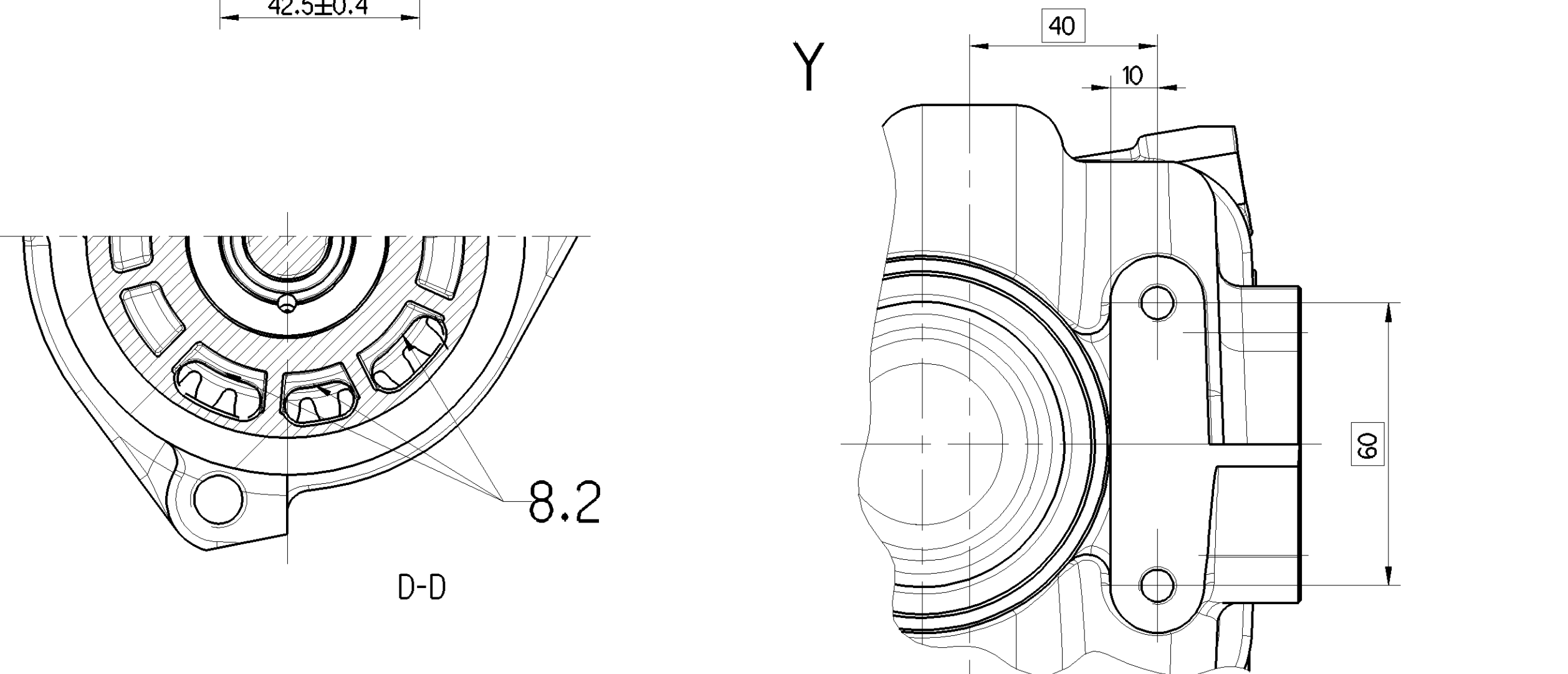
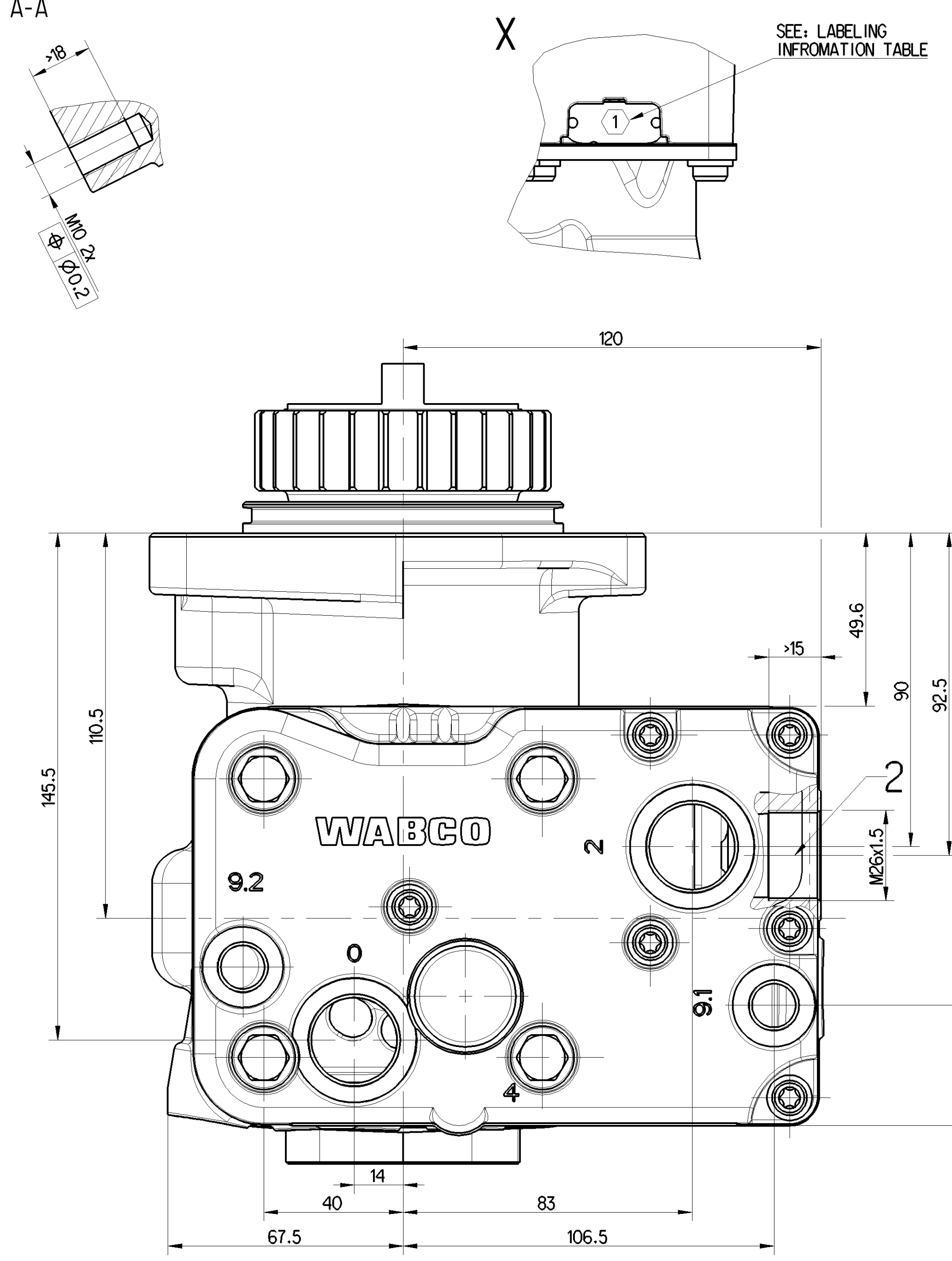
SAFETY CHARACTERISTICS	0
SIGNIFICANT CHARACTERISTICS	0
CUSTOMER INTERFACE	0



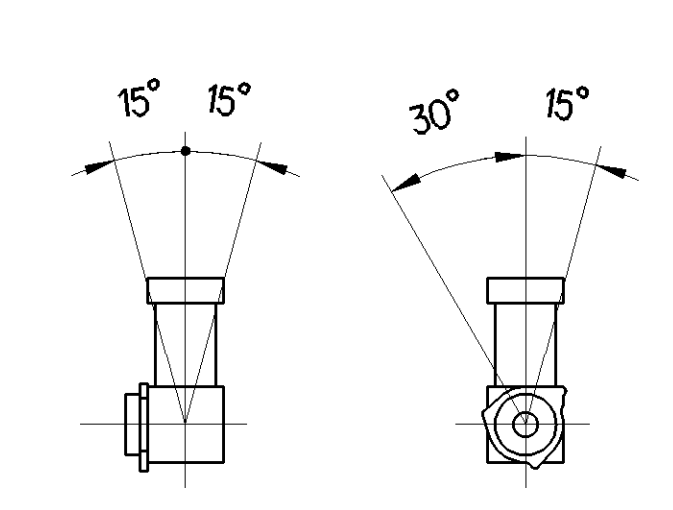
C TORQUE: 100 ± 10 Nm
 ROTATION ANGLE: 90° +10° -5°
 THE GEAR HAS TO BE LOCKED AGAINST ROTATION AT THE OUTER DIAMETER.
 THE CRANKSHAFT HAS TO BE LOCKED AGAINST ROTATION AT THE HUB FOR THE POWER-STEERING-PUMP (ca. 130 Nm).



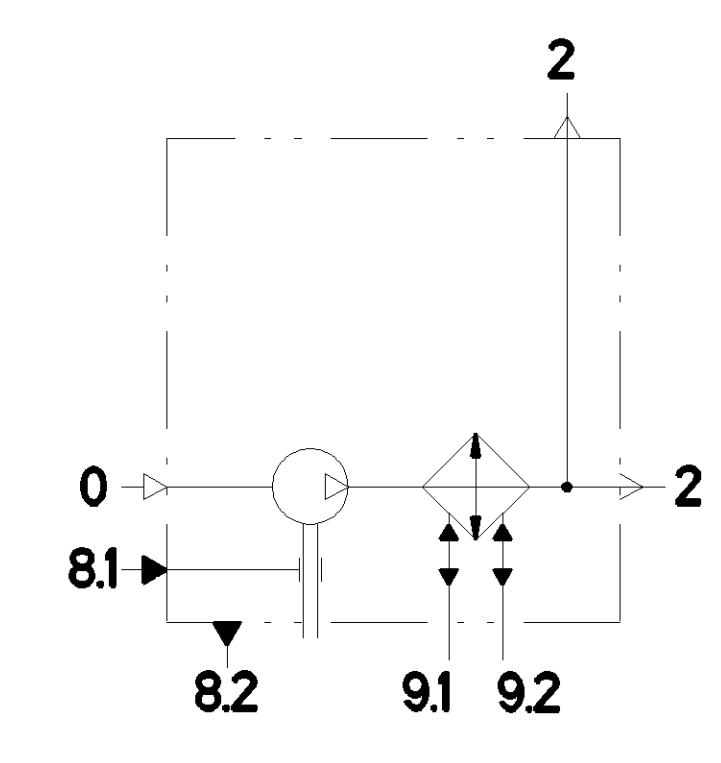
WORKING MEDIUM	AIR
COOLANT	WATER WITH ANTIFREEZE
BORE	∅ 85 mm
STROKE	62 mm
SWEPT VOLUME	352 cm ³
MAX. WORKING SPEED	n _{max} = 3000 min ⁻¹
OVERSPEED (MAX. 4 SEC.)	n _{ue} = 1.3 x n _{max}
MAX. WORKING PRESSURE	p _e = 12.5 bar
MAX. PRESSURE AT PRESSURE PORT	p _e = 16 bar
MAX. PERMISSIBLE PRESSURE TEMPERATURE IN SERVICE	220 °C
END PLAY OF CRANKSHAFT	0.15 ... 0.38 mm
LUBRICATION SUPPLIED FROM ENGINE	
FREE FROM ASBESTOS	



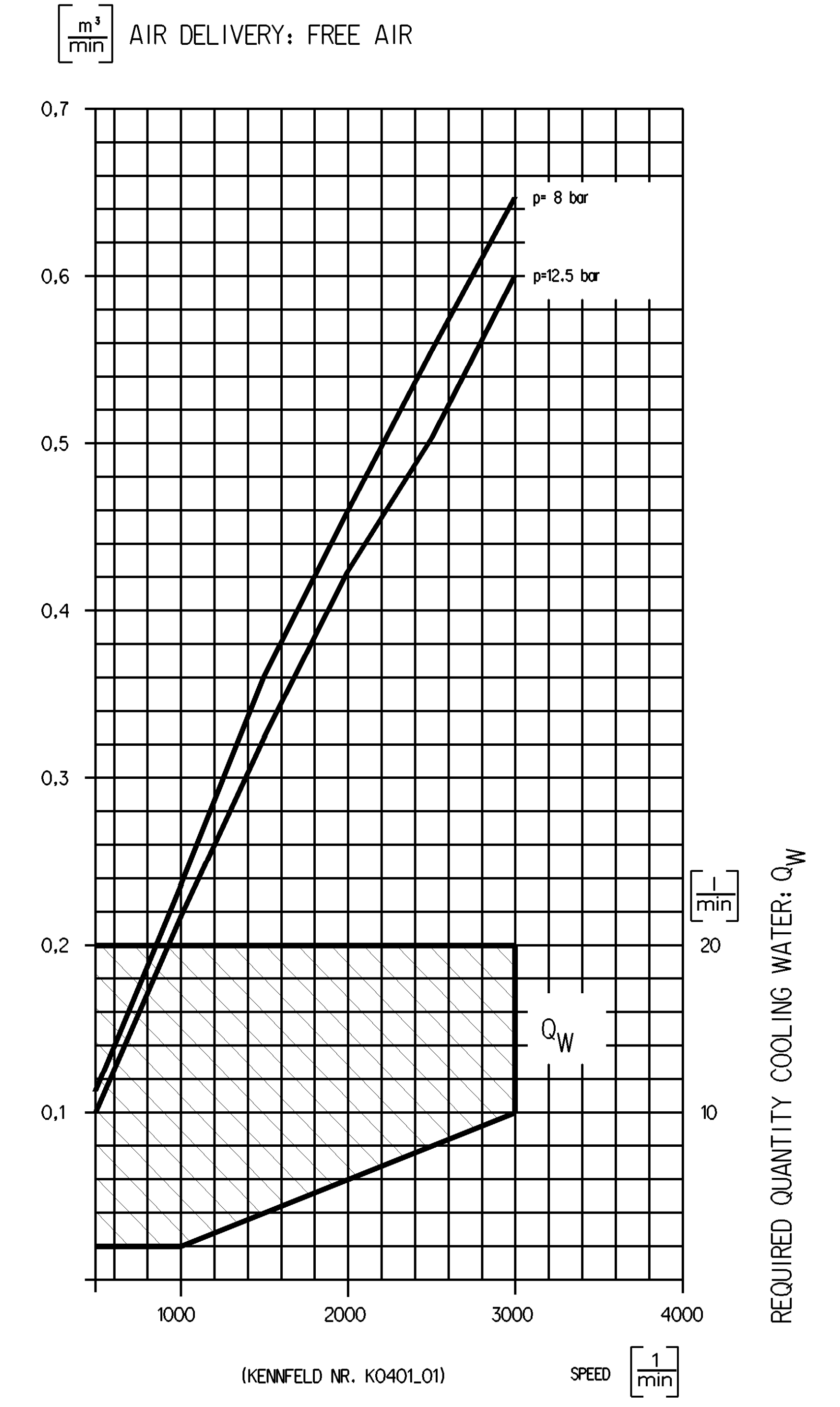
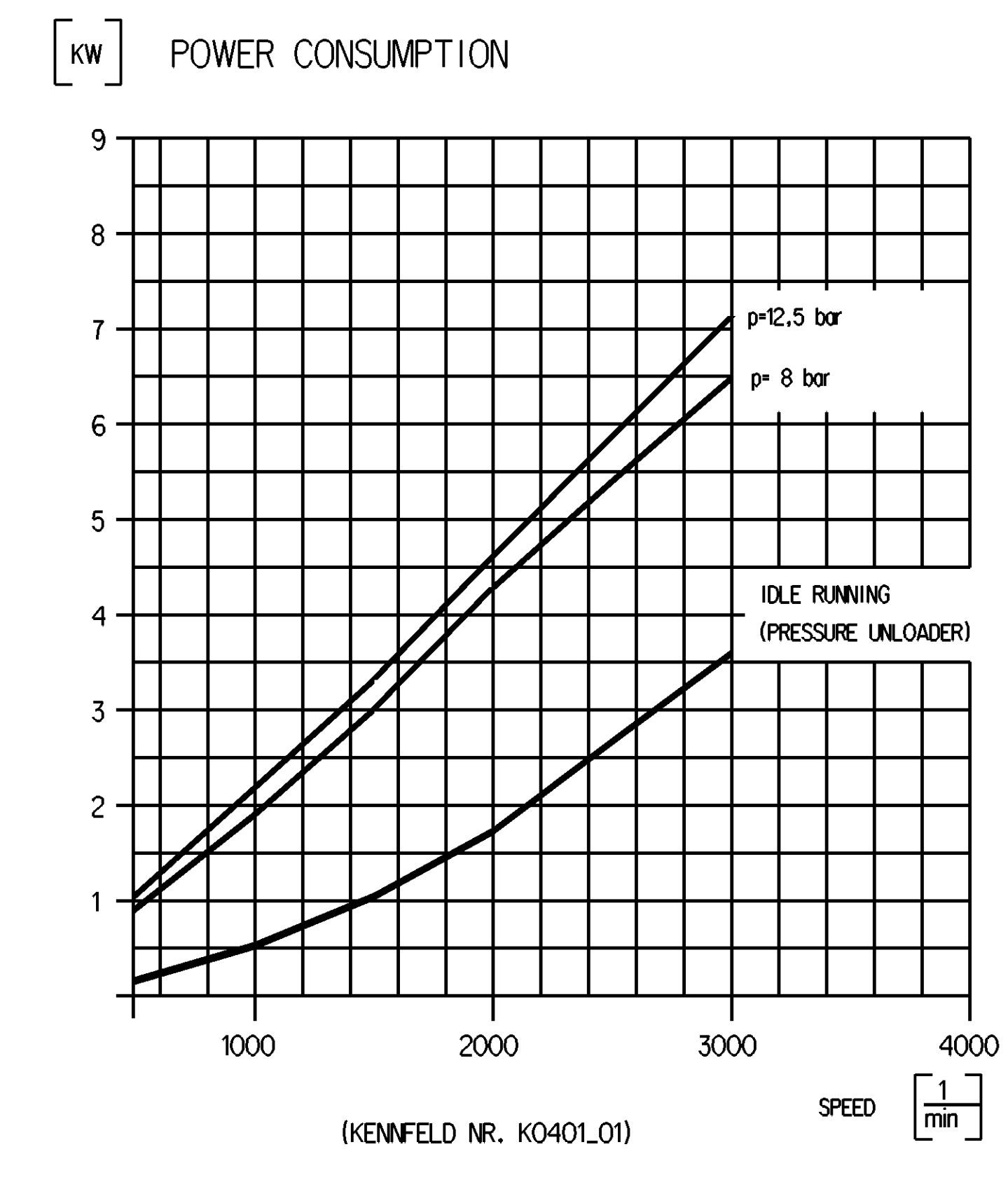
MAX. PERMISSIBLE TILT DURING CONTINUOUS WORKING



0	SUCTION PORT	M ≤ 100 Nm
2	DISCHARGE PORT	M ≤ 100 Nm
8.1	OIL SUPPLY	
8.2	OIL DRAIN	
9.1	COOLANT CONNECTION	M ≤ 35 Nm
9.2	COOLANT CONNECTION	M ≤ 35 Nm



9.1 ↔ 9.2 DIRECTIONS OF FLOW



** ALSO VALID FOR PRI: 037, 003, 105, 008.

LABELING INFORMATION TABLE (SEE ALSO DOC.922)			
PRODUCTION SITE	LABEL	LABEL ID NUMBER	LABEL LAYOUT
048 **	①	899 050 145 4	PRODUCTION DATE WABCO ID NUMBER

General Specifications: JED-354-0		Copyright WABCO®		WABCO	
Further Technical Data: 912 117 000 0		Title: System		SINGLE CYLINDER COMPRESSOR	
Doc. Code: 559		Date: 2019-09-03		Revision: 005	
General Tolerances: ISO 201		Drawing Code: Zygabo		Language: EN	
Range of Nominal Dimensions L (a mm):		Drawing Code: Ficzowski		Sheet: 1/1	
Class 1: 1-50	2-180	3-400	4-630	Date of 1st issue: 2019-09-03	
Class 2: 1-0.5	1.0-1.5	2.0-3.0	4.0-6.5	Doc. Code: 005	
Medium: X	1.0-2.0	3.0-4.0	4.0-6.5	EN 1/1	
Course: X	2.0-3.5	5.0-6.5	6.5-10	Replacement for:	
Tapped Holes acc.:		Revision: 005		Year: 2019	
Tapped Holes acc.:		Revision: 005		Year: 2019	