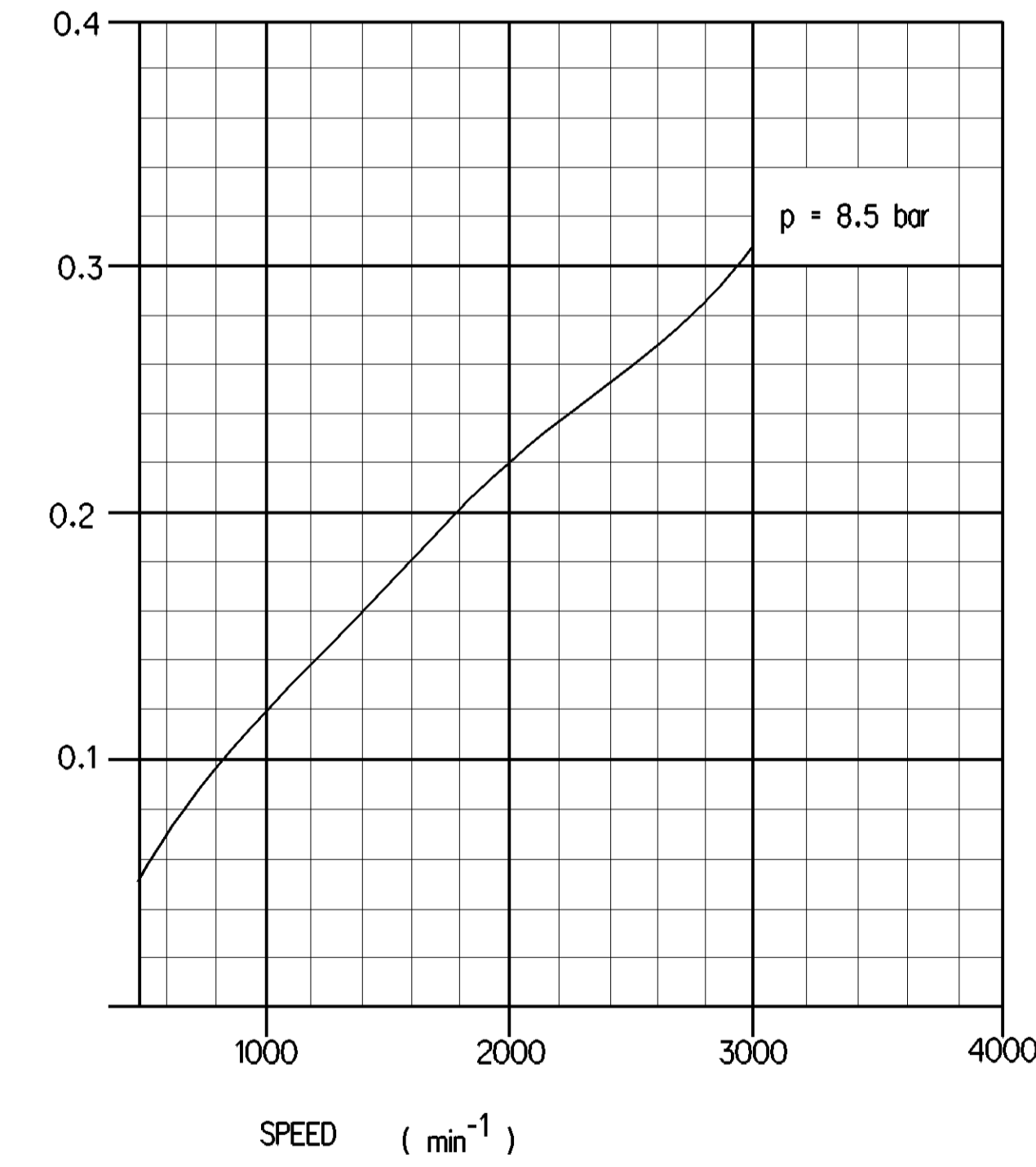
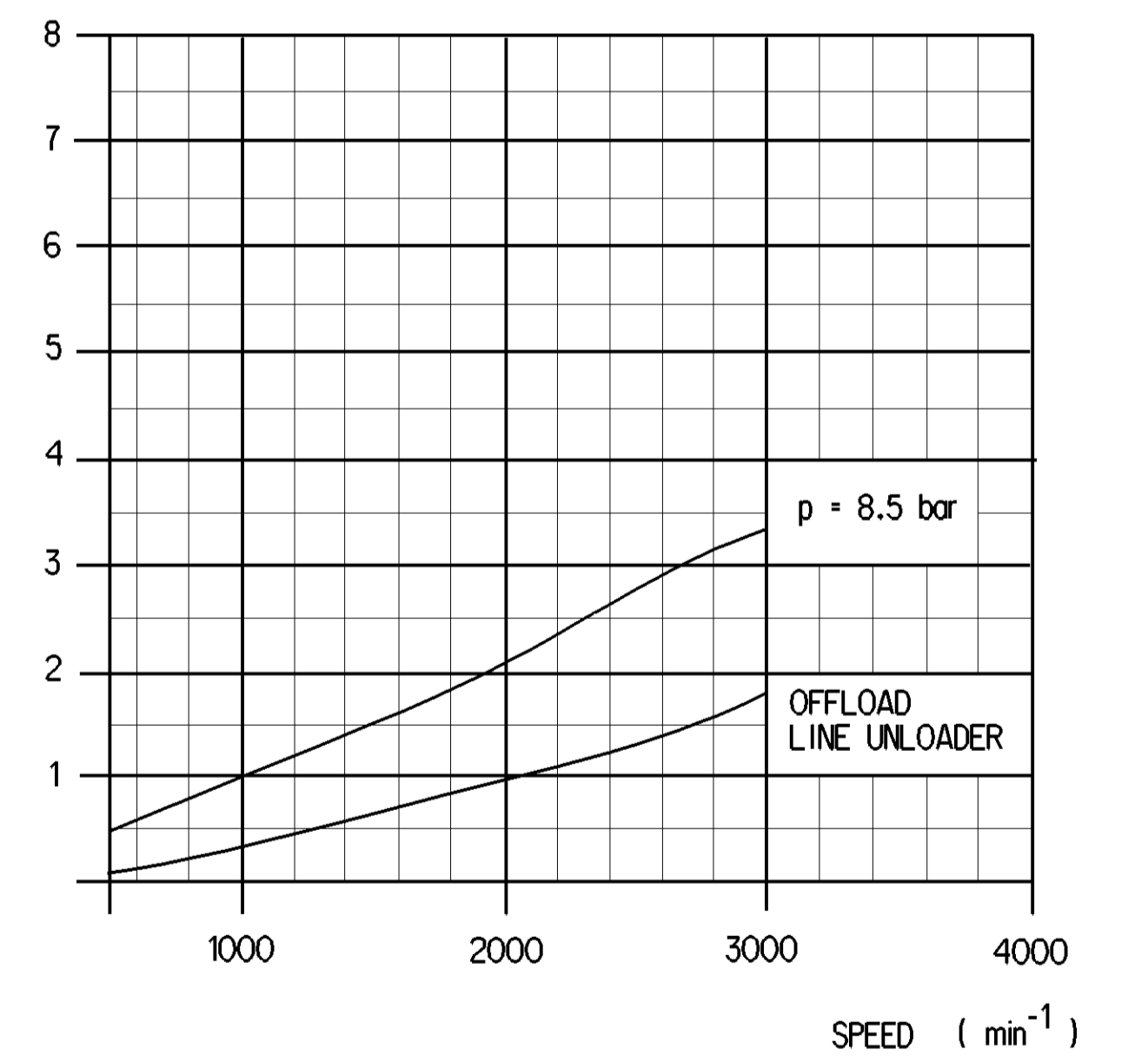


WORKING MEDIUM	AIR
COOLANT	WATER WITH ANTIFREEZE
BORE	Ø 85 mm
STROKE	42 mm
SWEPT VOLUME	238 cm <sup>3</sup>
MAX. WORKING SPEED	$n_{max} = 3000 \text{ min}^{-1}$
OVERSPEED (TEMPORARY MAX. 4 SEC.)	$n_{ue} = 1.3 \times n_{max}$
MAX. WORKING PRESSURE	$p = 8.5 \text{ bar}$
MAX. PRESSURE AT DISCHARGE PORT	$p = 10 \text{ bar}$
MAX. PRESSURE AT DISCHARGE PORT (TEMPORARILY ≤ 4 SEC.)	$p = 12 \text{ bar}$
COOLING - AIR FLOW	$V = 4 \text{ m/s min.}$
END PLAY OF CRANKSHAFT	0.1 ... 0.8 mm
LUBRICATION SUPPLIED FROM ENGINE	

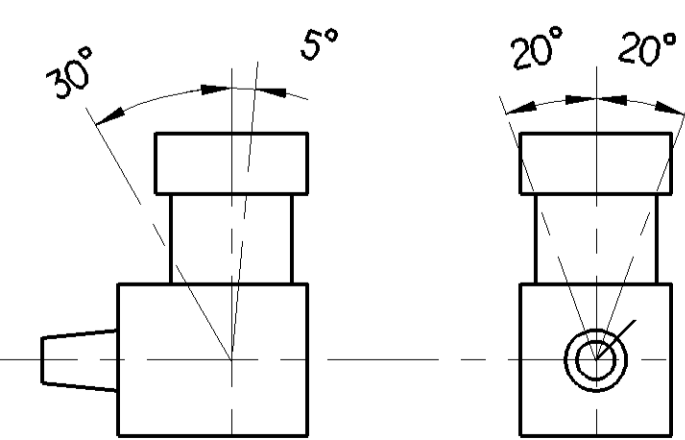
AIR DELIVERY : FREE AIR (OPEN INTAKE PORT) ± 5 %  
(m<sup>3</sup> / min)



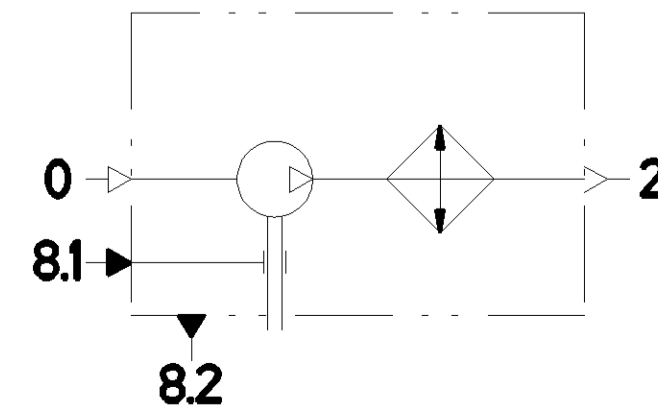
POWER CONSUMPTION (OPEN INTAKE PORT) ± 5 %  
( kW )



MAX. PERMISSIBLE TILT DURING CONTINUOUS WORKING



0	SUCTION PORT	M ≤ 100 Nm
2	DISCHARGE PORT	M ≤ 100 Nm
8.1	OIL SUPPLY	
8.2	OIL DRAIN	



(...) AUXILIARY DIMENSION

\*\* ALSO VALID FOR PRI: 037, 003

LABELING INFORMATION TABLE (SEE ALSO DOC.922)			
PRODUCTION SITE	LABEL	LABEL ID NUMBER	LABEL LAYOUT
PRI 048 **	①	899 050 145 4	
PRODUCTION DATE			
WABCO ID NUMBER			

General Specifications: JED-354-0  
Further Technical Data: 912 124 000 R (A)Doc. Code: 005  
Series: 2018-07-17 Zygozko  
Date of 1st issue: 2018-07-17 Zygozko  
Date of revision: 2018-07-18 Ficzorski  
Revision: 1  
Drawing No.: 912 124 000 R  
Date of 1st issue: 2018-07-17  
Date of revision: 2018-07-18  
Scale: 1:1  
Standard: ISO 9001  
Material: Steel  
Preparation for: 005 EN 1/1  
Author: A O  
Checked: GEO  
Released: 17782  
Date: 2019

Copyright WABCO®  
Title: Single Cylinder  
Year: 2018-07-17  
Author: Zygozko  
Date of 1st issue: 2018-07-17  
Date of revision: 2018-07-18  
Revision: 1  
Drawing No.: 912 124 000 R  
Date of 1st issue: 2018-07-17  
Date of revision: 2018-07-18  
Scale: 1:1  
Standard: ISO 9001  
Material: Steel  
Preparation for: 005 EN 1/1  
Author: A O  
Checked: GEO  
Released: 17782  
Date: 2019

**WABCO**  
SINGLE CYLINDER COMPRESSOR