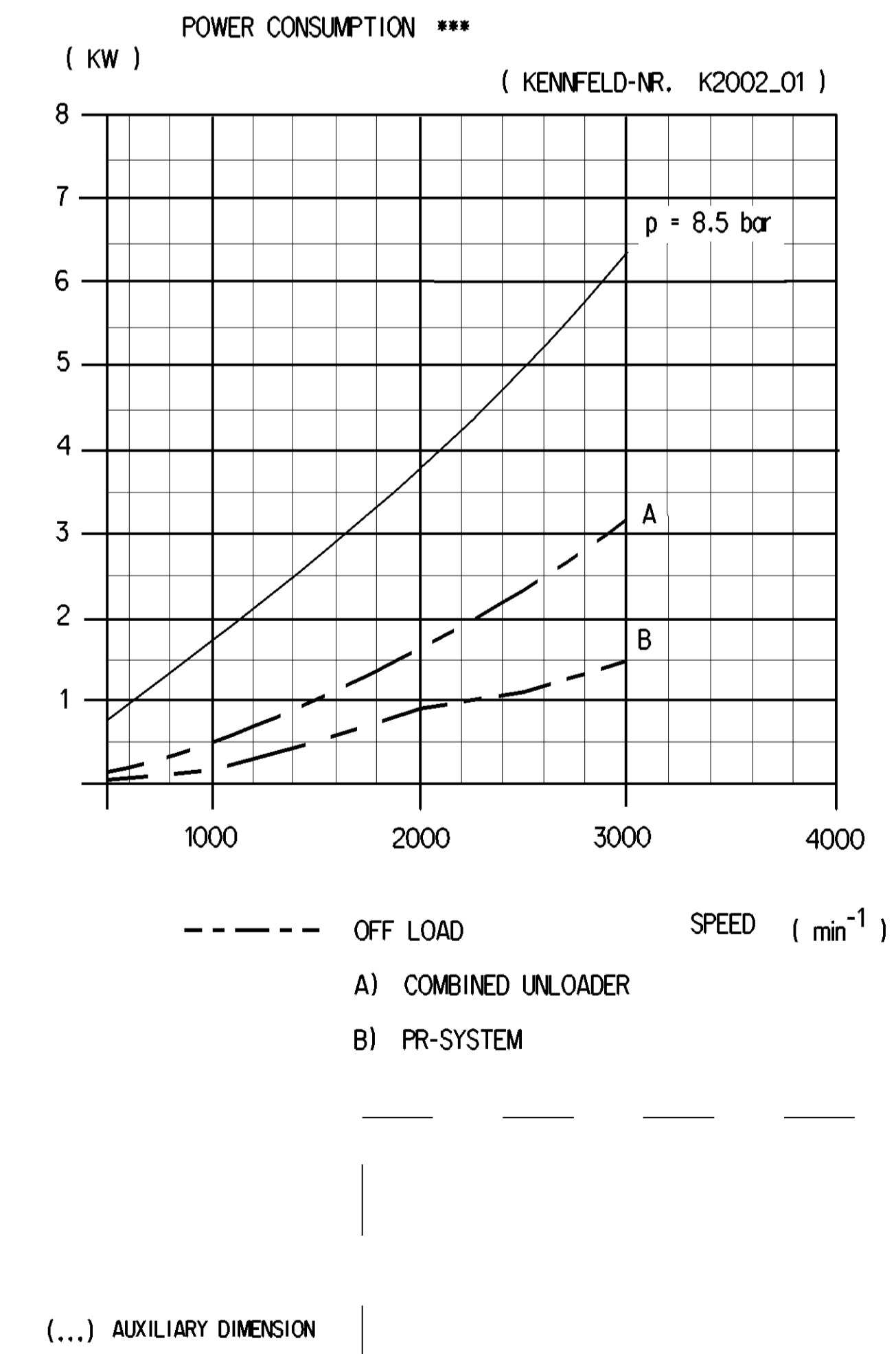
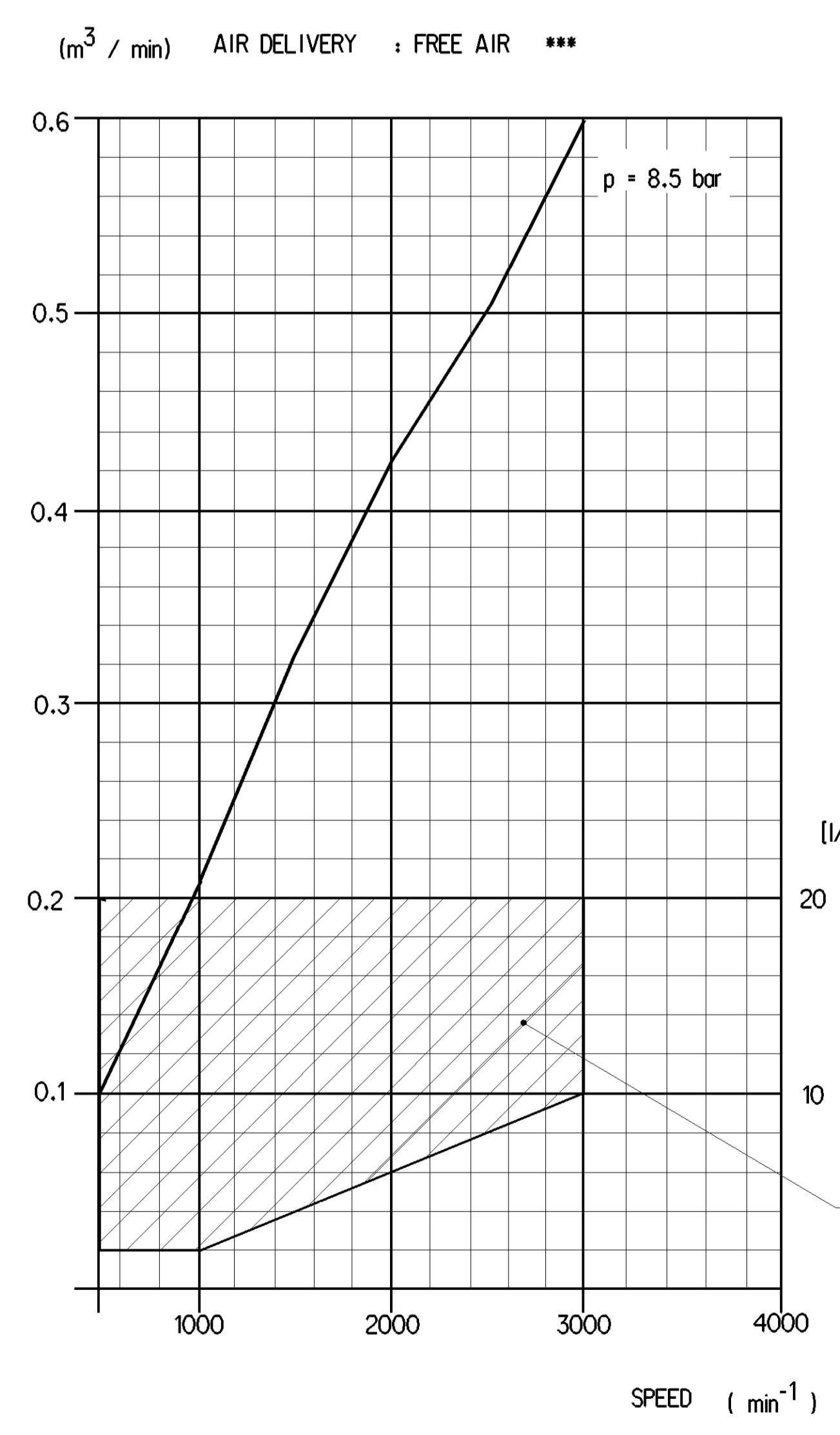
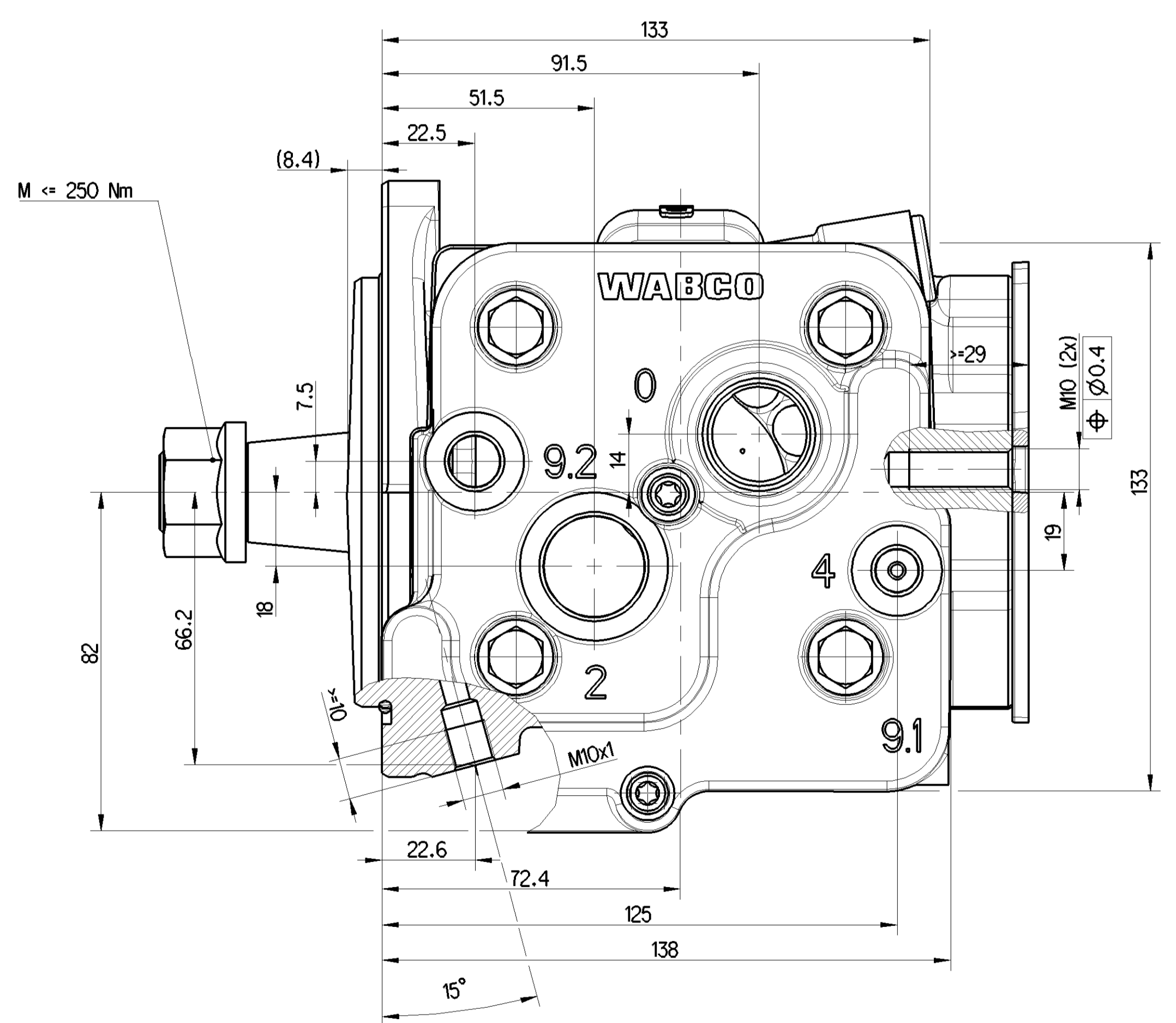


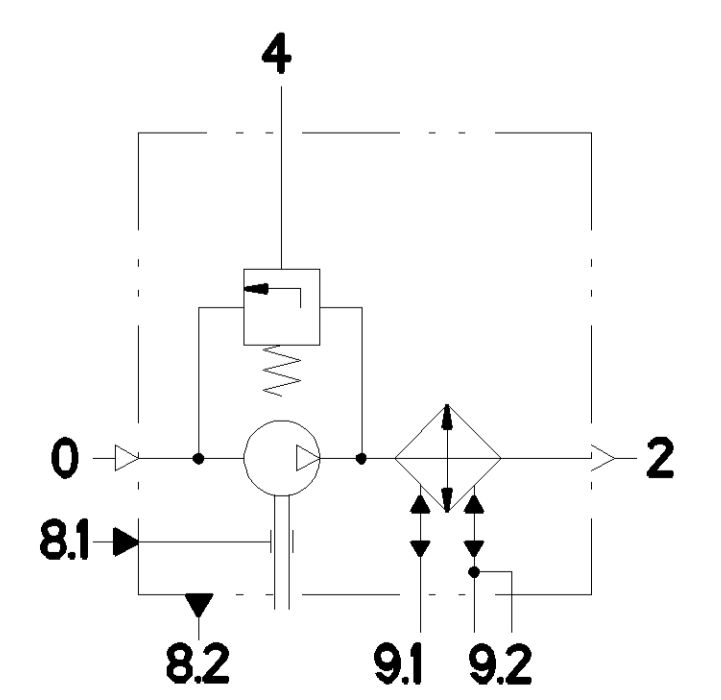
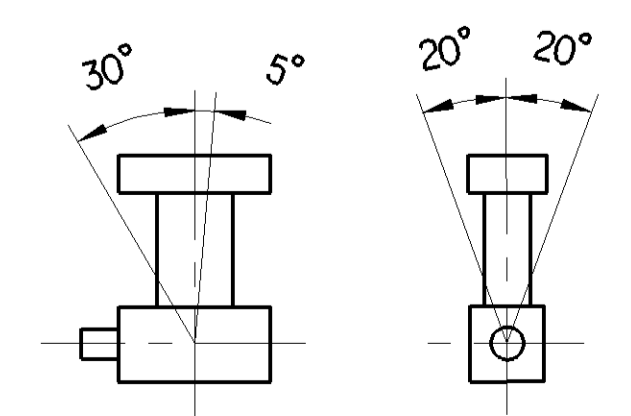
INTERNAL INVOLUTE SPLINE DATA ANSI B92.1-1970, CLASS 6 (FLAT ROOT SIDE FIT) . 11 TEETH

\*\*\* DIAGRAM FOR NATURALLY ASPIRATED COMPRESSOR ONLY

WORKING MEDIUM	AIR
COOLANT	WATER WITH ANTIFREEZE
BORE	Ø 85 mm
STROKE	56 mm
SWEPT VOLUME	318 cm <sup>3</sup>
MAX. WORKING SPEED	n <sub>max</sub> = 3000 min <sup>-1</sup>
OVERSPEED (TEMPORARY MAX. 4 SEC.)	n <sub>ue</sub> = 1.3 x n <sub>max</sub>
MAX. WORKING PRESSURE	p = 8.5 bar
MAX. PRESSURE AT DISCHARGE PORT	p = 10 bar
SHORT TERM PRESSURE (TEMPORARILY <= 4 SEC.)	p = 12 bar
WITH WATER-COOLING REQUIRED QUANTITY COOLING WATER	****
END PLAY OF CRANKSHAFT	0.005 ... 0.20 mm
LUBRICATION SUPPLIED FROM ENGINE	



MAX. PERMISSIBLE TILT DURING CONTINUOUS WORKING:



0	INLET PORT	
2	DISCHARGE PORT	M <= 100 Nm
8.1	OIL SUPPLY	M <= 15 Nm
8.2	OIL DRAIN	
9	COOLING CONNECTION	M <= 60 Nm
4	GOVERNOR PORT	

\*\* ALSO VALID FOR PRI: 037, 003

LABELING INFORMATION TABLE (SEE ALSO DOC.922)		
PRODUCTION SITE	LABEL	LABEL ID NUMBER
PRI 048 **	①	899 050 145 4

General Specifications: JED-354-0		Further Technical Data: 912 126 004 R (A)		Doc. Code: 4295		Date: 2018-07-18		Zyggabo		Fibzowski		WABCO	
Class to: 1, 50, 2, 180, 3, 180, 4, 400		Medium: X 1.0, 2.0, 3.0, 4.0, 5.0, 6.5		Course: 2.0, 3.5, 5.0, 6.5		Tapped Holes acc.:		Tapped Holes: A 0		Tolerance class: A		Material: EN 1.1	
Date of 1st issue: 2018-07-18		Date of 2nd issue: 2018-07-18		Date of 3rd issue: 2018-07-18		Date of 4th issue: 2018-07-18		Date of 5th issue: 2018-07-18		Date of 6th issue: 2018-07-18		Date of 7th issue: 2018-07-18	