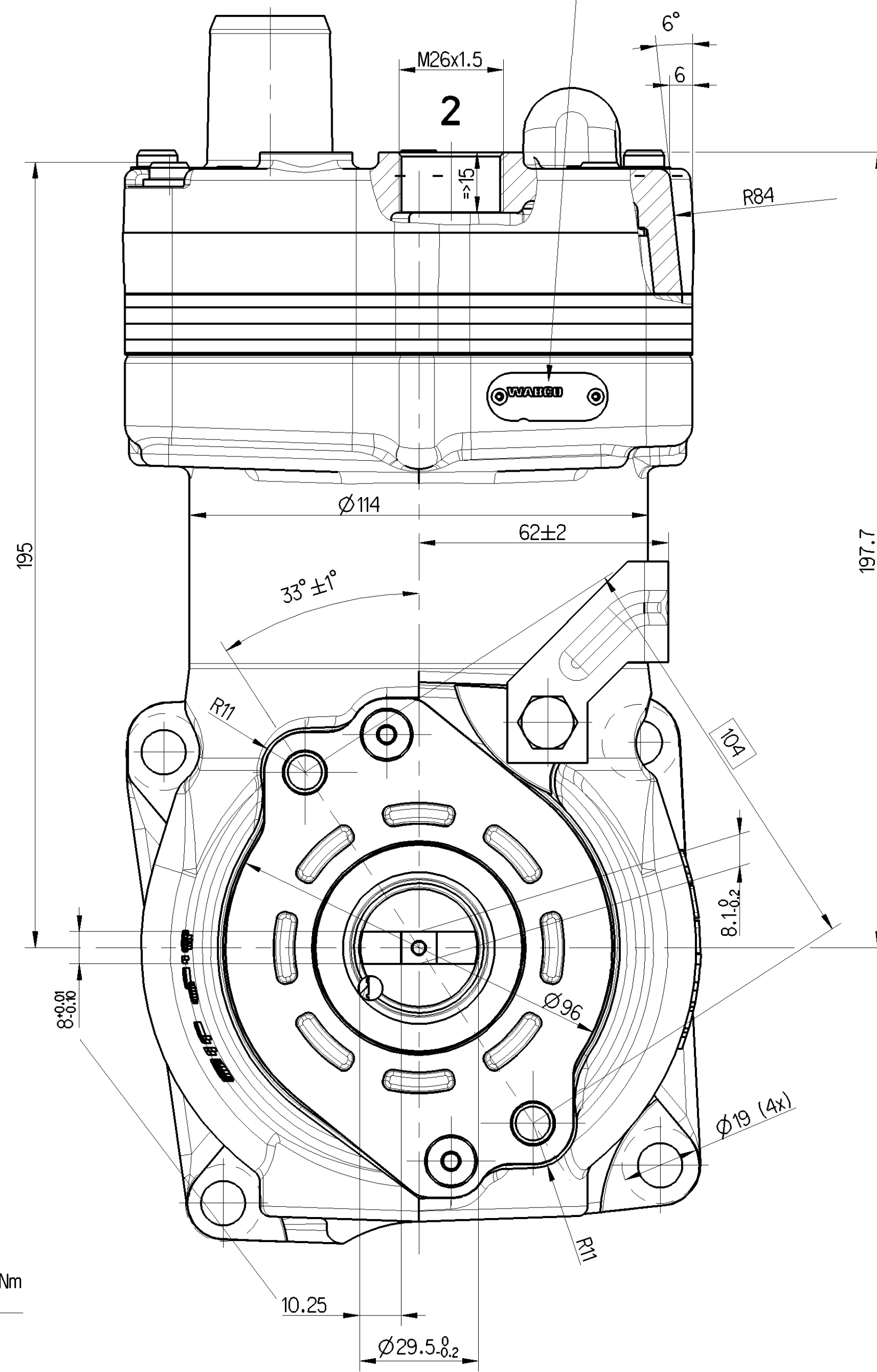


CUSTOMER-NO.: A 906 130 66 15 AND "ZGS" 002 STAMPED
KUNDEN-NR.: A 906 130 66 15 UND "ZGS" 002 GESTEMPELT



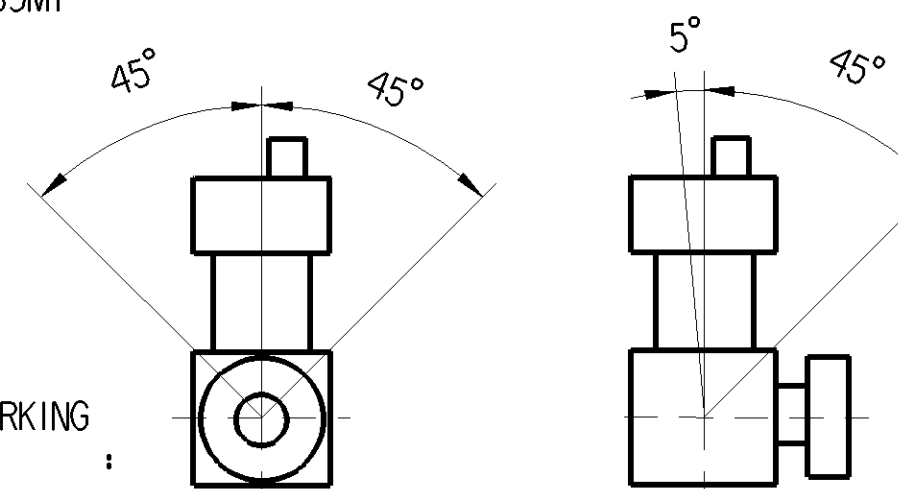
- WORKING MEDIUM : AIR LUF
- BETRIEBSMEDIUM : WASSER MIT FROSTSCHUTZ
- COOLANT KUEHLMEDIUM : WATER WITH ANTIFREEZE
- BORE : Ø 100 mm
- BOHRUNG : Ø 100 mm
- STROKE : 50mm
- HUB : 50mm
- SWEPT VOLUME : 393 cm³
- HUBRAUM : 393 cm³
- MAX. WORKING SPEED : n_{max} = 3000 min⁻¹
- MAX. BETRIEBSDREHZAH : n_{max} = 3000 min⁻¹
- OVERSPEED (TEMPORARILY < 4 Sec.) : n_{ue} = 1.3 x n_{max}
- UEBERDREHZAH (KURZZEITIG < 4 Sek.) : n_{ue} = 1.3 x n_{max}
- MAX. WORKING PRESSURE : p_e = 12.5 bar
- MAX. BETRIEBSDRUCK : p_e = 12.5 bar
- MAX. PRESSURE : p_e = 16 bar*
- HOECHSTDRUCK : p_e = 16 bar*

* MEASURING POINT : DISCHARGE PORT
MESSPUNKT : DRUCKANSCHLUSS

CYLINDER HEAD WITH TEMPERATURE REDUCTION
ZYLINDERKOPF MIT TEMPERATURREDUZIERUNG

LUBRICATION : LUBRICATION SUPPLIED FROM ENGINE
SCHMIERART : UMLAUFSCHEMUNG MIT DRUCKOELANSCHLUSS

CRANKCASE : SURFACE PROTECTION
KURBELGEHAEUSE : OBERFLAECHENSCHUTZ JED-069M1

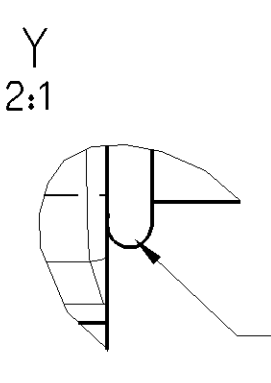
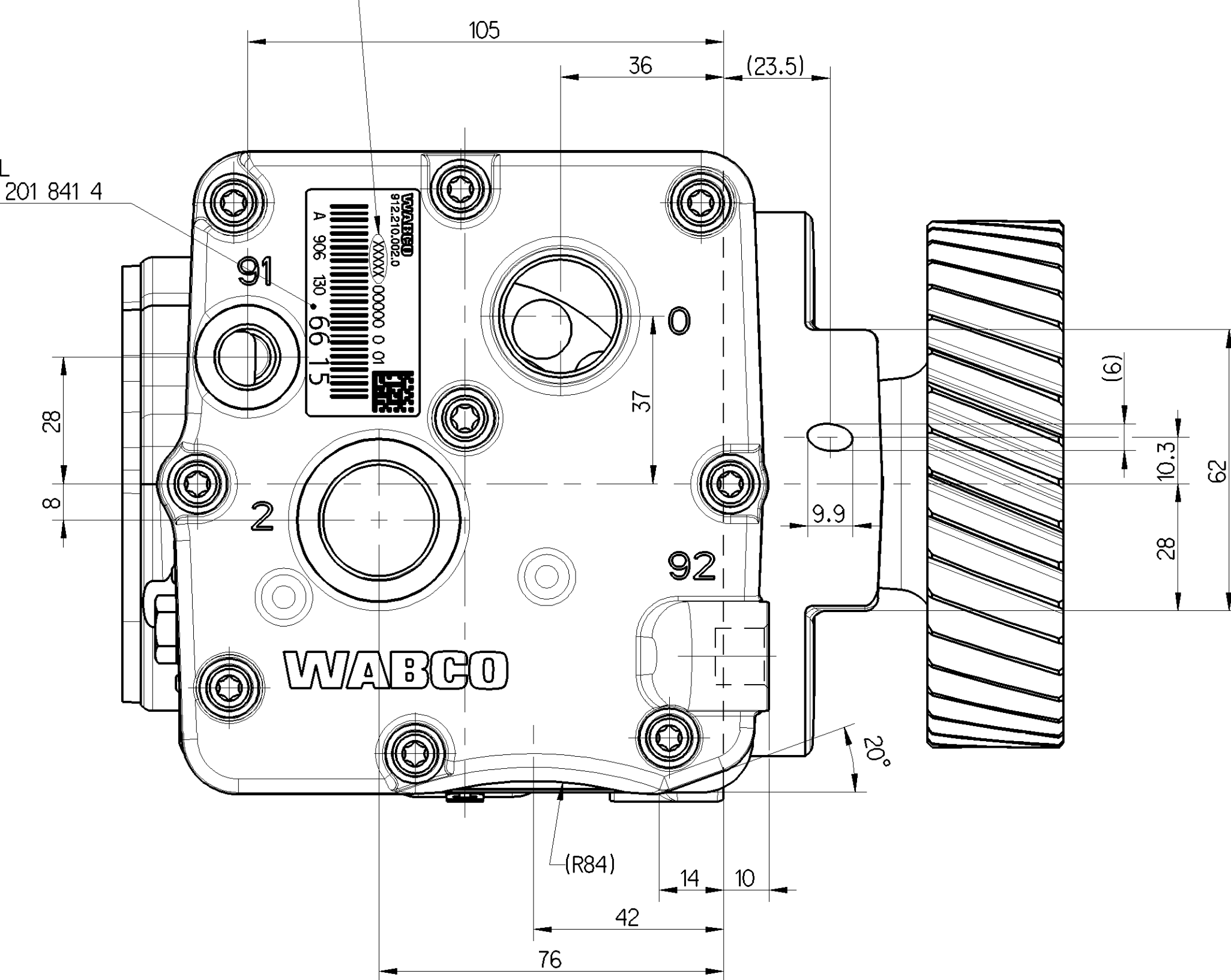


MAX. PERMISSIBLE TILT DURING CONTINUOUS WORKING
MAX. ZULAESSIGE NEIGUNG IM DAUERBETRIEB

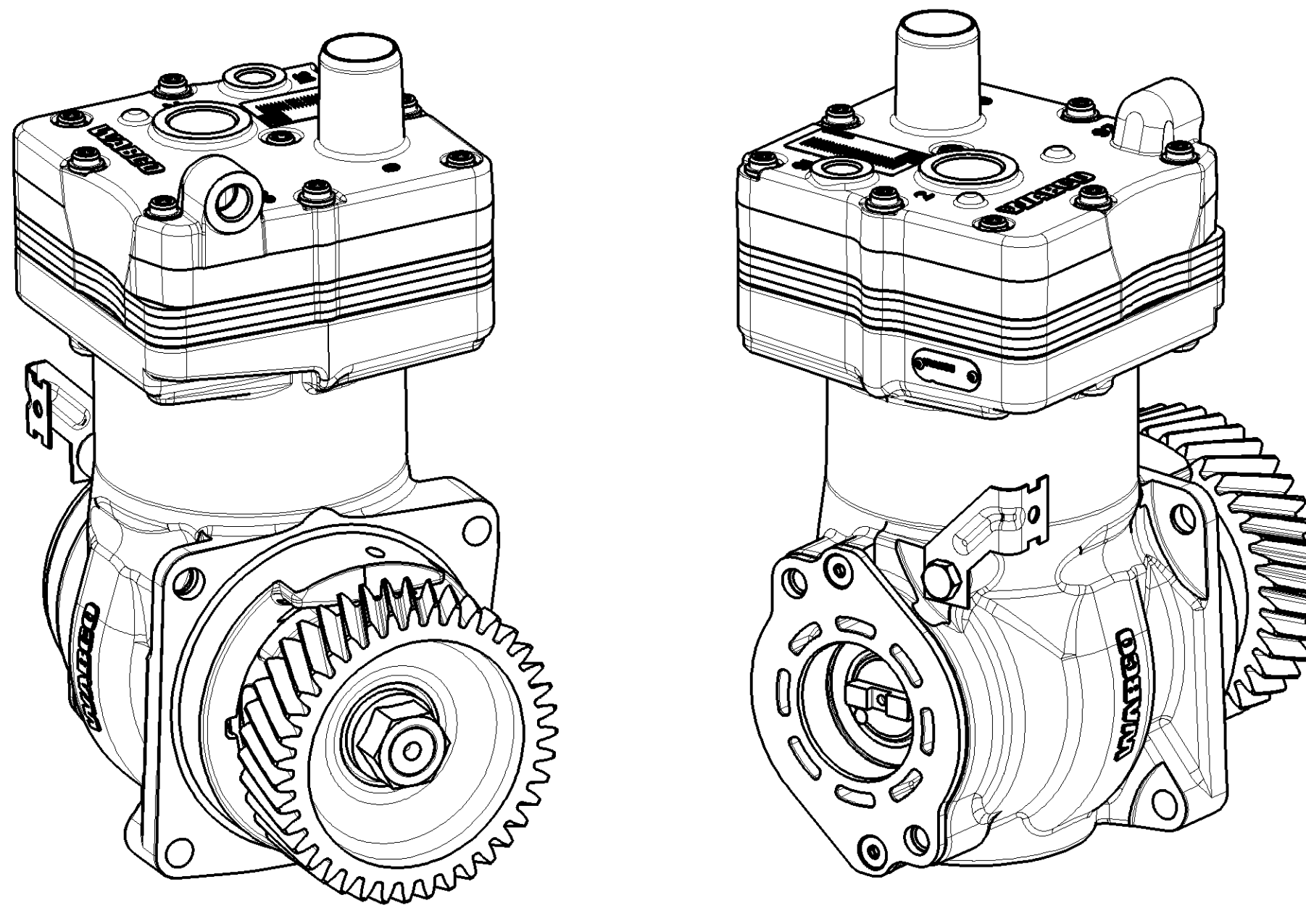
- 0 = INLET PORT SAUGANSCHLUSS
- 2 = DISCHARGE PORT DRUCKANSCHLUSS M : < 100 Nm
- 81 = OIL SUPPLY DRUCKOELANSCHLUSS
- 82 = OIL DRAIN OELRUECKLAUF
- 91 = COOLANT CONNECTION KUEHLMITTELANSCHLUSS M : < 35 Nm
- 92 = DIRECTION OF FLOW DURCHSTROMRICHTUNG

YEAR AND DAY OF MANUFACTURING
FERTIGUNGSAHR UND TAG

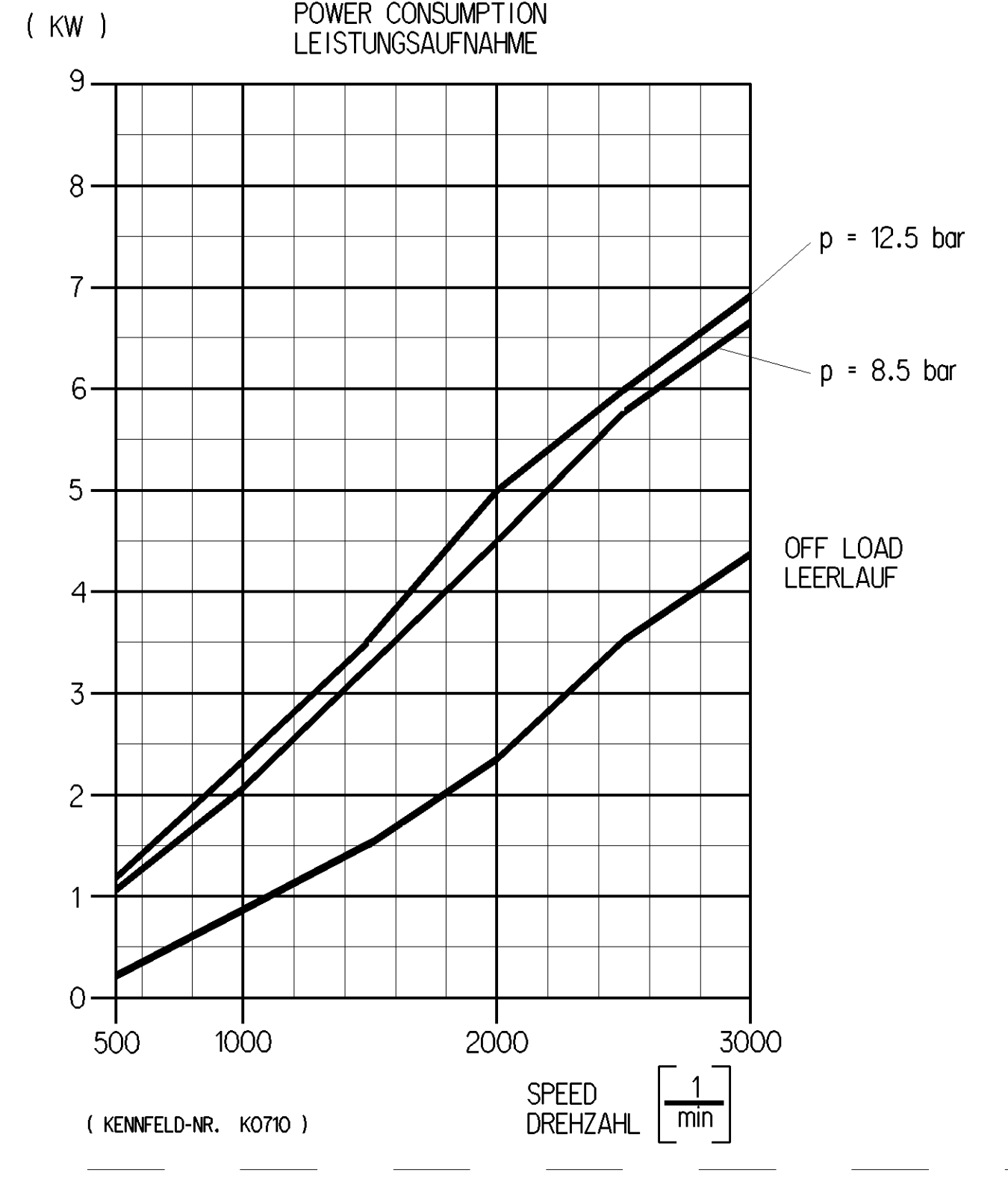
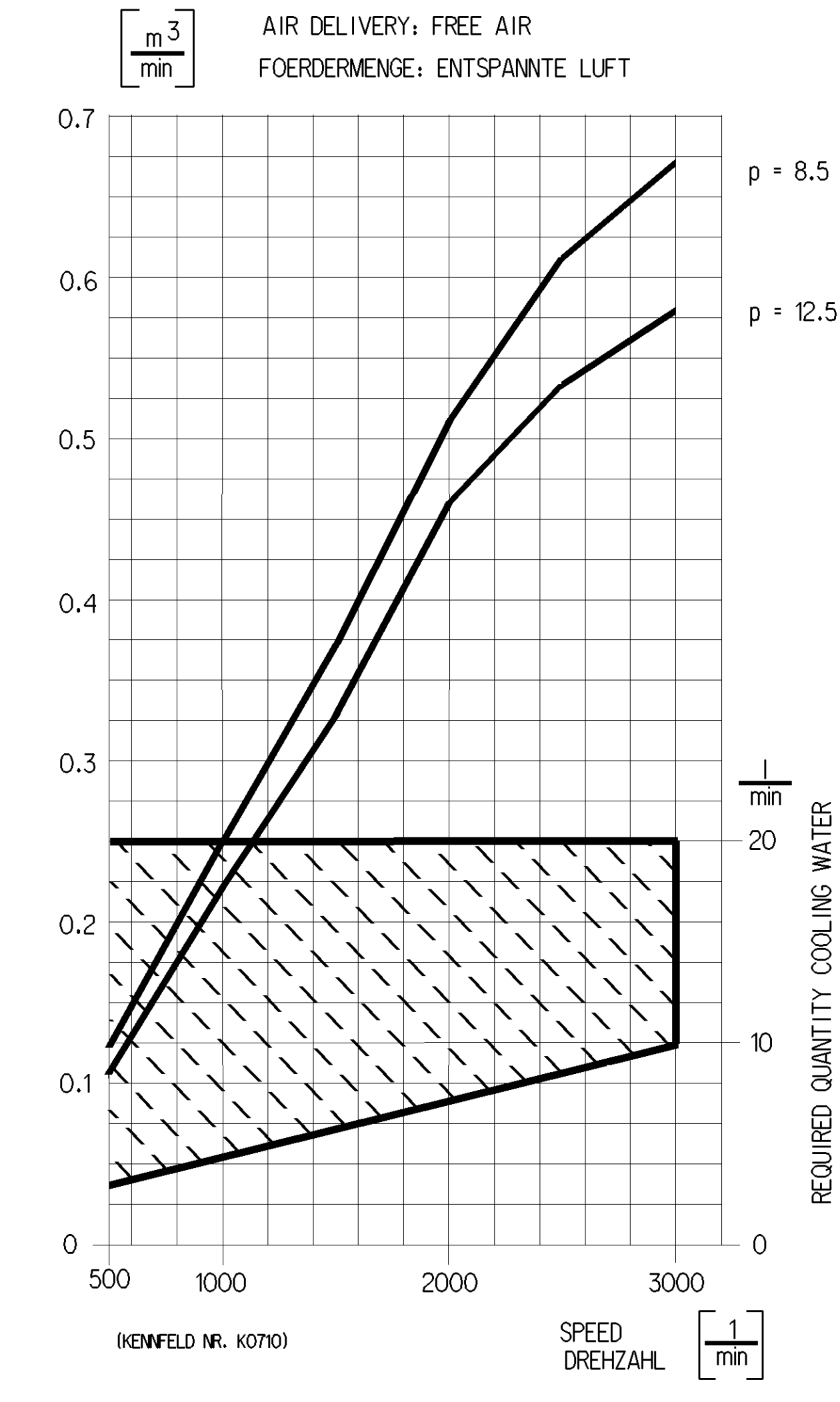
NUMBER OF ADHESIVE LABEL
KLEBESCHILD-NUMMER: 899 201 841 4



O-RING (Ø118 ± 1 x Ø3 ± 0.1)
897 772 857 4 (WABCO/AED-313 * (ACM)/SHORE A 70±5)
(DAIMLER / DBL 6038;20 * ELASTOMER / SHORE A 70±5 9

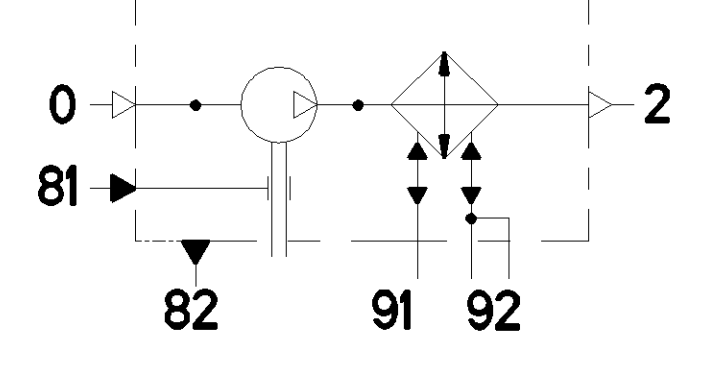


1:2 1:2



CLEANLINESS OF PARTS AND DEVICES: JED-593 (SPECIFICATION T.B.D.)
SAUBERKEIT VON GERAEATEN UND TEILEN:

(FINAL DEFINITION AFTER INVESTIGATION WITH SUPPLIER MANAGEMENT CUSTOMER AND WABCO)
(ENTGUELFIGE FESTLEGUNG NACH ERFOLGTEN UNTERSUCHUNGEN MIT DEM LIEFERANTENMANAGEMENT VOM KUNDEN UND WABCO)



General Specification: AED-354-0		Copyright WABCO		WABCO	
Further Technical Data: 912 210 002 0		Date: 2015-04-15	Drawn: P. Preisch	ONE CYLINDER COMPRESSOR	
Doc. Code: 005		General Tolerances: ISO 201		EINZYLINDER KOMPRESSOR	
Range of Nominal Dimensions (± mm)		2015-04-17		Material No. 912 210 002 0	
Class	± 0.10	Class	± 0.05	Doc. Code	005 DE 1/1
Class	± 0.20	Class	± 0.10	Doc. Code	005 DE 1/1
Class	± 0.30	Class	± 0.15	Doc. Code	005 DE 1/1
Class	± 0.50	Class	± 0.20	Doc. Code	005 DE 1/1
Class	± 0.80	Class	± 0.30	Doc. Code	005 DE 1/1
Class	± 1.20	Class	± 0.50	Doc. Code	005 DE 1/1
Class	± 2.00	Class	± 0.80	Doc. Code	005 DE 1/1
Class	± 3.00	Class	± 1.20	Doc. Code	005 DE 1/1
Class	± 5.00	Class	± 2.00	Doc. Code	005 DE 1/1
Class	± 8.00	Class	± 3.00	Doc. Code	005 DE 1/1
Class	± 12.00	Class	± 5.00	Doc. Code	005 DE 1/1
Class	± 20.00	Class	± 8.00	Doc. Code	005 DE 1/1
Class	± 30.00	Class	± 12.00	Doc. Code	005 DE 1/1
Class	± 50.00	Class	± 20.00	Doc. Code	005 DE 1/1
Class	± 80.00	Class	± 30.00	Doc. Code	005 DE 1/1
Class	± 120.00	Class	± 50.00	Doc. Code	005 DE 1/1
Class	± 200.00	Class	± 80.00	Doc. Code	005 DE 1/1
Class	± 300.00	Class	± 120.00	Doc. Code	005 DE 1/1
Class	± 500.00	Class	± 200.00	Doc. Code	005 DE 1/1
Class	± 800.00	Class	± 300.00	Doc. Code	005 DE 1/1
Class	± 1200.00	Class	± 500.00	Doc. Code	005 DE 1/1
Class	± 2000.00	Class	± 800.00	Doc. Code	005 DE 1/1
Class	± 3000.00	Class	± 1200.00	Doc. Code	005 DE 1/1
Class	± 5000.00	Class	± 2000.00	Doc. Code	005 DE 1/1
Class	± 8000.00	Class	± 3000.00	Doc. Code	005 DE 1/1
Class	± 12000.00	Class	± 5000.00	Doc. Code	005 DE 1/1
Class	± 20000.00	Class	± 8000.00	Doc. Code	005 DE 1/1
Class	± 30000.00	Class	± 12000.00	Doc. Code	005 DE 1/1
Class	± 50000.00	Class	± 20000.00	Doc. Code	005 DE 1/1
Class	± 80000.00	Class	± 30000.00	Doc. Code	005 DE 1/1
Class	± 120000.00	Class	± 50000.00	Doc. Code	005 DE 1/1
Class	± 200000.00	Class	± 80000.00	Doc. Code	005 DE 1/1
Class	± 300000.00	Class	± 120000.00	Doc. Code	005 DE 1/1
Class	± 500000.00	Class	± 200000.00	Doc. Code	005 DE 1/1
Class	± 800000.00	Class	± 300000.00	Doc. Code	005 DE 1/1
Class	± 1200000.00	Class	± 500000.00	Doc. Code	005 DE 1/1
Class	± 2000000.00	Class	± 800000.00	Doc. Code	005 DE 1/1
Class	± 3000000.00	Class	± 1200000.00	Doc. Code	005 DE 1/1
Class	± 5000000.00	Class	± 2000000.00	Doc. Code	005 DE 1/1
Class	± 8000000.00	Class	± 3000000.00	Doc. Code	005 DE 1/1
Class	± 12000000.00	Class	± 5000000.00	Doc. Code	005 DE 1/1
Class	± 20000000.00	Class	± 8000000.00	Doc. Code	005 DE 1/1
Class	± 30000000.00	Class	± 12000000.00	Doc. Code	005 DE 1/1
Class	± 50000000.00	Class	± 20000000.00	Doc. Code	005 DE 1/1
Class	± 80000000.00	Class	± 30000000.00	Doc. Code	005 DE 1/1
Class	± 120000000.00	Class	± 50000000.00	Doc. Code	005 DE 1/1
Class	± 200000000.00	Class	± 80000000.00	Doc. Code	005 DE 1/1
Class	± 300000000.00	Class	± 120000000.00	Doc. Code	005 DE 1/1
Class	± 500000000.00	Class	± 200000000.00	Doc. Code	005 DE 1/1
Class	± 800000000.00	Class	± 300000000.00	Doc. Code	005 DE 1/1
Class	± 1200000000.00	Class	± 500000000.00	Doc. Code	005 DE 1/1
Class	± 2000000000.00	Class	± 800000000.00	Doc. Code	005 DE 1/1
Class	± 3000000000.00	Class	± 1200000000.00	Doc. Code	005 DE 1/1
Class	± 5000000000.00	Class	± 2000000000.00	Doc. Code	005 DE 1/1
Class	± 8000000000.00	Class	± 3000000000.00	Doc. Code	005 DE 1/1
Class	± 12000000000.00	Class	± 5000000000.00	Doc. Code	005 DE 1/1
Class	± 20000000000.00	Class	± 8000000000.00	Doc. Code	005 DE 1/1
Class	± 30000000000.00	Class	± 12000000000.00	Doc. Code	005 DE 1/1
Class	± 50000000000.00	Class	± 20000000000.00	Doc. Code	005 DE 1/1
Class	± 80000000000.00	Class	± 30000000000.00	Doc. Code	005 DE 1/1
Class	± 120000000000.00	Class	± 50000000000.00	Doc. Code	005 DE 1/1
Class	± 200000000000.00	Class	± 80000000000.00	Doc. Code	005 DE 1/1
Class	± 300000000000.00	Class	± 120000000000.00	Doc. Code	005 DE 1/1
Class	± 500000000000.00	Class	± 200000000000.00	Doc. Code	005 DE 1/1
Class	± 800000000000.00	Class	± 300000000000.00	Doc. Code	005 DE 1/1
Class	± 1200000000000.00	Class	± 500000000000.00	Doc. Code	005 DE 1/1
Class	± 2000000000000.00	Class	± 800000000000.00	Doc. Code	005 DE 1/1
Class	± 3000000000000.00	Class	± 1200000000000.00	Doc. Code	005 DE 1/1
Class	± 5000000000000.00	Class	± 2000000000000.00	Doc. Code	005 DE 1/1
Class	± 8000000000000.00	Class	± 3000000000000.00	Doc. Code	005 DE 1/1
Class	± 12000000000000.00	Class	± 5000000000000.00	Doc. Code	005 DE 1/1
Class	± 20000000000000.00	Class	± 8000000000000.00	Doc. Code	005 DE 1/1
Class	± 30000000000000.00	Class	± 12000000000000.00	Doc. Code	005 DE 1/1
Class	± 50000000000000.00	Class	± 20000000000000.00	Doc. Code	005 DE 1/1
Class	± 80000000000000.00	Class	± 30000000000000.00	Doc. Code	005 DE 1/1
Class	± 120000000000000.00	Class	± 50000000000000.00	Doc. Code	005 DE 1/1
Class	± 200000000000000.00	Class	± 80000000000000.00	Doc. Code	005 DE 1/1
Class	± 300000000000000.00	Class	± 120000000000000.00	Doc. Code	005 DE 1/1
Class	± 500000000000000.00	Class	± 200000000000000.00	Doc. Code	005 DE 1/1
Class	± 800000000000000.00	Class	± 300000000000000.00	Doc. Code	005 DE 1/1
Class	± 1200000000000000.00	Class	± 500000000000000.00	Doc. Code	005 DE 1/1
Class	± 2000000000000000.00	Class	± 800000000000000.00	Doc. Code	005 DE 1/1
Class	± 3000000000000000.00	Class	± 1200000000000000.00	Doc. Code	005 DE 1/1
Class	± 5000000000000000.00	Class	± 2000000000000000.00	Doc. Code	005 DE 1/1
Class	± 8000000000000000.00	Class	± 3000000000000000.00	Doc. Code	005 DE 1/1
Class	± 12000000000000000.00	Class	± 5000000000000000.00	Doc. Code	005 DE 1/1
Class	± 20000000000000000.00	Class	± 8000000000000000.00	Doc. Code	005 DE 1/1
Class	± 30000000000000000.00	Class	± 12000000000000000.00	Doc. Code	005 DE 1/1
Class	± 50000000000000000.00	Class	± 20000000000000000.00	Doc. Code	005 DE 1/1
Class	± 80000000000000000.00	Class	± 30000000000000000.00	Doc. Code	005 DE 1/1
Class	± 120000000000000000.00	Class	± 50000000000000000.00	Doc. Code	005 DE 1/1
Class	± 200000000000000000.00	Class	± 80000000000000000.00	Doc. Code	005 DE 1/1
Class	± 300000000000000000.00	Class	± 120000000000000000.00	Doc. Code	005 DE 1/1
Class	± 500000000000000000.00	Class	± 200000000000000000.00	Doc. Code	005 DE 1/1
Class	± 800000000000000000.00	Class	± 300000000000000000.00	Doc. Code	005 DE 1/1
Class	± 1200000000000000000.00	Class	± 500000000000000000.00	Doc. Code	005 DE 1/1
Class	± 2000000000000000000.00	Class	± 800000000000000000.00	Doc. Code	005 DE 1/1
Class	± 3000000000000000000.00	Class	± 1200000000000000000.00	Doc. Code	005 DE 1/1
Class	± 5000000000000000000.00	Class	± 2000000000000000000.00	Doc. Code	005 DE 1/1
Class	± 8000000000000000000.00	Class	± 3000000000000000000.00	Doc. Code	005 DE 1/1
Class	± 12000000000000000000.00	Class	± 5000000000000000000.00	Doc. Code	005 DE 1/1
Class	± 20000000000000000000.00	Class	± 8000000000000000000.00	Doc. Code	005 DE 1/1
Class	± 30000000000000000000.00	Class	± 12000000000000000000.00	Doc. Code	005 DE 1/1
Class	± 50000000000000000000.00	Class	± 20000000000000000000.00	Doc. Code	005 DE 1/1
Class	± 80000000000000000000.00	Class	± 30000000000000000000.00	Doc. Code	005 DE 1/1
Class	± 120000000000000000000.00	Class	± 50000000000000000000.00	Doc. Code	005 DE 1/1
Class	± 200000000000000000000.00	Class	± 80000000000000000000.00	Doc. Code	005 DE 1/1
Class	± 300000000000000000000.00	Class	± 120000000000000000000.00	Doc. Code	005 DE 1/1
Class	± 500000000000000000000.00	Class	± 200000000000000000000.00	Doc. Code	005 DE 1/1
Class	± 800000000000000000000.00	Class	± 300000000000000000000.00	Doc. Code	005 DE 1/1
Class	± 1200000000000000000000.00	Class	± 500000000000000000000.00	Doc. Code	005 DE 1/1
Class	± 2000000000000000000000.00	Class	± 800000000000000000000.00	Doc. Code	005 DE 1/1
Class	± 3000000000000000000000.00	Class	± 12000000		