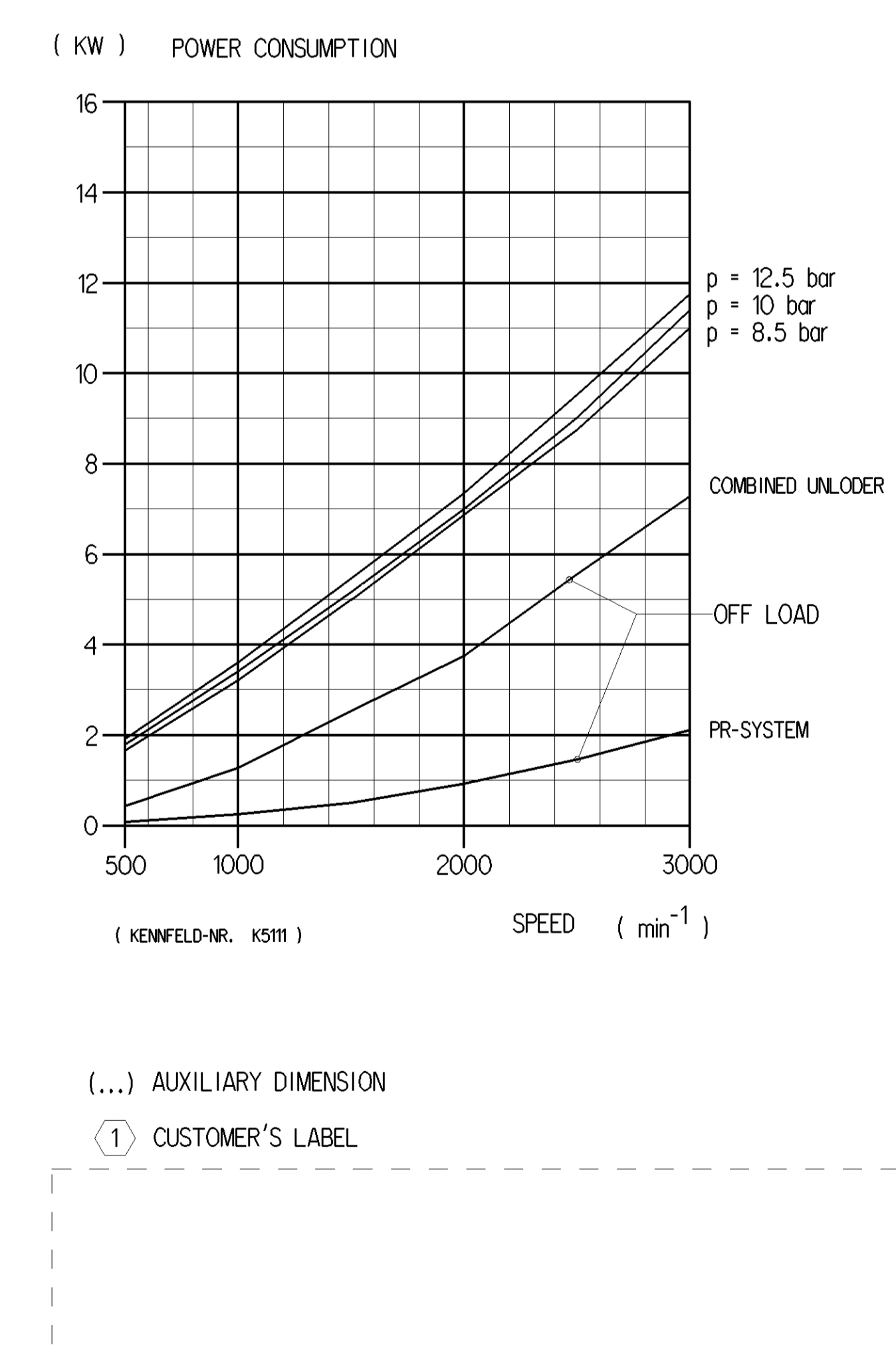
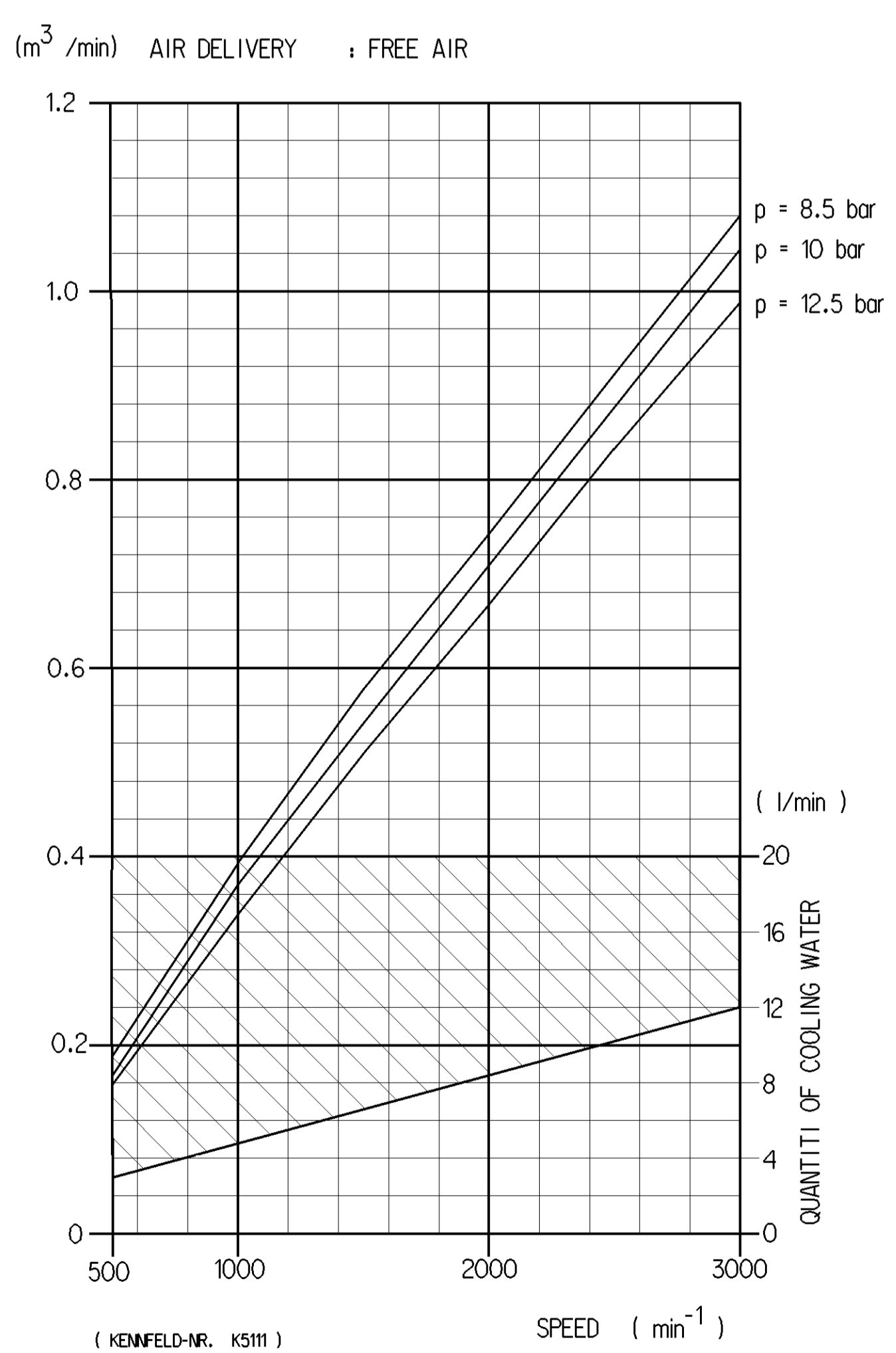
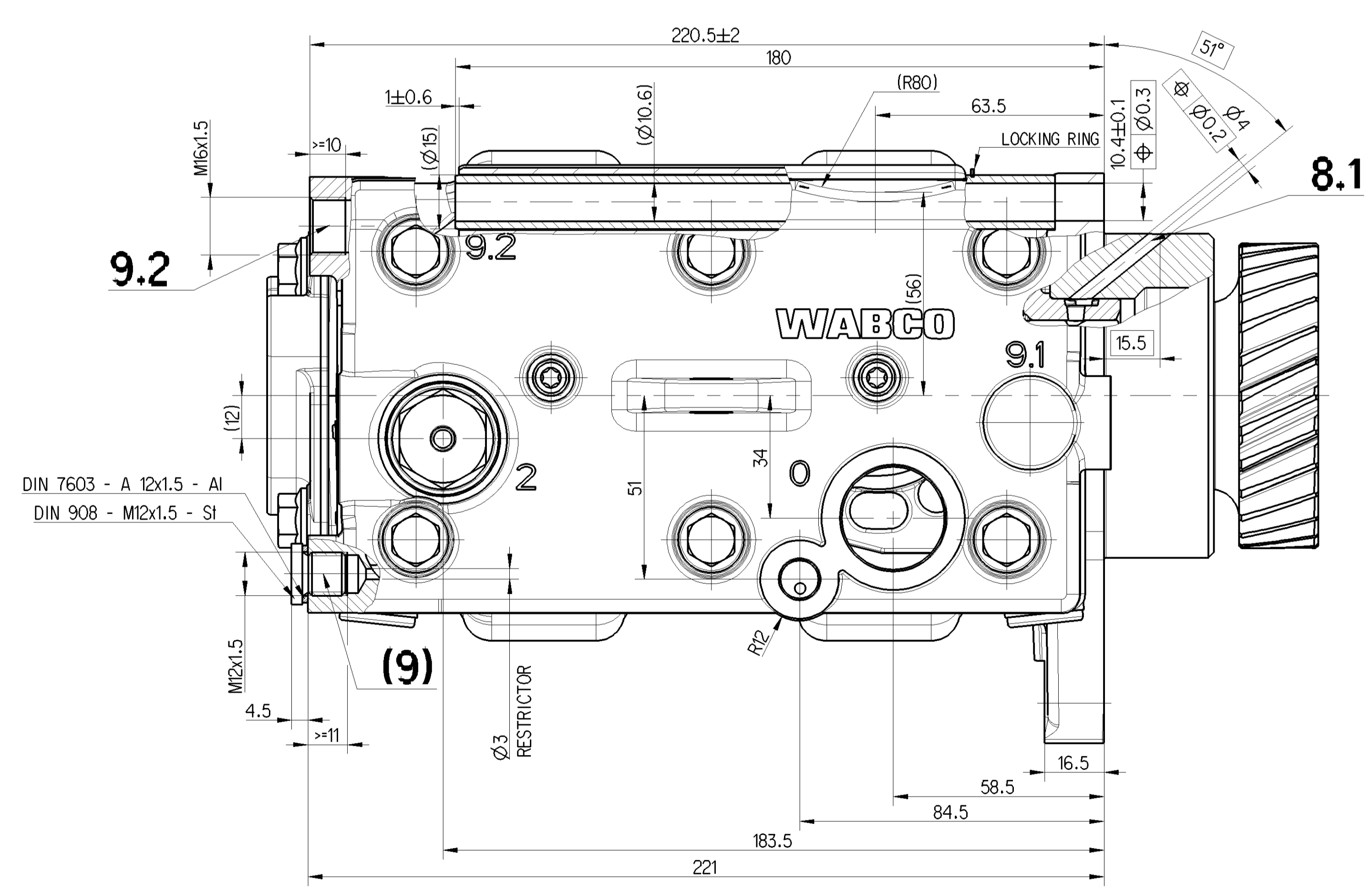
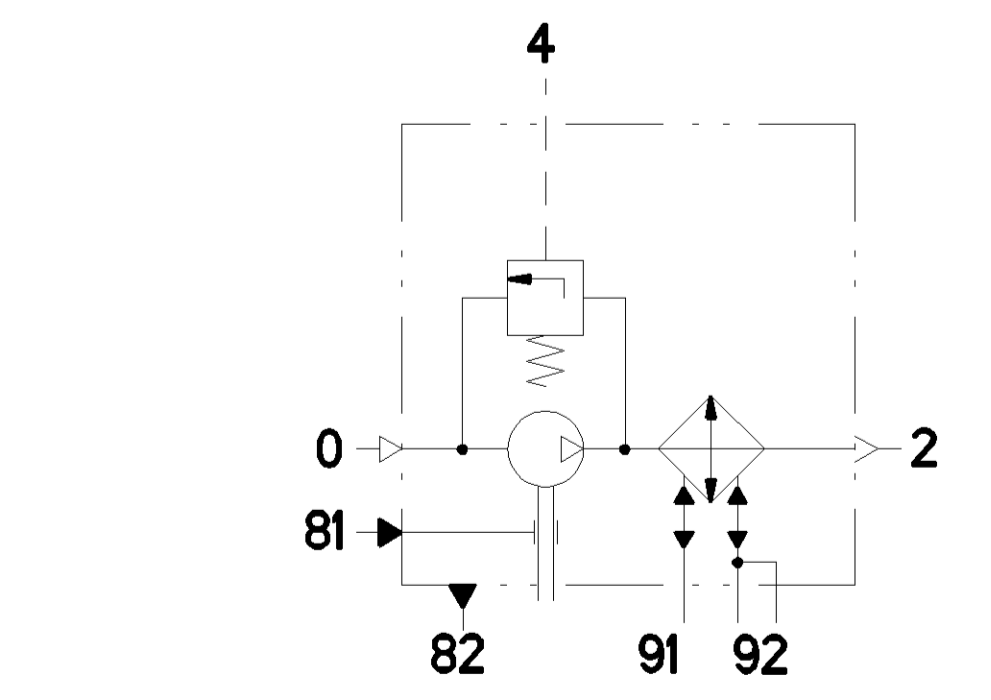


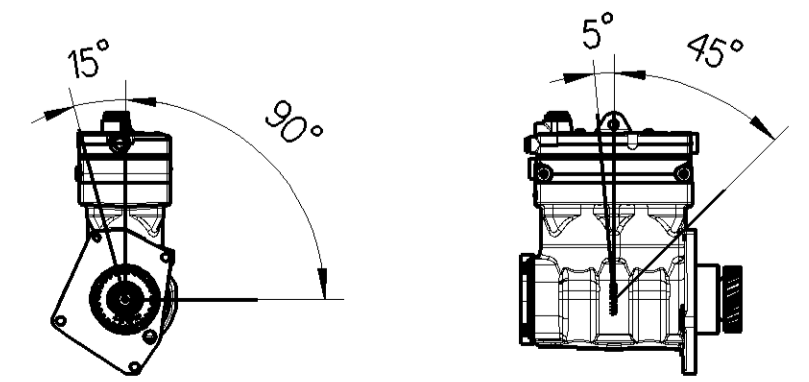
WORKING MEDIUM	AIR
COOLANT	WATER WITH ANTIFREEZE
BORE	∅ 85 mm
STROKE	56 mm
SWEPT VOLUME	636 cm ³
MAX. WORKING SPEED	n _{max} = 3000 min ⁻¹
OVERSPEED (MAX. 4 SEC.)	n _{ue} = 1.3 x n _{max}
MAX. WORKING PRESSURE	12.5 bar
MAX. PRESSURE	16 bar
LUBRICATION SUPPLIED FROM ENGINE	
PORTS PROTECTED	
FLANGE SEALING	
SURFACE PROTECTION JED-762	



0	SUCTION PORT	M <= 80 Nm (4)
2	DISCHARGE PORT	M <= 67 Nm (4)
4	GOVERNOR PORT	M <= 12 Nm (4)
8.1	OIL SUPPLY	
8.2	OIL DRAIN	
9.1	COOLANT CONNECTION	M <= 34 Nm (4)
9.2	COOLANT CONNECTION	M <= 34 Nm (4)
(9)	VENTING PORT	M <= 21 Nm (4)



MAX. PERMISSIBLE TILT DURING CONTINUOUS WORKING



9.1 → 9.2 DIRECTIONS OF FLOW

91/92 M <= 35 Nm

(4) ACCORDING TO JED-366

General Specifications: 4D-534-1, Size ISO 14400 LP		Copyright WABCO®		WABCO	
Further Technical Data: 912 510 104 R		Title: System		COMPRESSOR	
Doc. Code: 035	Sheet: 1	To: 5			
2016-12-01 Trojako		2016-12-02 Skobonin			
2016-12-02 Skobonin					
Range of Nominal Dimensions (d mm)					
Class	1	2	3	4	5
Min	50	180	400	400	400
Max	0.5	1.0	1.5	2.0	3.0
Medium	X	1.0	2.0	3.0	4.0
Course	2.0	3.5	5.0	6.5	±3°
Tapped Holes acc.		20.817		1:1	
A 0		CREO		912 510 104 A	
		005		EN 1/1	