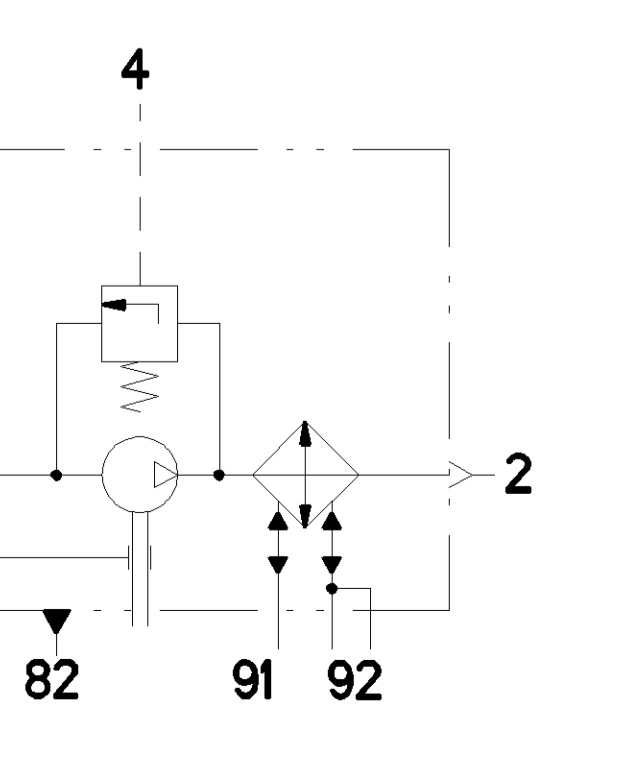
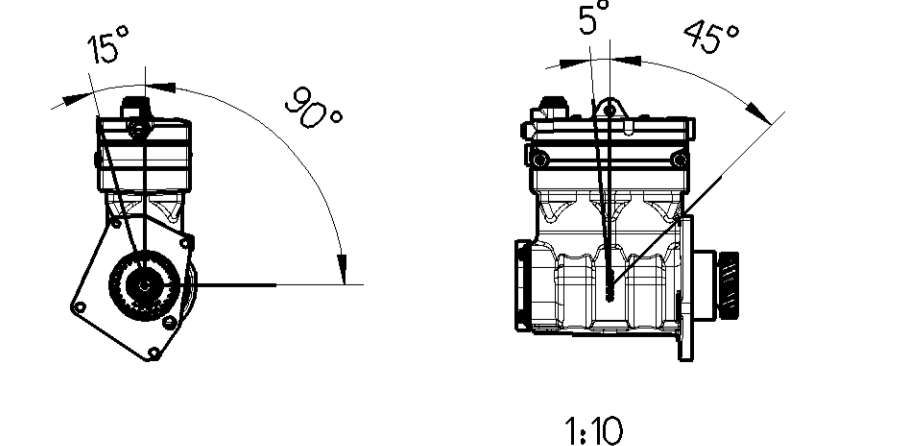


WORKING MEDIUM	AIR
COOLANT	WATER WITH ANTIFREEZE
BORE	∅ 85 mm
STROKE	56 mm
SWEPT VOLUME	636 cm ³
MAX. WORKING SPEED	n _{max} = 3000 min ⁻¹
OVERSPEED (MAX. 4 SEC.)	n _{ue} = 1.3 x n _{max}
MAX. WORKING PRESSURE	12.5 bar
MAX. PRESSURE	16 bar
LUBRICATION SUPPLIED FROM ENGINE	
PORTS PROTECTED	
FLANGE SEALING	
SURFACE PROTECTION JED-762	

0	SUCTION PORT	M ≤ 80 Nm ③
2	DISCHARGE PORT	M ≤ 67 Nm ③
4	GOVERNOR PORT	M ≤ 12 Nm ③
8.1	OIL SUPPLY	
8.2	OIL DRAIN	
9.1	COOLANT CONNECTION	M ≤ 34 Nm ③
9.2	COOLANT CONNECTION	M ≤ 34 Nm ③
(9)	VENTING PORT	M ≤ 21 Nm ③

9.1 → 9.2 DIRECTIONS OF FLOW
 91/92 M ≤ 35 Nm
 ③ ACCORDING TO JED-366

MAX. PERMISSIBLE TILT DURING CONTINUOUS WORKING



① B ** ALSO VALID FOR: 037, 003

LABELING INFORMATION TABLE (SEE ALSO DOC.922)		
PRODUCTION SITE	LABEL	LABEL ID NUMBER
	①	899 050 145 4
	②	899 202 425 4

General Specifications: 4D-554-1, Size ISO 14400 LP
 Further Technical Data: 912510040
 Doc. Code: 035
 Date: 2017-02-22
 Version: 1 To 5
 General Tolerances: ISO 2768
 Range of Nominal Dimensions (L x mm):
 Class 1: 50 ± 0.10, 60 ± 0.15, 80 ± 0.20, 100 ± 0.25, 125 ± 0.30, 160 ± 0.40, 200 ± 0.50
 Class 2: 1.0 ± 0.05, 1.5 ± 0.07, 2.0 ± 0.10, 3.0 ± 0.15, 4.0 ± 0.20, 5.0 ± 0.30
 Class 3: 2.0 ± 0.10, 3.0 ± 0.15, 4.0 ± 0.20, 5.0 ± 0.30, 6.5 ± 0.40
 Tapped Holes acc. to ISO 9000
 Tolerances class: H7/g6, H8/g7, H9/g8, H10/g9, H11/g9, H12/g9, H13/g9, H14/g9, H15/g9, H16/g9, H17/g9, H18/g9, H19/g9, H20/g9, H21/g9, H22/g9, H23/g9, H24/g9, H25/g9, H26/g9, H27/g9, H28/g9, H29/g9, H30/g9, H31/g9, H32/g9, H33/g9, H34/g9, H35/g9, H36/g9, H37/g9, H38/g9, H39/g9, H40/g9, H41/g9, H42/g9, H43/g9, H44/g9, H45/g9, H46/g9, H47/g9, H48/g9, H49/g9, H50/g9, H51/g9, H52/g9, H53/g9, H54/g9, H55/g9, H56/g9, H57/g9, H58/g9, H59/g9, H60/g9, H61/g9, H62/g9, H63/g9, H64/g9, H65/g9, H66/g9, H67/g9, H68/g9, H69/g9, H70/g9, H71/g9, H72/g9, H73/g9, H74/g9, H75/g9, H76/g9, H77/g9, H78/g9, H79/g9, H80/g9, H81/g9, H82/g9, H83/g9, H84/g9, H85/g9, H86/g9, H87/g9, H88/g9, H89/g9, H90/g9, H91/g9, H92/g9, H93/g9, H94/g9, H95/g9, H96/g9, H97/g9, H98/g9, H99/g9, H100/g9

WABCO COMPRESSOR
 912 510 104 R
 006 EN 1/1
 2017-02-22
 173173 2x B 2009