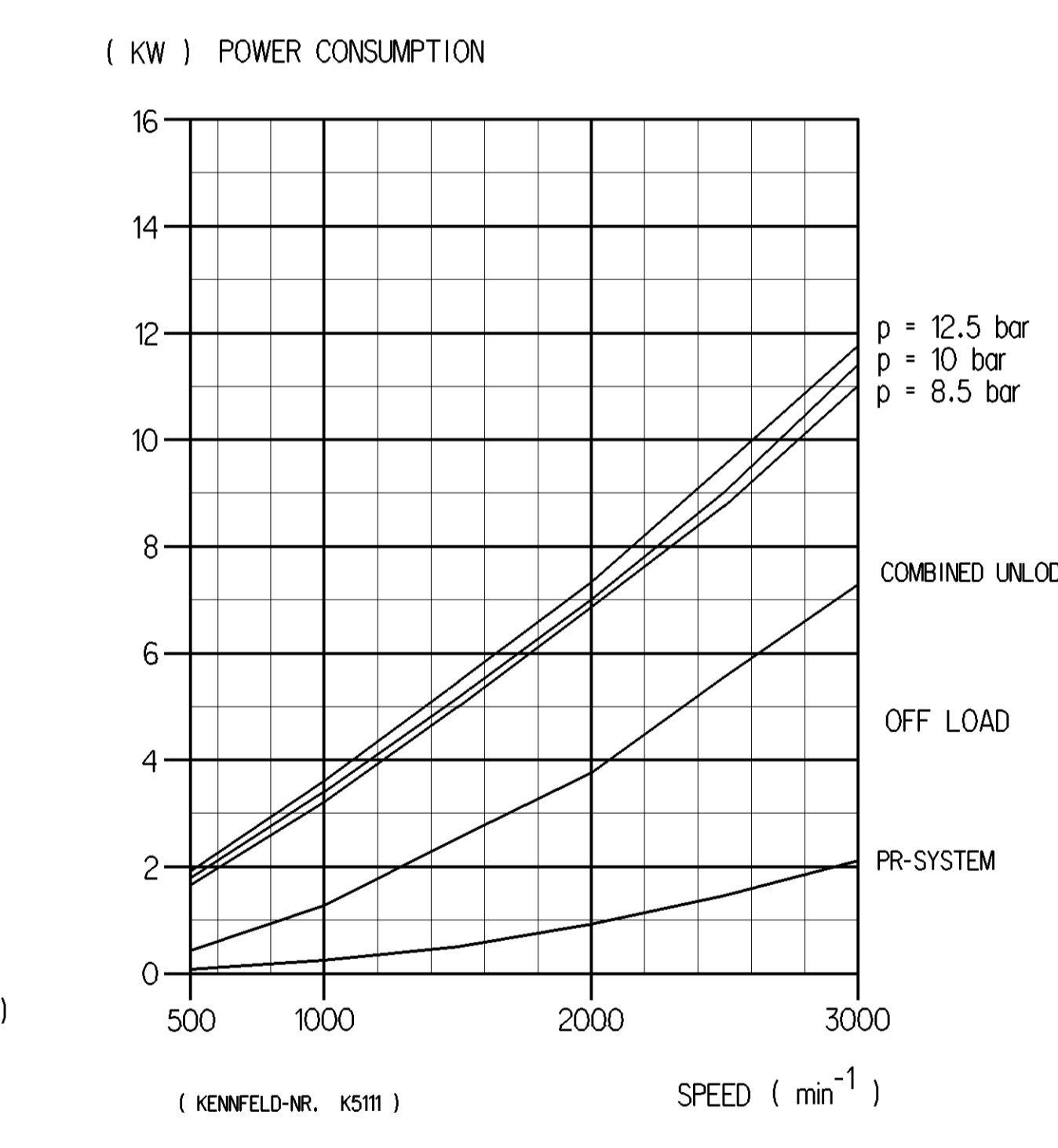
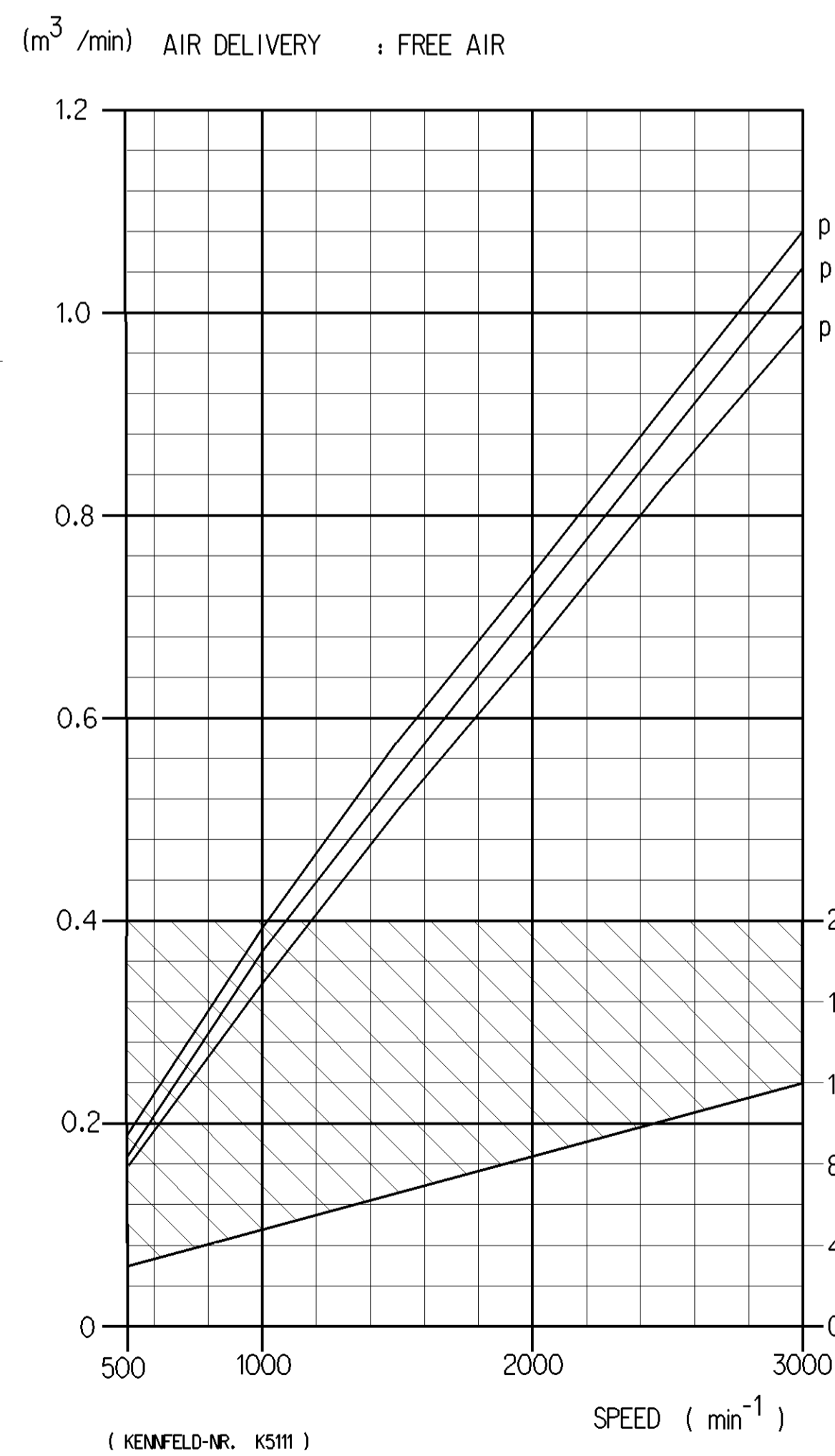
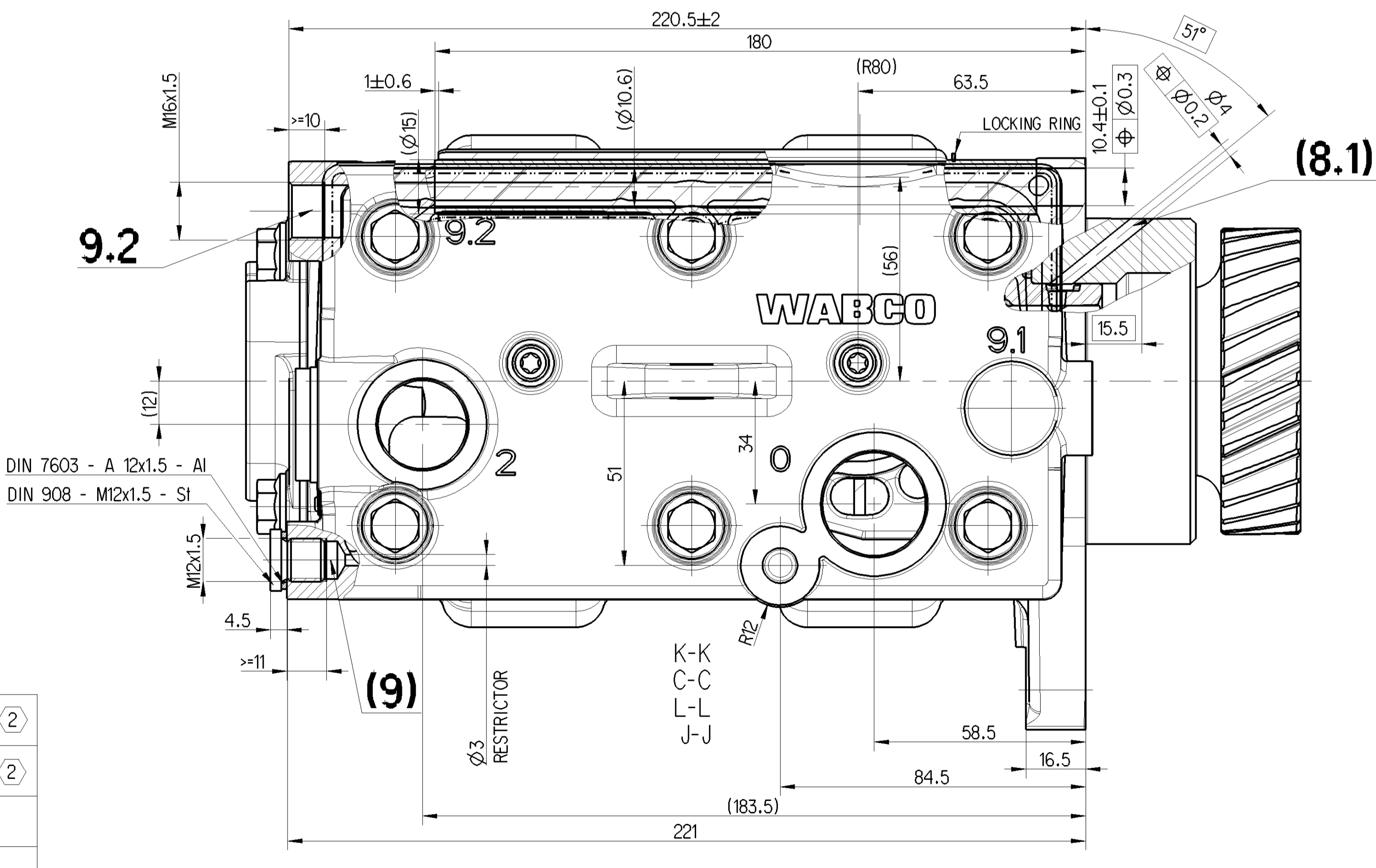
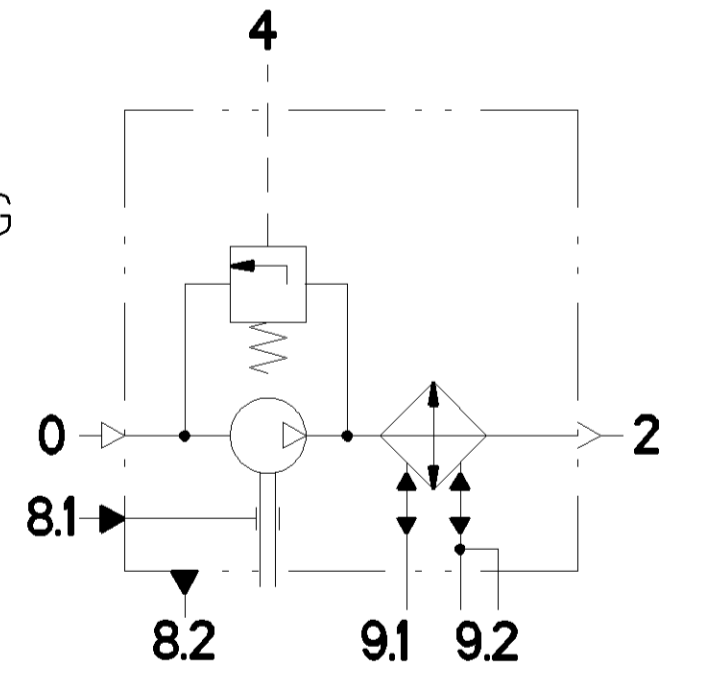
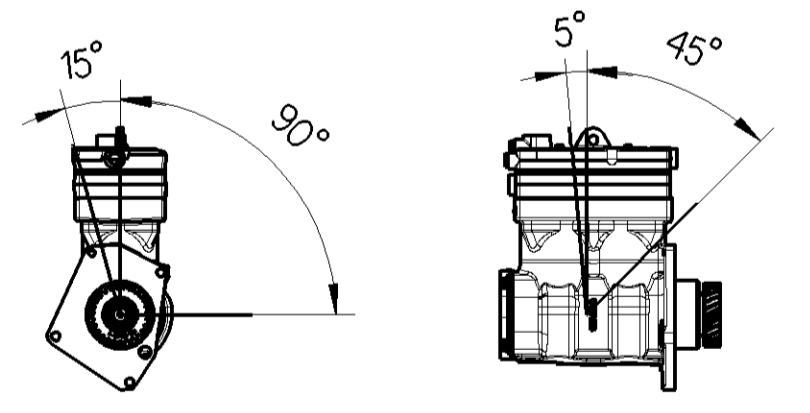


MAX. PERMISSIBLE TILT DURING CONTINUOUS WORKING



WORKING MEDIUM	AIR
COOLANT	WATER WITH ANTIFREEZE
BORE	∅ 85 mm
STROKE	56 mm
SWEPT VOLUME	636 cm ³
MAX. WORKING SPEED	$n_{max} = 3000 \text{ min}^{-1}$
OVERSPEED (MAX. 4 SEC.)	$n_{ue} = 1.3 \times n_{max}$
MAX. WORKING PRESSURE	12.5 bar
MAX. PRESSURE	16 bar
LUBRICATION SUPPLIED FROM ENGINE	
PORTS PROTECTED	
FLANGE SEALING	
SURFACE PROTECTION JED-762	

0	SUCTION PORT	M ≤ 80 Nm (2)
2	DISCHARGE PORT	M ≤ 67 Nm (2)
8.1	OIL SUPPLY	
8.2	OIL DRAIN	
9.1	COOLANT CONNECTION	M ≤ 34 Nm (2)
9.2	COOLANT CONNECTION	M ≤ 34 Nm (2)
(9)	VENTING PORT	M ≤ 21 Nm (2)

9.1 ↔ 9.2 DIRECTIONS OF FLOW
 9.1/9.2 M ≤ 35 Nm
 (2) ACCORDING TO JED-366

• ALSO VALID FOR PRI: 037, 003, 006, 105.

LABELING INFORMATION TABLE (SEE ALSO DOC.922)		
PRODUCTION SITE	LABEL	LABEL ID NUMBER
PRI 048	1	899 050 145 4

General Specifications: 4D-554-1, Size ISO 14400 LP
 Further Technical Data: 912 510 200 0
 Doc. Code: 035
 Date: 2017-03-07
 Revision: 1
 Size: 20,791 mm
 Class: 1
 Medium: X
 Coarse: 2,0

Copyright © Trojko
 2017-03-07 Trojko
 Trojko
 Skokoban

WABCO
COMPRESSOR

Model No.: 912 510 200 R
 Date of 1st Issue: 2017-03-07
 Language: EN
 Sheet: 1/1

Scale: A 0
 Drawing No.: 912 510 200 R
 Revision: 005
 Date: 2017-03-07
 Drawn by: [signature]
 Checked by: [signature]