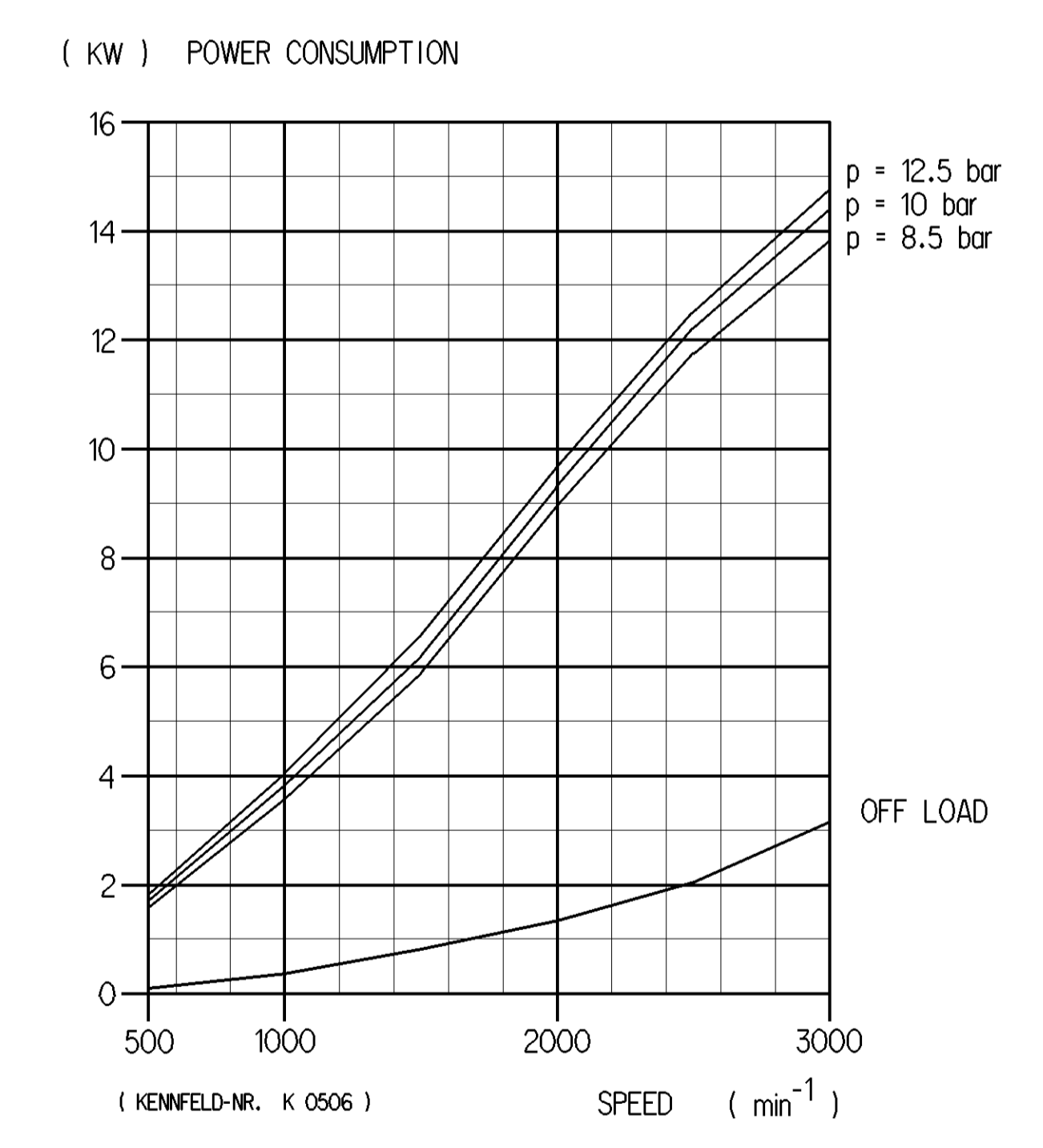
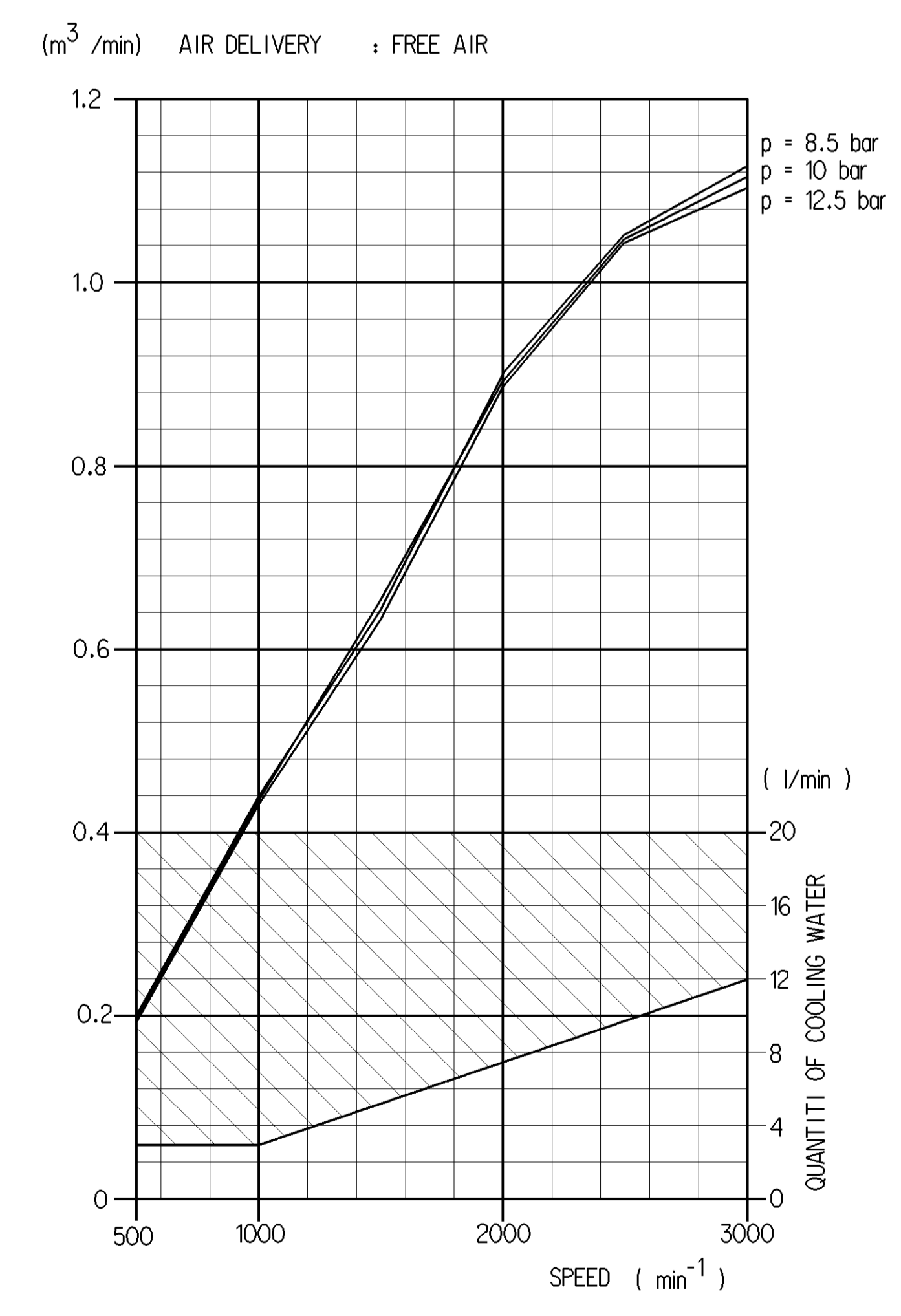
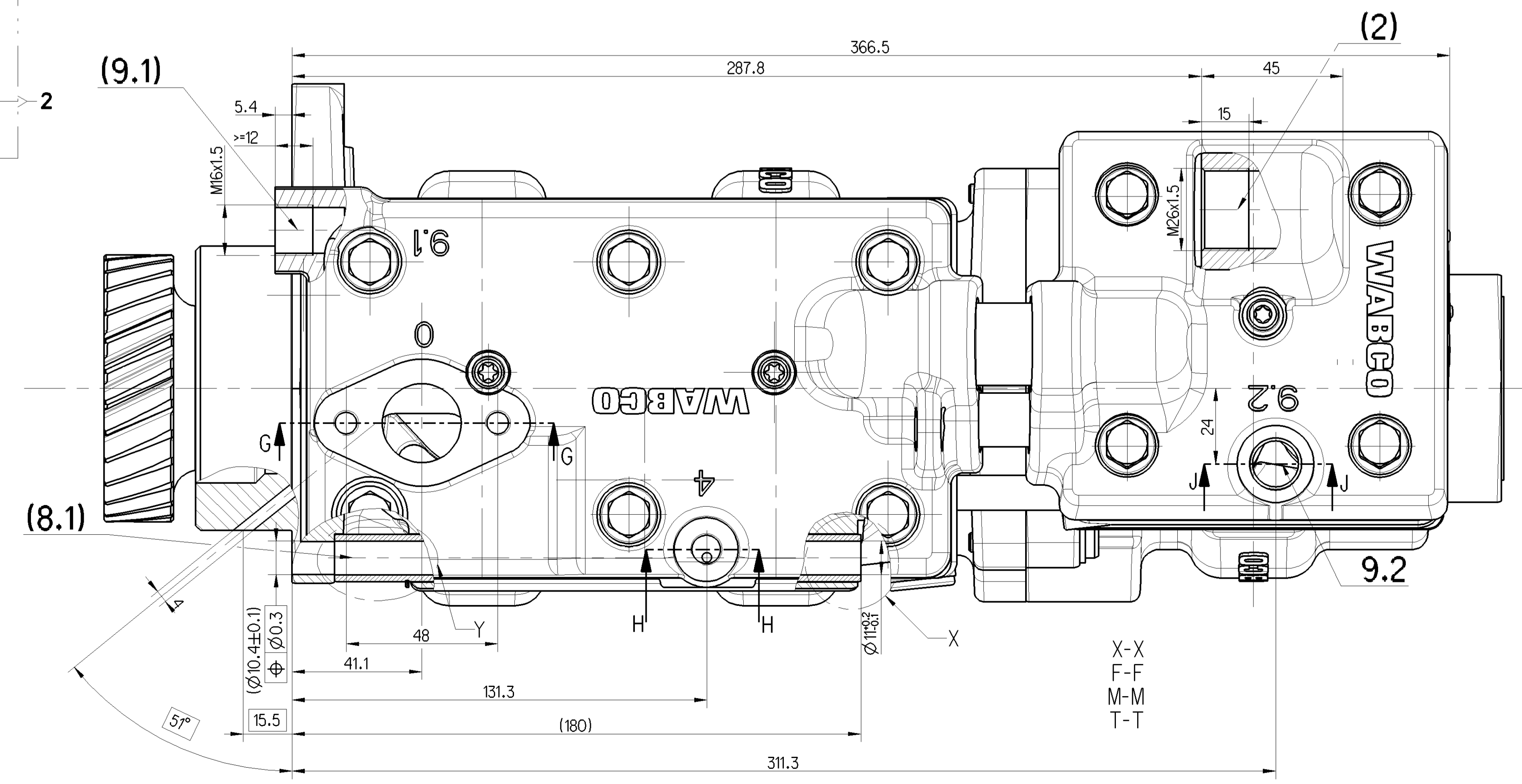
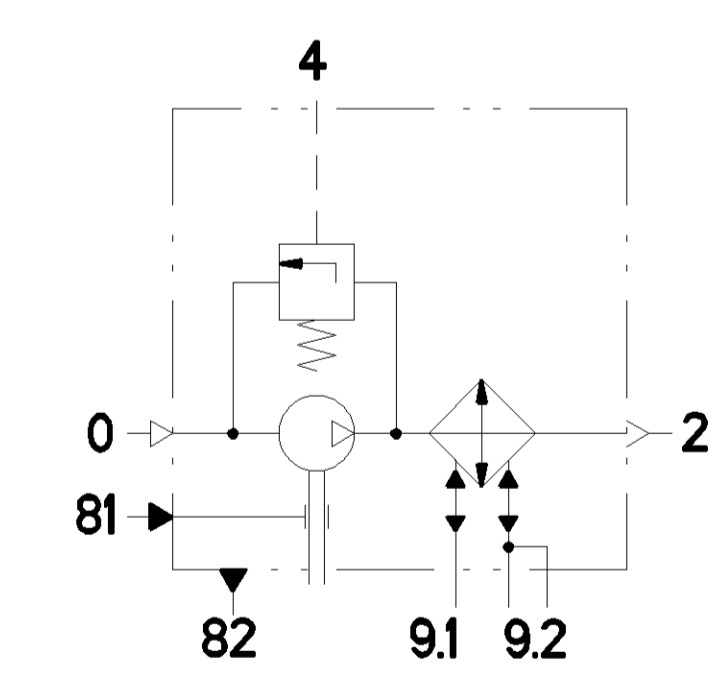
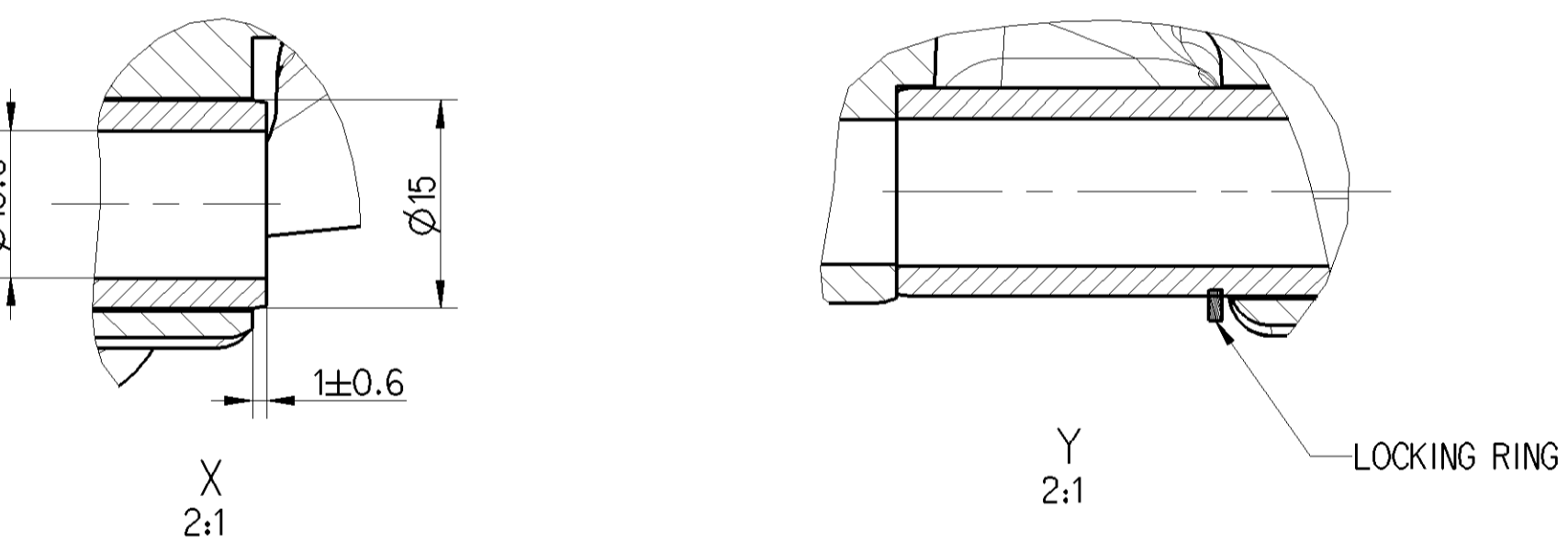


0	SUCTION PORT	
2	DISCHARGE PORT	M < 100 Nm
4	GOVERNOR PORT	M < 12 Nm
8.1	OIL SUPPLY	
8.2	OIL DRAIN	
9.1	COOLANT CONNECTION	M < 35 Nm
9.2	COOLANT CONNECTION	M < 35 Nm

9.1 → 9.2 DIRECTIONS OF FLOW

WORKING MEDIUM	AIR
COOLANT	WATER WITH ANTIFREEZE
BORE	∅ 85 mm
STROKE	56 mm / 37 mm
SWEPT VOLUME	1.STAGE 636 cm <sup>3</sup> / 2.STAGE 210 cm <sup>3</sup>
MAX. WORKING SPEED	$n_{max} = 3000 \text{ min}^{-1}$
OVERSPEED (MAX. 4 SEC.)	$n_{ue} = 1.3 \times n_{max}$
MAX. WORKING PRESSURE	12.5 bar
MAX. PRESSURE MEASURE AT DISCHARGE PORT	16 bar
LUBRICATION SUPPLIED FROM ENGINE	
PORTS PROTECTED	
FREE FROM ASBESTOS	
CRANKCASE SURFACE PROTECTION JED-069M1	



General Specifications: 4D-554-1, Size ISO 14400 LP	Copyright WABCO	<b>WABCO</b>
Further Technical Data: 912 510 303 0	Year: 2016-12-05	TRIPLE CYLINDER COMPRESSOR
Doc. Code: 005	Sheet: 1 of 5	
General Tolerances: ISO 2011	2016-12-05	
Range of Nominal Dimensions (± mm)	Unit	
Class 1: ± 0.10	mm	
Class 2: ± 0.15	mm	
Class 3: ± 0.20	mm	
Class 4: ± 0.30	mm	
Class 5: ± 0.40	mm	
Class 6: ± 0.50	mm	
Class 7: ± 0.60	mm	
Class 8: ± 0.70	mm	
Class 9: ± 0.80	mm	
Class 10: ± 1.00	mm	
Class 11: ± 1.20	mm	
Class 12: ± 1.50	mm	
Class 13: ± 2.00	mm	
Class 14: ± 2.50	mm	
Class 15: ± 3.00	mm	
Class 16: ± 4.00	mm	
Class 17: ± 5.00	mm	
Class 18: ± 6.50	mm	
Class 19: ± 8.00	mm	
Class 20: ± 10.00	mm	
Class 21: ± 12.00	mm	
Class 22: ± 15.00	mm	
Class 23: ± 20.00	mm	
Class 24: ± 25.00	mm	
Class 25: ± 30.00	mm	
Class 26: ± 40.00	mm	
Class 27: ± 50.00	mm	
Class 28: ± 63.00	mm	
Class 29: ± 80.00	mm	
Class 30: ± 100.00	mm	
Class 31: ± 125.00	mm	
Class 32: ± 160.00	mm	
Class 33: ± 200.00	mm	
Class 34: ± 250.00	mm	
Class 35: ± 315.00	mm	
Class 36: ± 400.00	mm	
Class 37: ± 500.00	mm	
Class 38: ± 630.00	mm	
Class 39: ± 800.00	mm	
Class 40: ± 1000.00	mm	
Class 41: ± 1250.00	mm	
Class 42: ± 1600.00	mm	
Class 43: ± 2000.00	mm	
Class 44: ± 2500.00	mm	
Class 45: ± 3150.00	mm	
Class 46: ± 4000.00	mm	
Class 47: ± 5000.00	mm	
Class 48: ± 6300.00	mm	
Class 49: ± 8000.00	mm	
Class 50: ± 10000.00	mm	
Class 51: ± 12500.00	mm	
Class 52: ± 16000.00	mm	
Class 53: ± 20000.00	mm	
Class 54: ± 25000.00	mm	
Class 55: ± 31500.00	mm	
Class 56: ± 40000.00	mm	
Class 57: ± 50000.00	mm	
Class 58: ± 63000.00	mm	
Class 59: ± 80000.00	mm	
Class 60: ± 100000.00	mm	
Class 61: ± 125000.00	mm	
Class 62: ± 160000.00	mm	
Class 63: ± 200000.00	mm	
Class 64: ± 250000.00	mm	
Class 65: ± 315000.00	mm	
Class 66: ± 400000.00	mm	
Class 67: ± 500000.00	mm	
Class 68: ± 630000.00	mm	
Class 69: ± 800000.00	mm	
Class 70: ± 1000000.00	mm	
Class 71: ± 1250000.00	mm	
Class 72: ± 1600000.00	mm	
Class 73: ± 2000000.00	mm	
Class 74: ± 2500000.00	mm	
Class 75: ± 3150000.00	mm	
Class 76: ± 4000000.00	mm	
Class 77: ± 5000000.00	mm	
Class 78: ± 6300000.00	mm	
Class 79: ± 8000000.00	mm	
Class 80: ± 10000000.00	mm	
Class 81: ± 12500000.00	mm	
Class 82: ± 16000000.00	mm	
Class 83: ± 20000000.00	mm	
Class 84: ± 25000000.00	mm	
Class 85: ± 31500000.00	mm	
Class 86: ± 40000000.00	mm	
Class 87: ± 50000000.00	mm	
Class 88: ± 63000000.00	mm	
Class 89: ± 80000000.00	mm	
Class 90: ± 100000000.00	mm	
Class 91: ± 125000000.00	mm	
Class 92: ± 160000000.00	mm	
Class 93: ± 200000000.00	mm	
Class 94: ± 250000000.00	mm	
Class 95: ± 315000000.00	mm	
Class 96: ± 400000000.00	mm	
Class 97: ± 500000000.00	mm	
Class 98: ± 630000000.00	mm	
Class 99: ± 800000000.00	mm	
Class 100: ± 1000000000.00	mm	