

WORKING MEDIUM : AIR
 BETRIEBSMEDIUM : LUFT

COOLANT : WATER WITH ANTIFREEZE
 KÜHLMEDIUM : WASSER MIT FROSTSCHUTZ

BORE : $\varnothing 85 \text{ mm}$
 BOHRUNG : $\varnothing 85 \text{ mm}$

STROKE : 56 mm
 HUB : 56 mm

SWEEP VOLUME : 636 cm³
 HUBRAUM : 636 cm³

MAX. WORKING SPEED : $n_{\text{max}} = 3000 \text{ min}^{-1}$
 MAX. BETRIEBSDREHZAHL : $n_{\text{max}} = 3000 \text{ min}^{-1}$

OVERSPEED (MAX. 4 SEC.) : $n_{\text{ue}} = 1.3 \times n_{\text{max}}$
 UEBERDREHZAHL (MAX. 4 SEC.) : $n_{\text{ue}} = 1.3 \times n_{\text{max}}$

END PLAY OF CRANKSHAFT AXIALSPIEL DER KURBELWELLE : 0.1 ... 0.4 mm

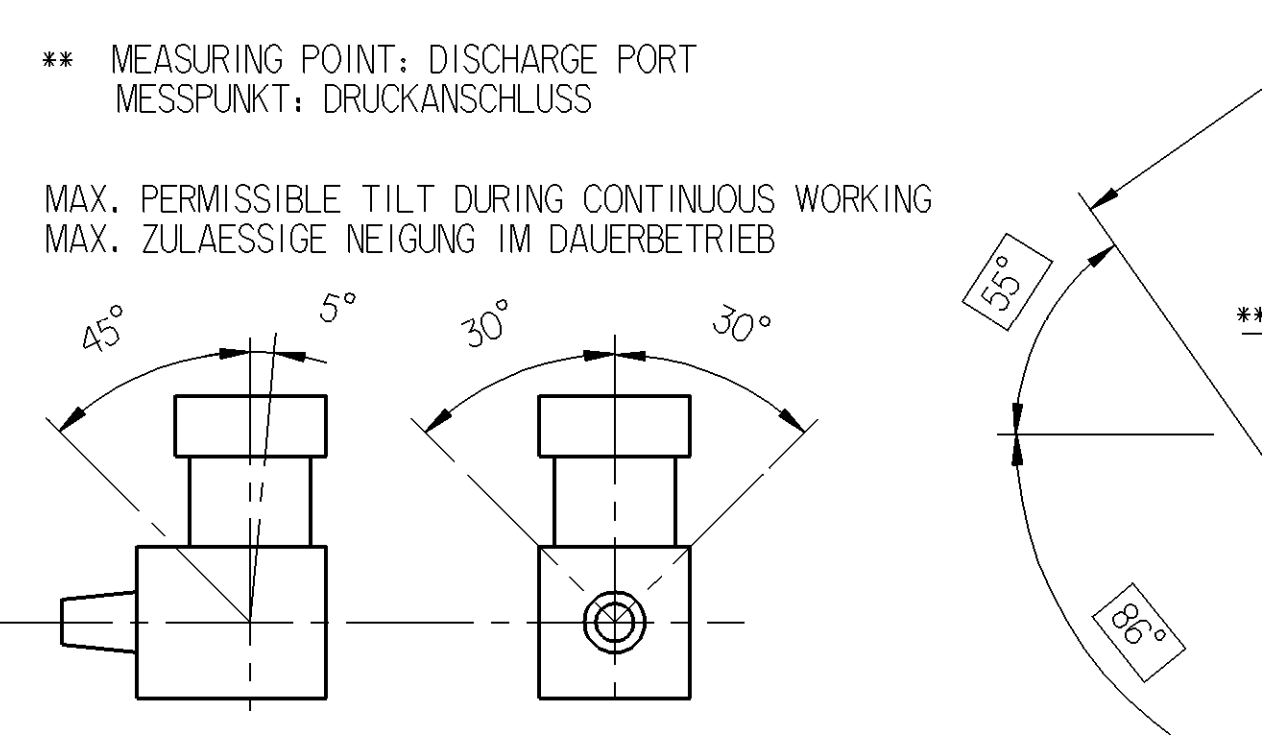
LUBRICATION SUPPLIED FROM ENGINE UMLAUFSCHEMUNG MIT DRUCKÖLANSCHLUSS

MAX. WORKING PRESSURE : $p = 14 \text{ bar}^{**}$
 MAX. BETRIEBSDRUCK : $p = 14 \text{ bar}^{**}$

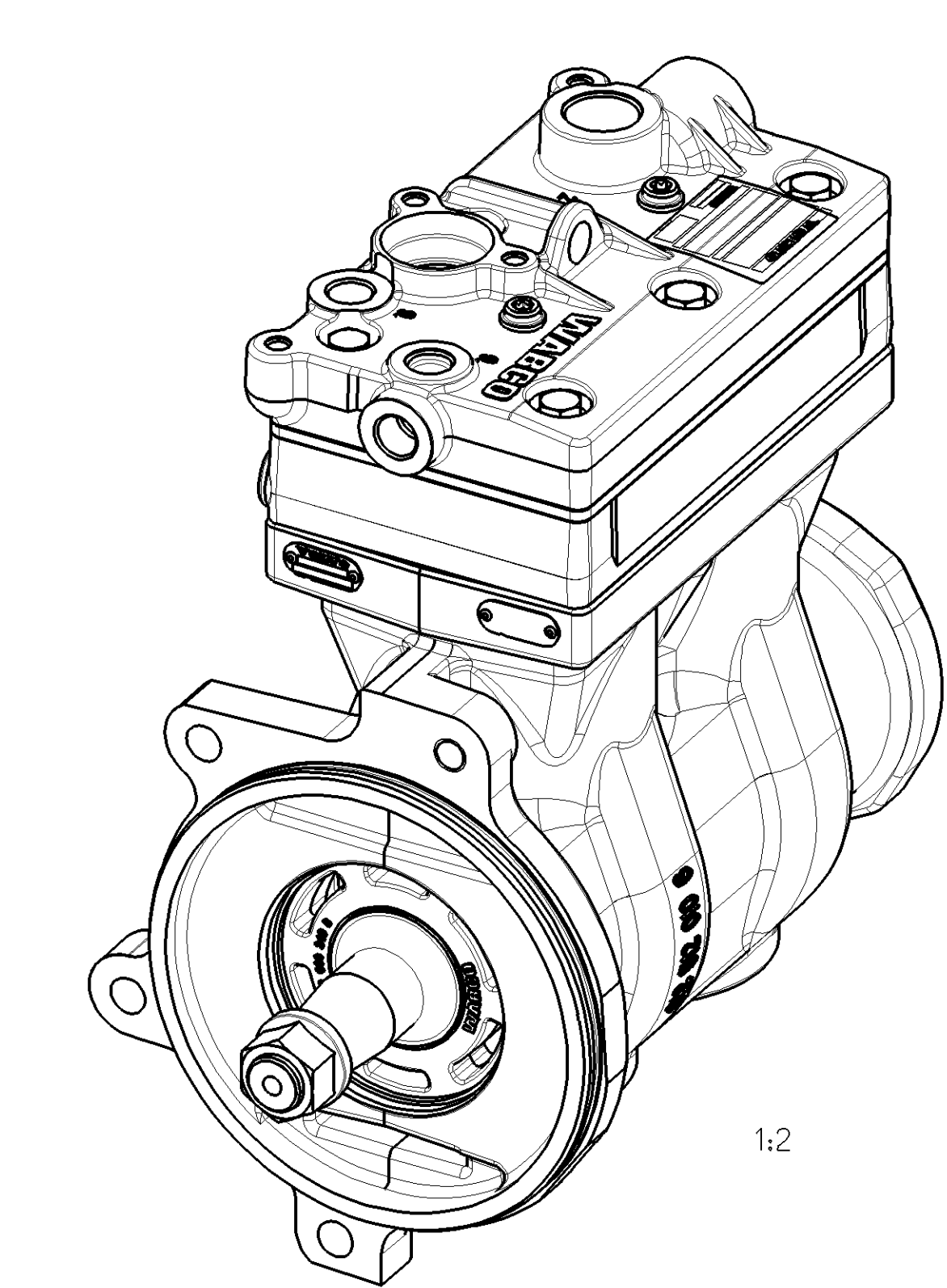
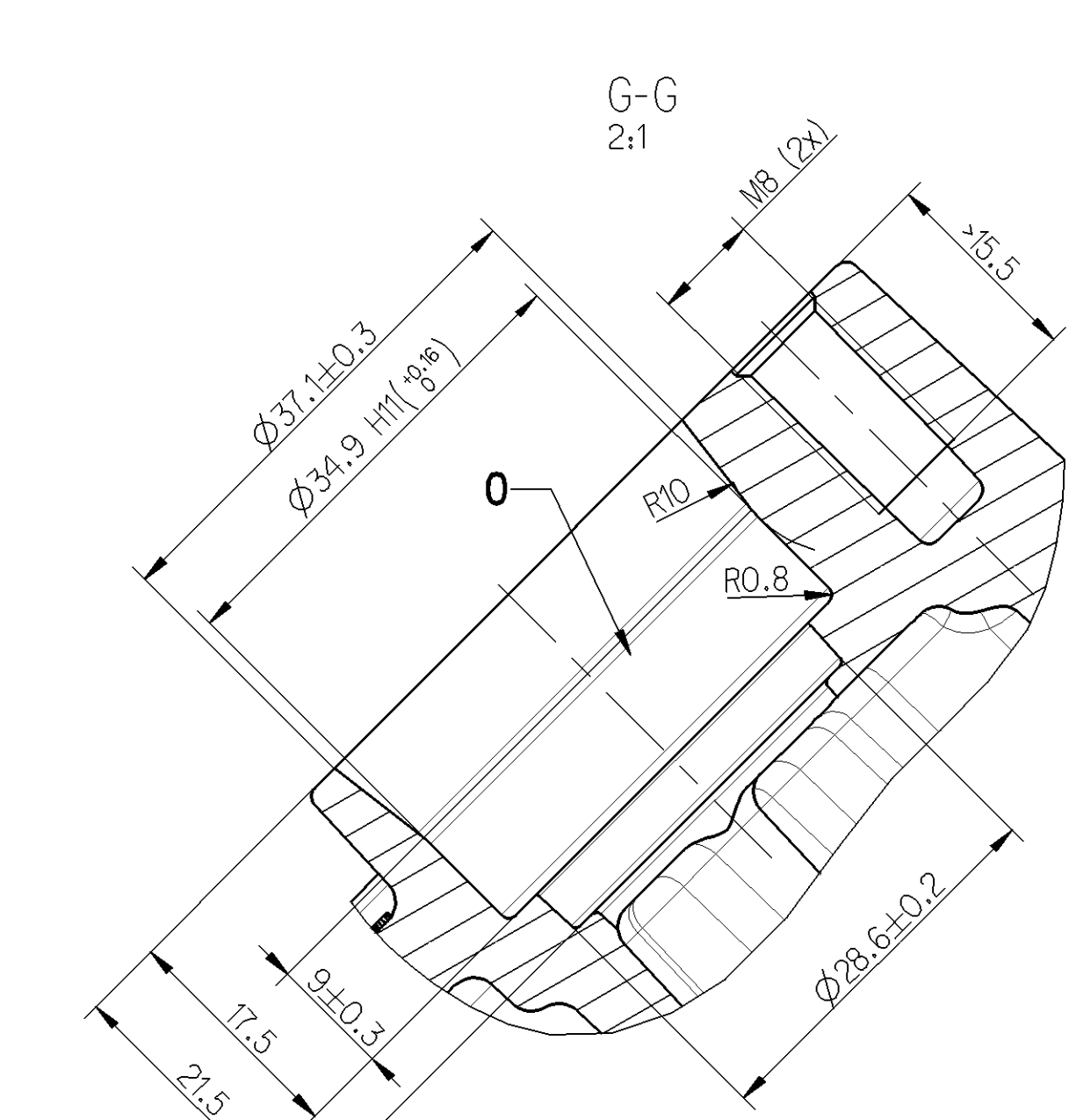
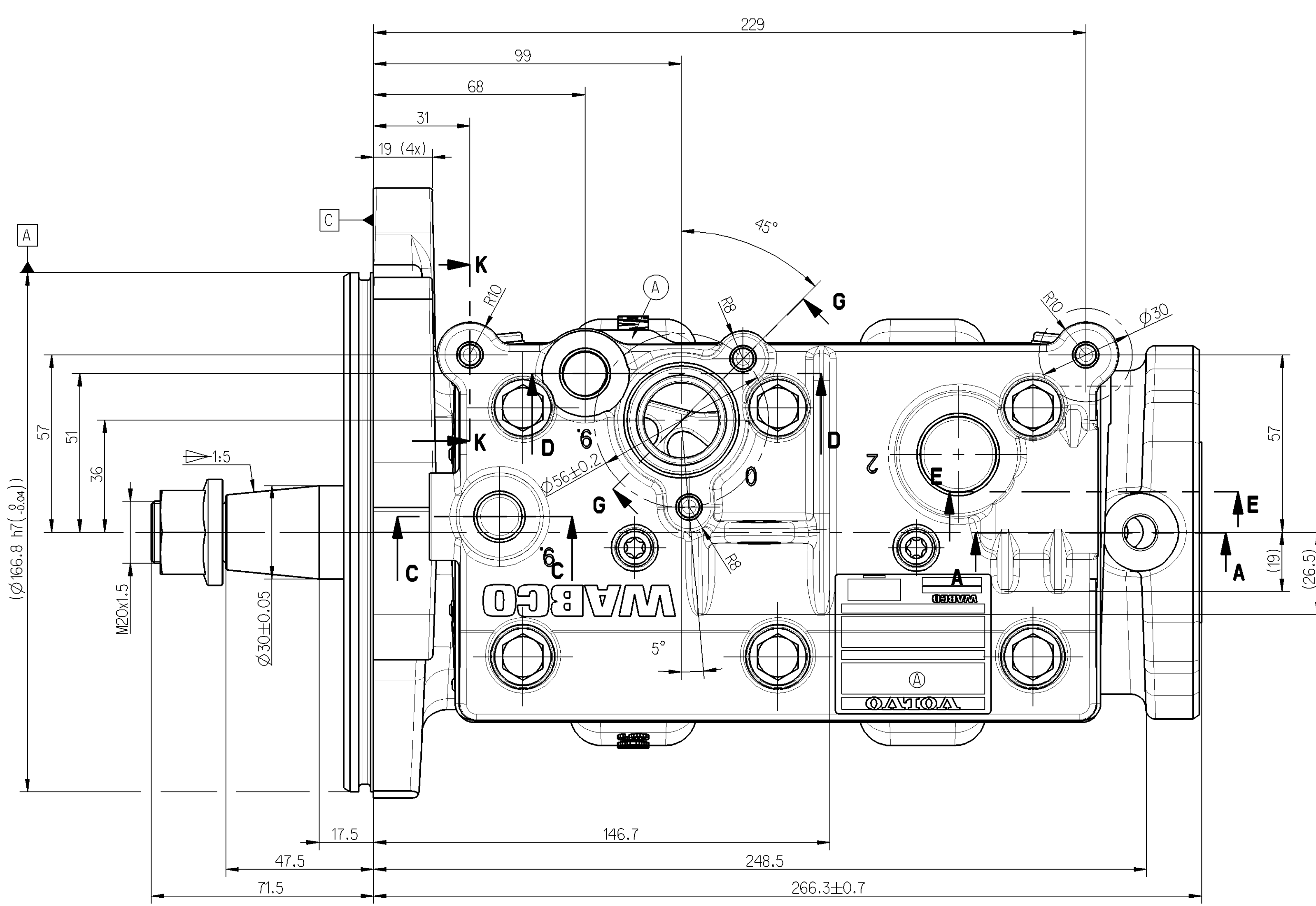
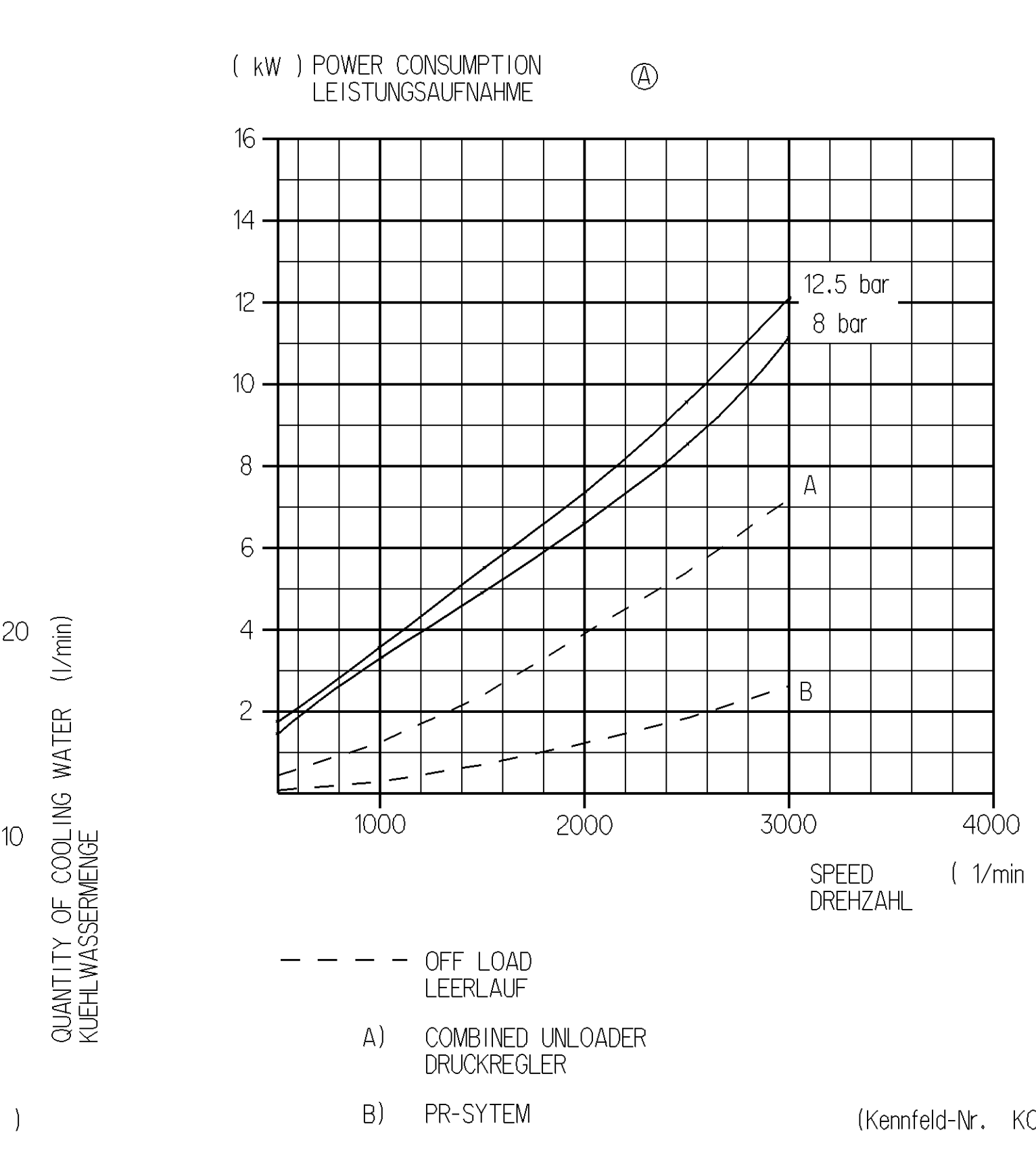
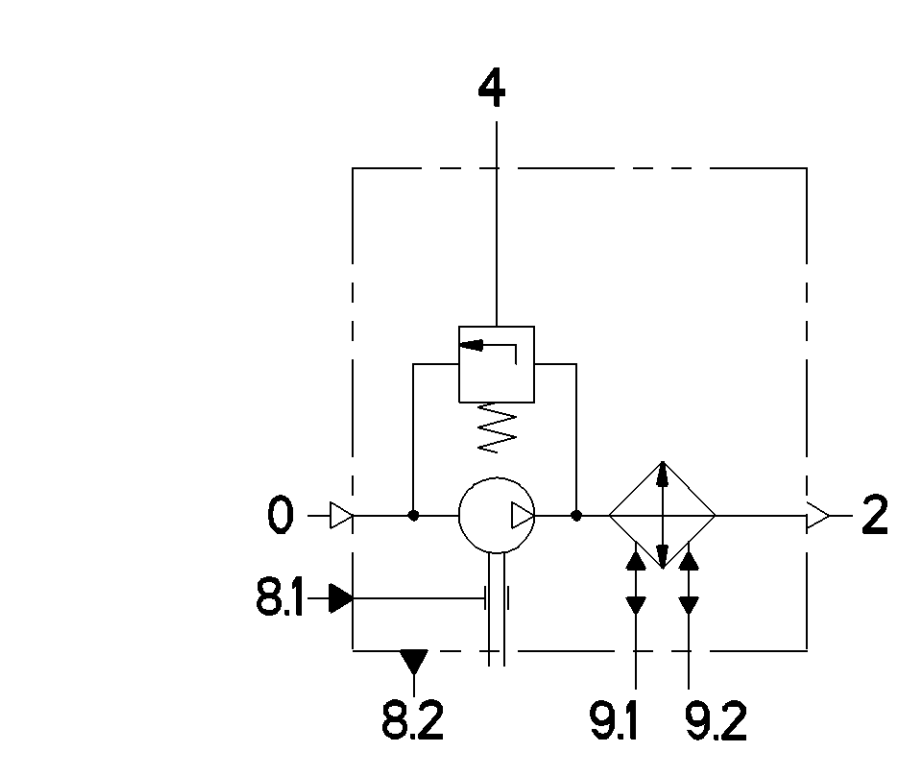
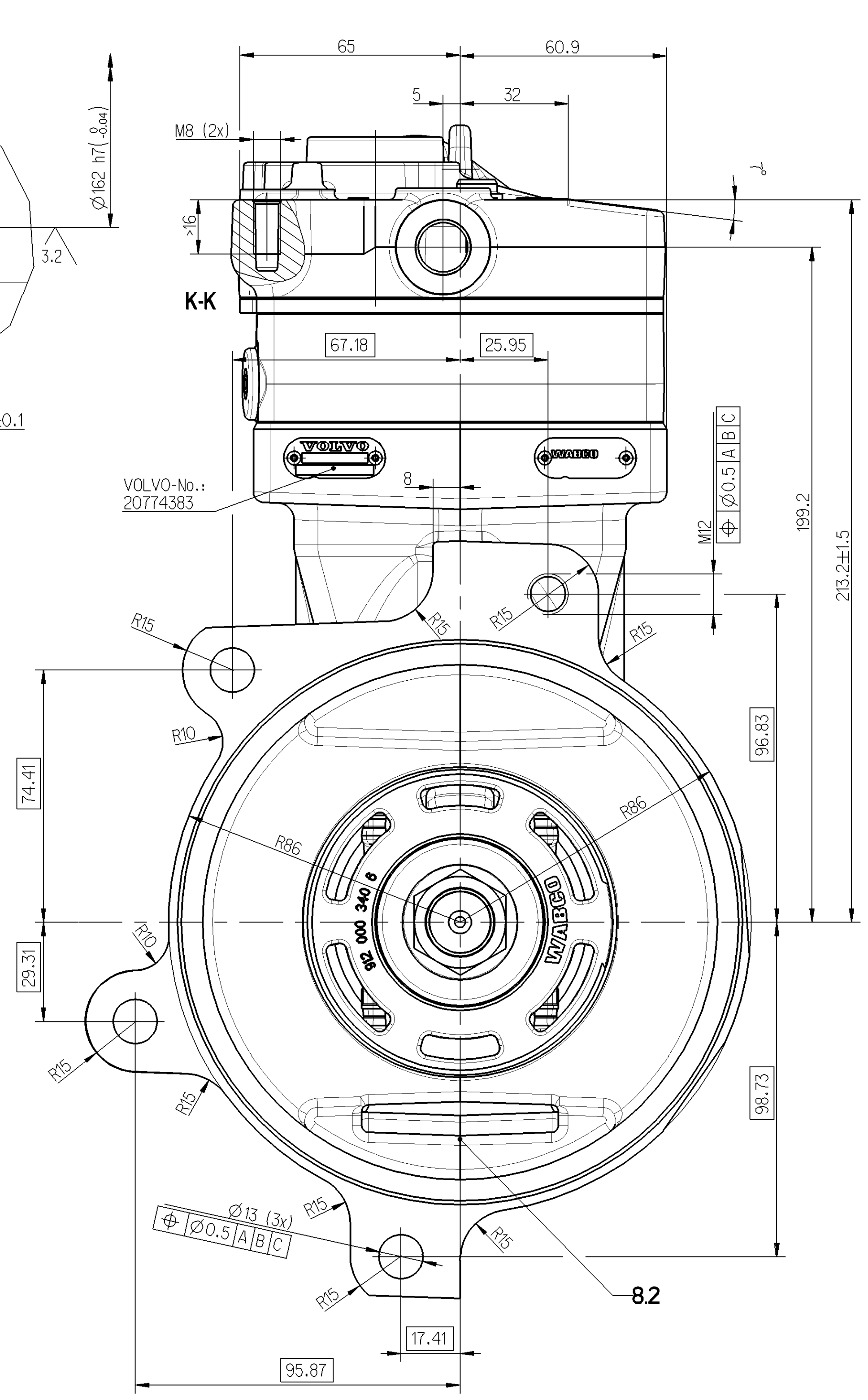
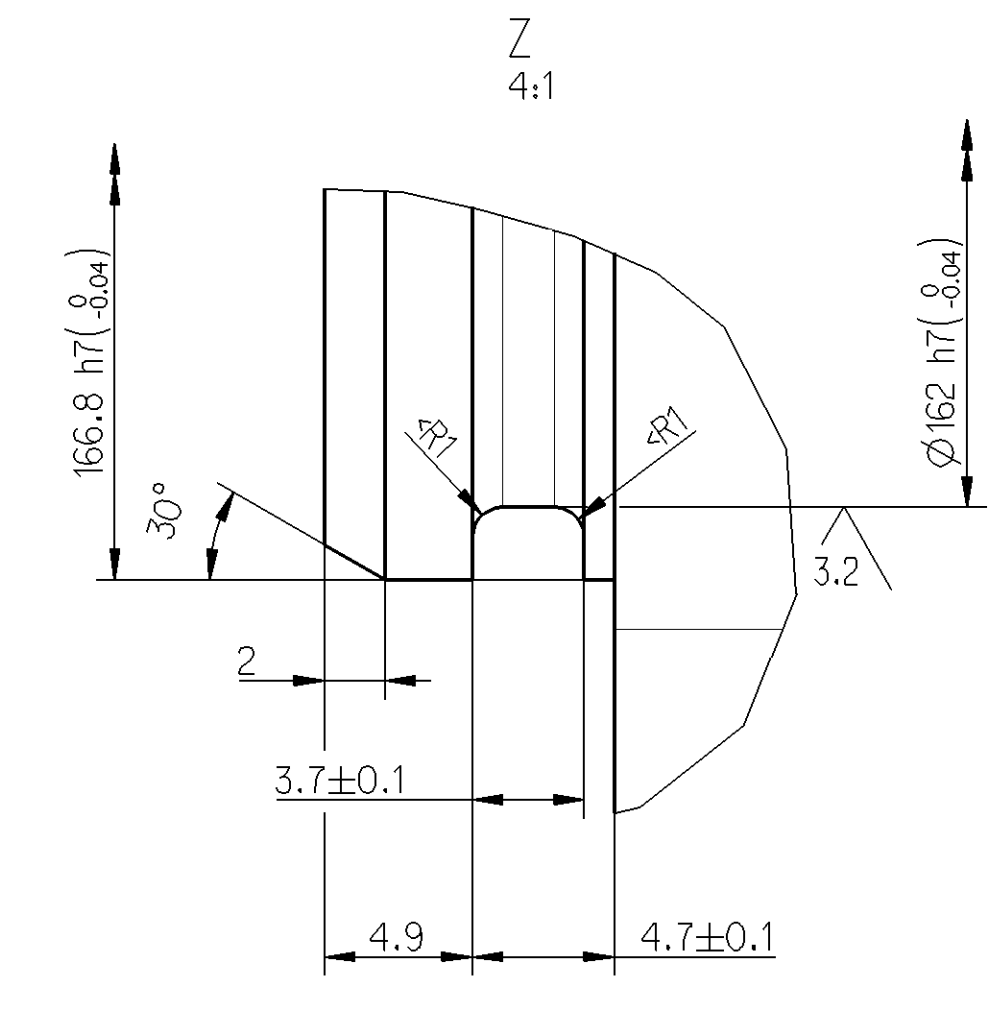
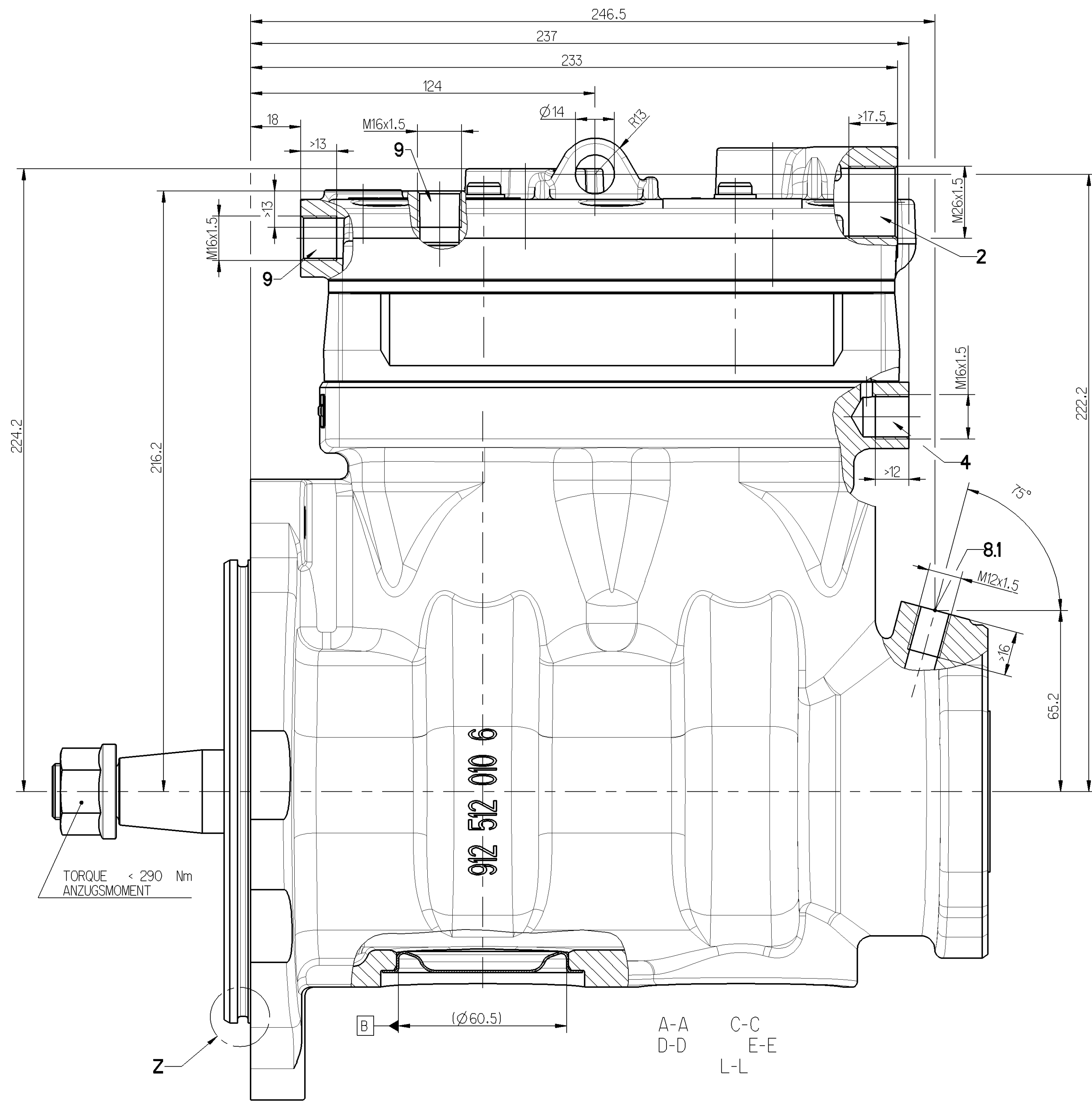
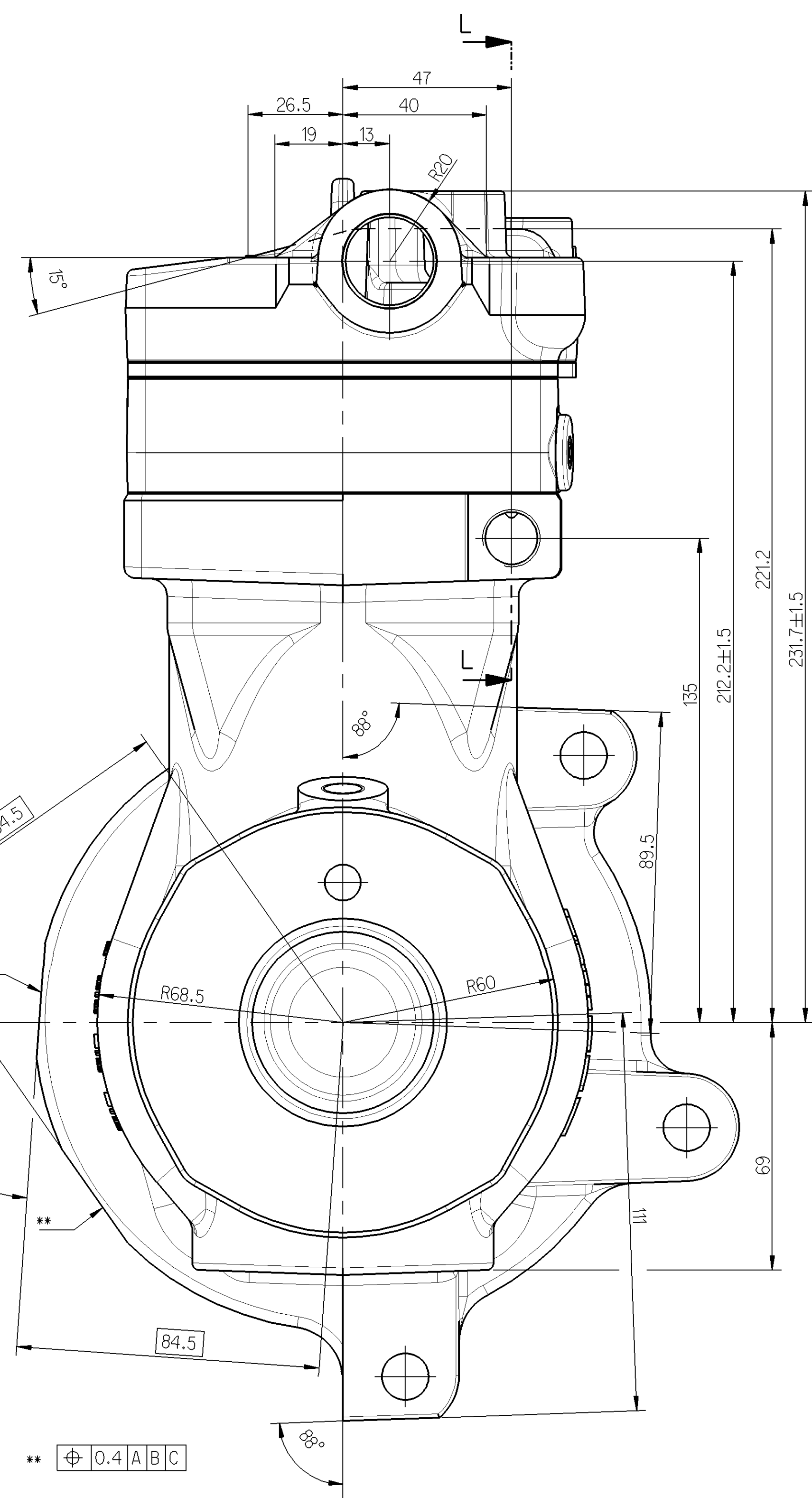
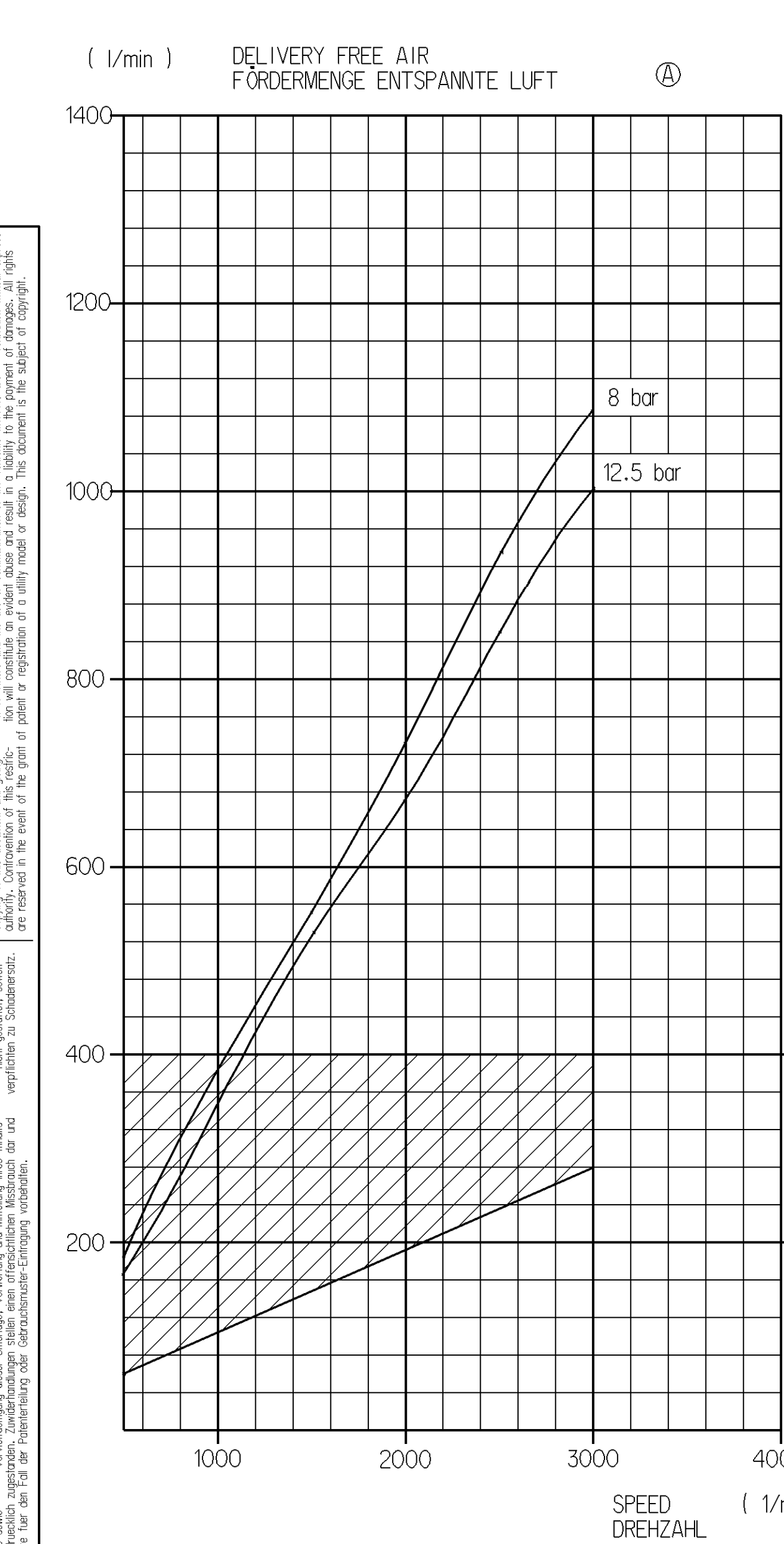
MAX. PRESSURE (TEMPORARILY MAX. 4 SEC.) : $p = 16 \text{ bar}^{**}$
 MAX. DRUCK (ZEITWEISE MAX. 4 SEC.) : $p = 16 \text{ bar}^{**}$

** MEASURING POINT: DISCHARGE PORT
 MESSPUNKT: DRUCKANSCHLUSS

MAX. PERMISSIBLE TILT DURING CONTINUOUS WORKING
 MAX. ZULAESSIGE NEIGUNG IM DAUERBETRIEB



- 0 SUCTION PORT SAUGANSCHLUSS
- 2 DISCHARGE PORT DRUCKANSCHLUSS M <= 150 Nm
- 4 GOVERNOR PORT STEUERANSCHLUSS M <= 25 Nm
- 8.1 OIL SUPPLY DRUCKÖLANSCHLUSS M <= 25 Nm
- 8.2 OIL DRAIN ÖLRÜCKLAUF
- 9 COOLANT CONNECTION KÜHLMITTELANSCHLUSS M <= 35 Nm



| | | | |
|---------------------------------------|------------------|----------------------|---------------------------------------|
| General Specification: 912 512 000 0 | | Copyright WABCO * | |
| Further Technical Info: 912 512 000 0 | Date: 2005-04-21 | Signature: Grosskopf | Doc. Code: 435 |
| Doc. Code: 435 | Drawn: 1 | Tr: 5 | 2005-04-21 |
| General Tolerances: DIN 251 | | Hole: H7/k6 | |
| Range of Nominal Dimensions (s. mm): | | Grosskopf | |
| Class 11 | ± 0.10 | 120 - 400 | ± 0.05 |
| Class 12 | ± 0.05 | 1.0 - 2.0 | ± 0.02 |
| Class 13 | ± 0.02 | 3.0 - 4.0 | ± 0.01 |
| Class 14 | ± 0.01 | 5.0 - 6.5 | ± 0.005 |
| Material: Al | Mass: 22.075 kg | Scale: 1:1 | Material No.: WABCO No. 912 512 005 0 |
| Material: Al | Mass: 22.075 kg | Scale: 1:1 | Doc. Code: Language: Sheet |
| Material: Al | Mass: 22.075 kg | Scale: 1:1 | Material No.: WABCO No. 912 512 005 0 |
| Material: Al | Mass: 22.075 kg | Scale: 1:1 | Doc. Code: Language: Sheet |
| Material: Al | Mass: 22.075 kg | Scale: 1:1 | Material No.: WABCO No. 912 512 005 0 |
| Material: Al | Mass: 22.075 kg | Scale: 1:1 | Doc. Code: Language: Sheet |