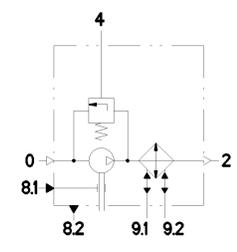
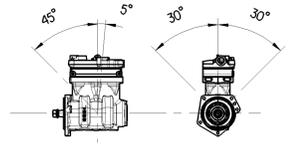
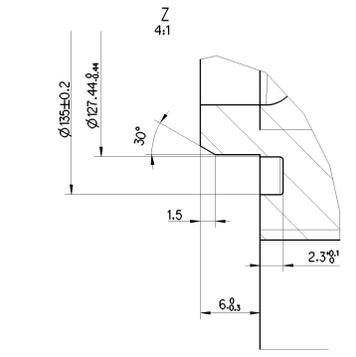
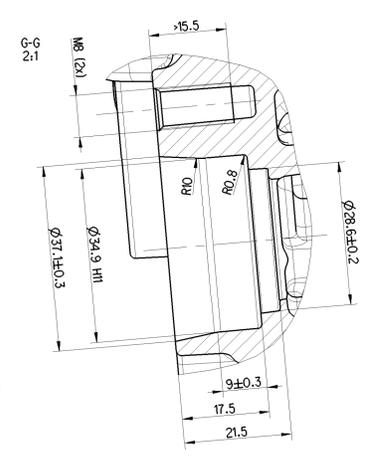
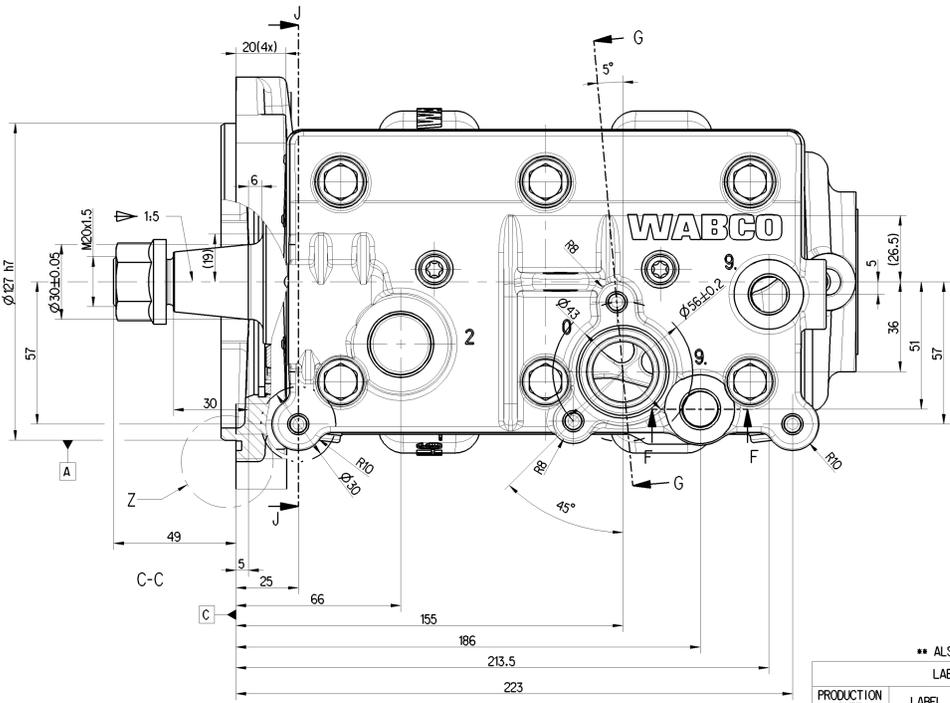
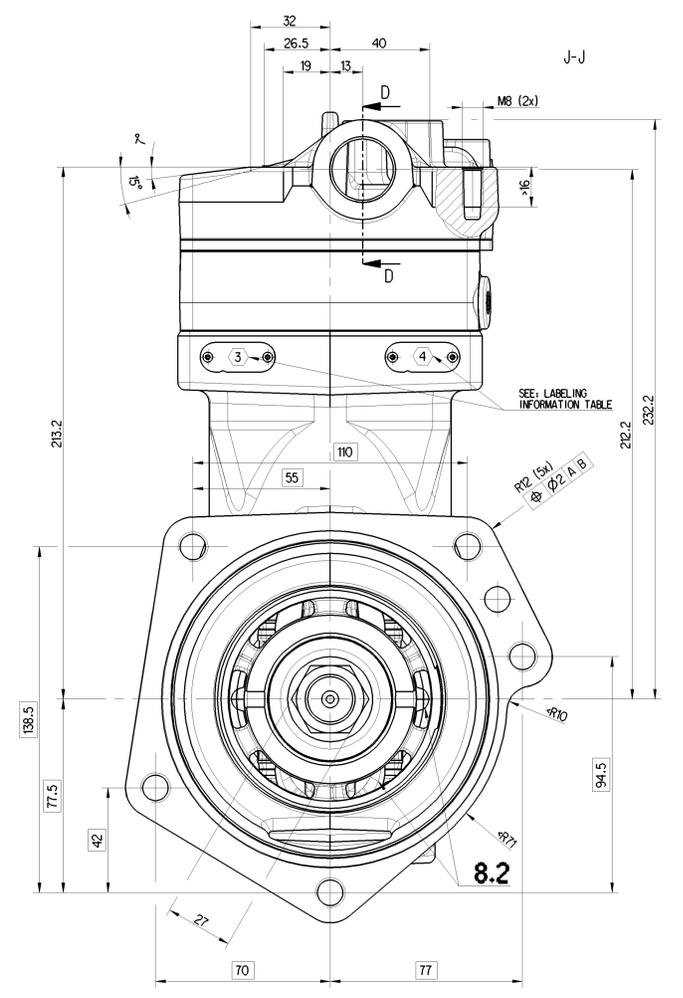
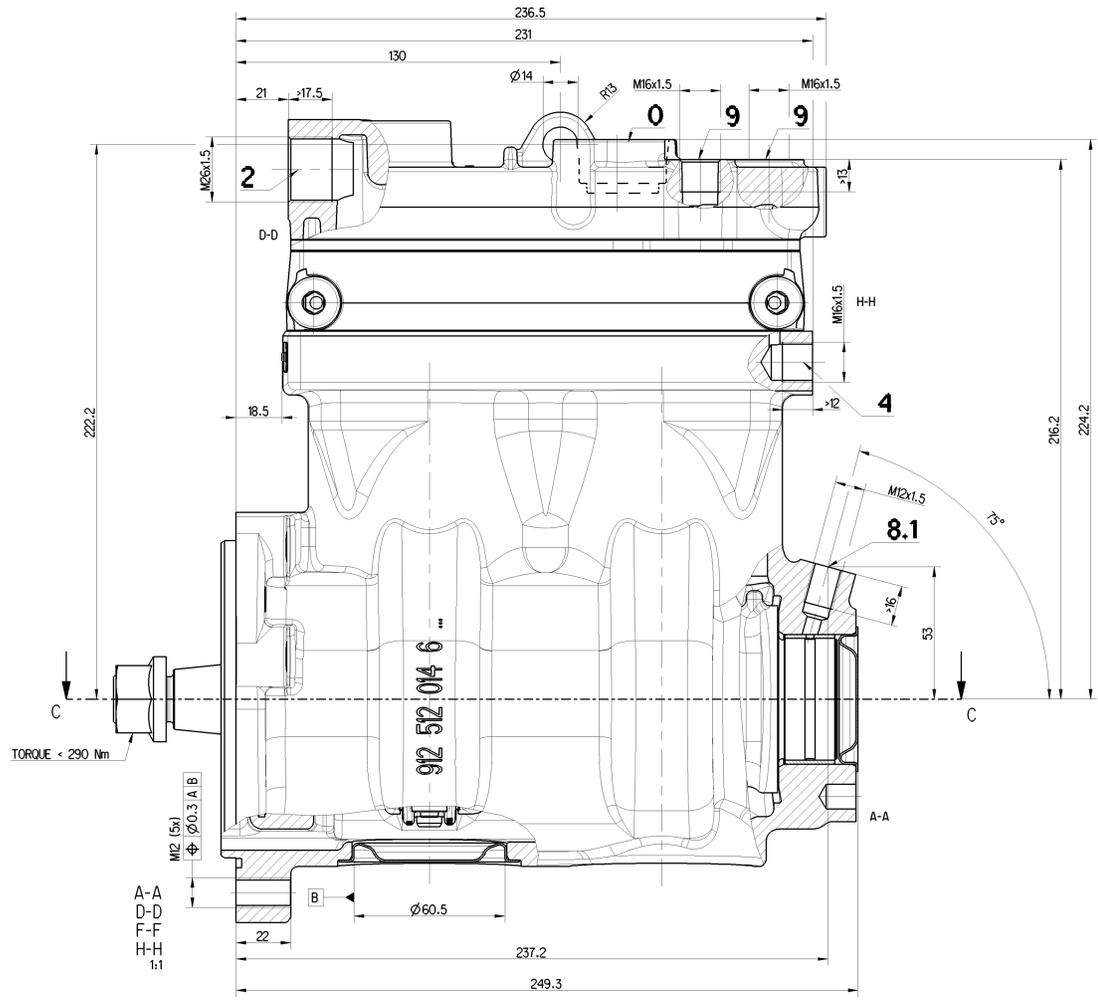
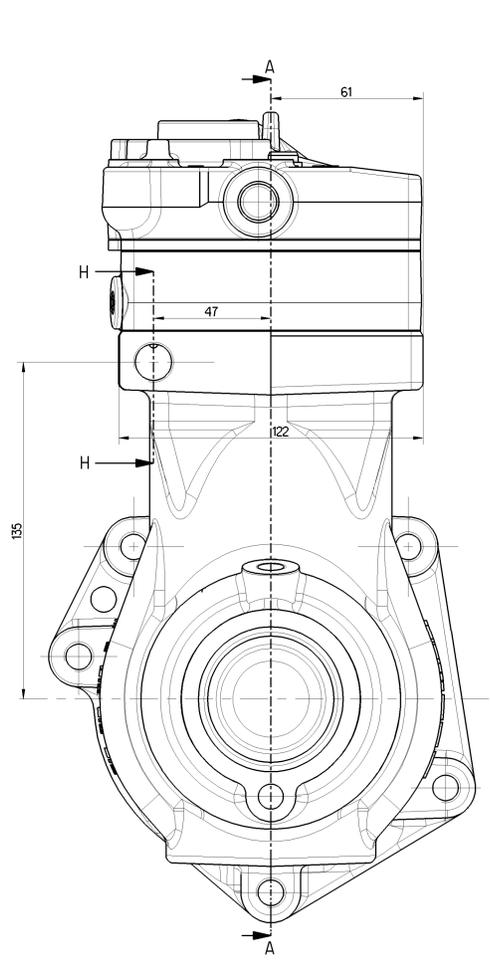
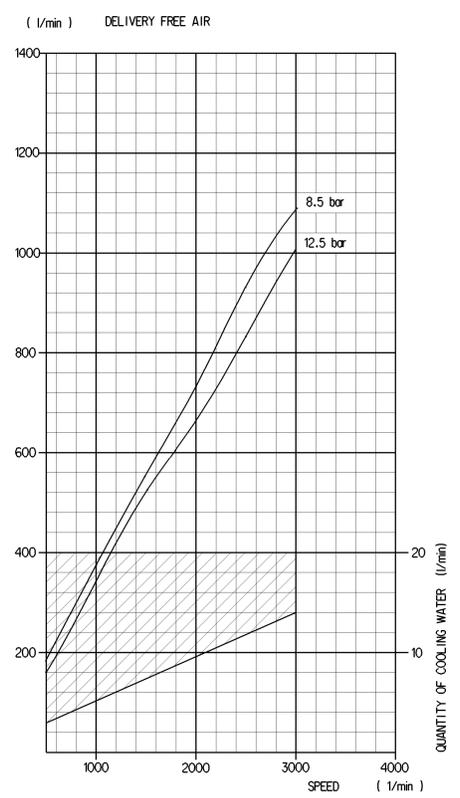
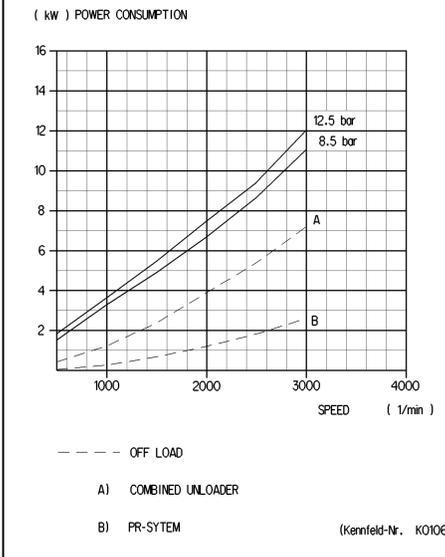


WORKING MEDIUM	AIR
COOLANT	WATER WITH ANTIFREEZE
BORE	∅ 85 mm
STROKE	56 mm
SWEPT VOLUME	636 cm ³
MAX. WORKING SPEED	n _{max} = 3000 min ⁻¹
OVERSPEED (MAX. 4 SEC.)	n _{ue} = 1.3 x n _{max}
MAX. WORKING PRESSURE	14 bar ①
TOP PRESSURE (MAX. 4 SEC)	16 bar ①
LUBRICATION SUPPLIED FROM ENGINE	
PAINTED BLACK ON NOT MACHINED CAST IRON SURFACES	
FREE FROM ASBESTOS	

① MEASURE AT DISCHARGE PORT
MAX. PERMISSIBLE TILT DURING CONTINUOUS WORKING



0	SUCTION PORT	
2	DISCHARGE PORT	M ≤ 67 Nm ②
4	GOVERNOR PORT	M ≤ 45 Nm ②
8.1	OIL SUPPLY	M ≤ 30 Nm ②
8.2	OIL DRAIN	
9.1	COOLANT CONNECTION	M ≤ 34 Nm ②
9.2	COOLANT CONNECTION	



•• ALSO VALID FOR PRI: 037, 003
LABELING INFORMATION TABLE (SEE ALSO DOC.922)

PRODUCTION SITE	LABEL	LABEL ID NUMBER	LABEL LAYOUT
PRI 048 ••	③	899 052 930 4 (NOT APPLICABLE FOR IAM)	PARMA CODE: STANOWICE (POLAND); 45295 VOLVO NUMBER: 85000648
	④	899 050 145 4	PRODUCTION DATE WABCO ID NUMBER

General Specifications: JED-534-1, Size 150, 144/20 LP	Doc. Code: 035	Doc. Title: 912 512 006 R	Doc. Issue: 5	Doc. Date: 2019-03-19	Doc. Author: Zygmunt	Doc. Language: EN	Doc. Type: Drawing
Class: 1	1.50	1.80	2.00	2.50	3.00	4.00	4.00
Medium: X	1.0	2.0	3.0	4.0	4.0	±3°	±3°
Course: 1	2.0	3.5	5.0	6.5	6.5		
Scale: 1:1	19, 899	1:1	912 512 006 R	006	EN	1/1	2019-09-14
Author: A O	CREO	19484	14	C	2019		

② ACCORDING TO JED-366