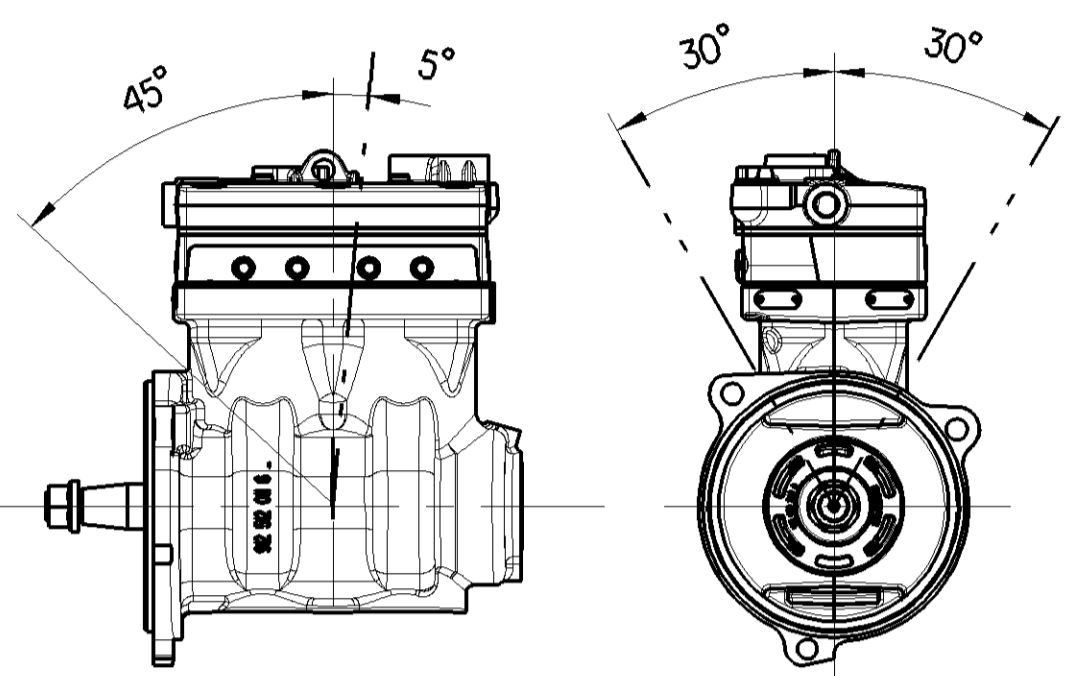


WORKING MEDIUM	AIR
COOLANT	WATER WITH ANTIFREEZE
BORE	$\varnothing$ 85 mm
STROKE	56 mm
SWEPT VOLUME	636 cm <sup>3</sup>
MAX. WORKING SPEED	$n_{max} = 3000 \text{ min}^{-1}$
OVERSPEED (MAX. 4 SEC.)	$n_{us} = 1.3 \times n_{max}$
MAX. WORKING PRESSURE	14 bar ①
MAX. PRESSURE (TEMPORARILY MAX. 4 SEC.)	16 bar ①
LUBRICATION SUPPLIED FROM ENGINE	

① MEASURING POINT: DISCHARGE PORT

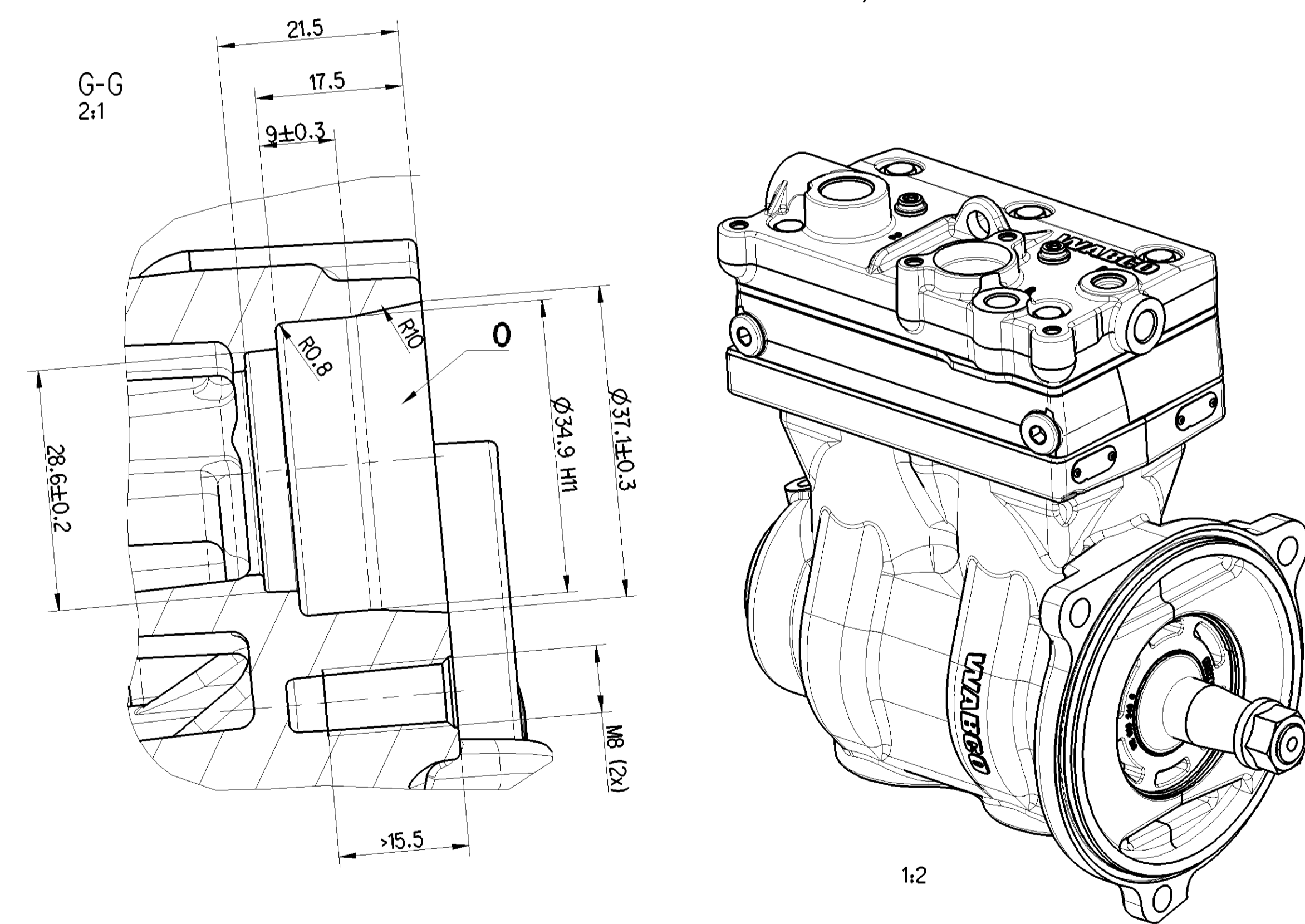
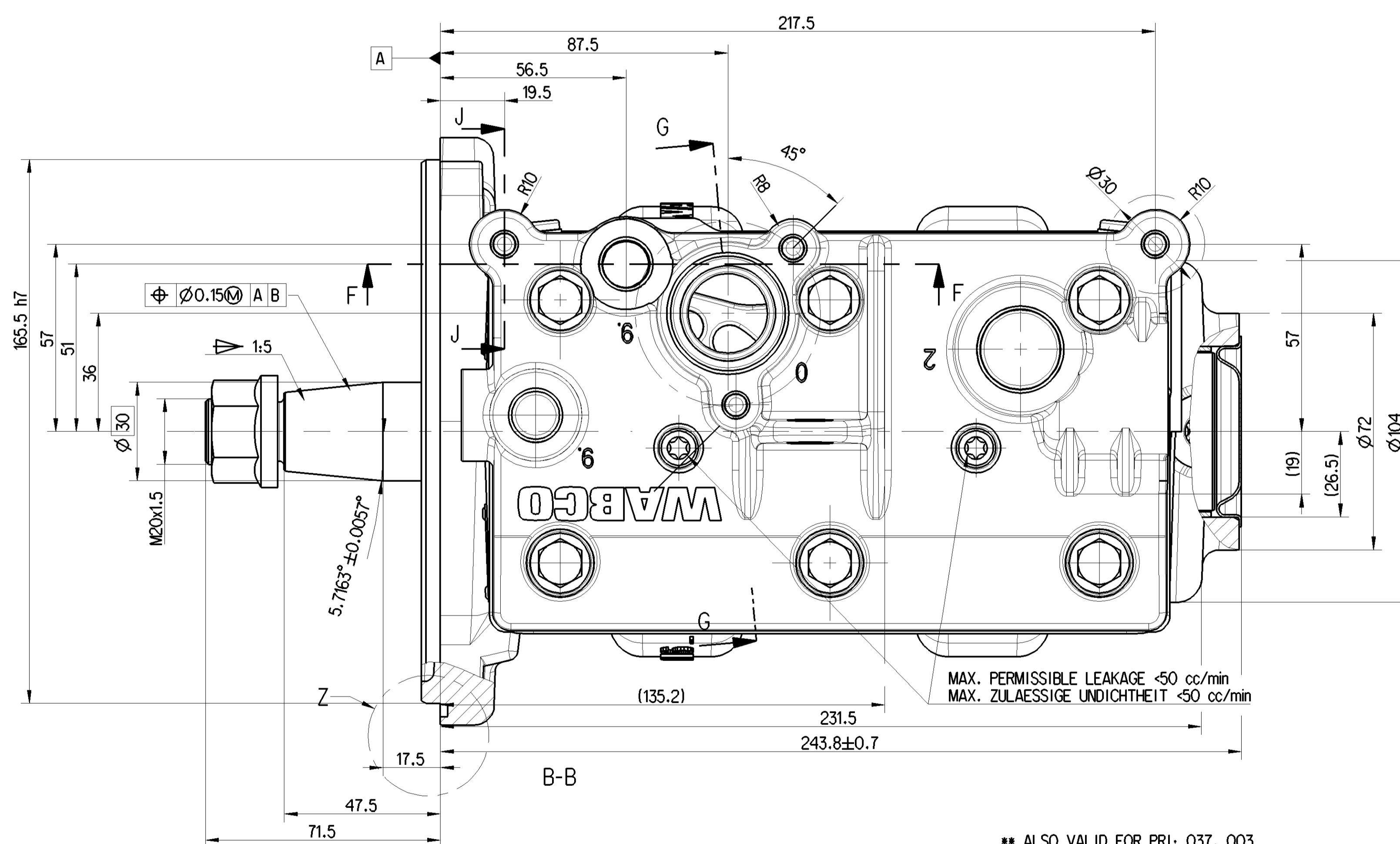
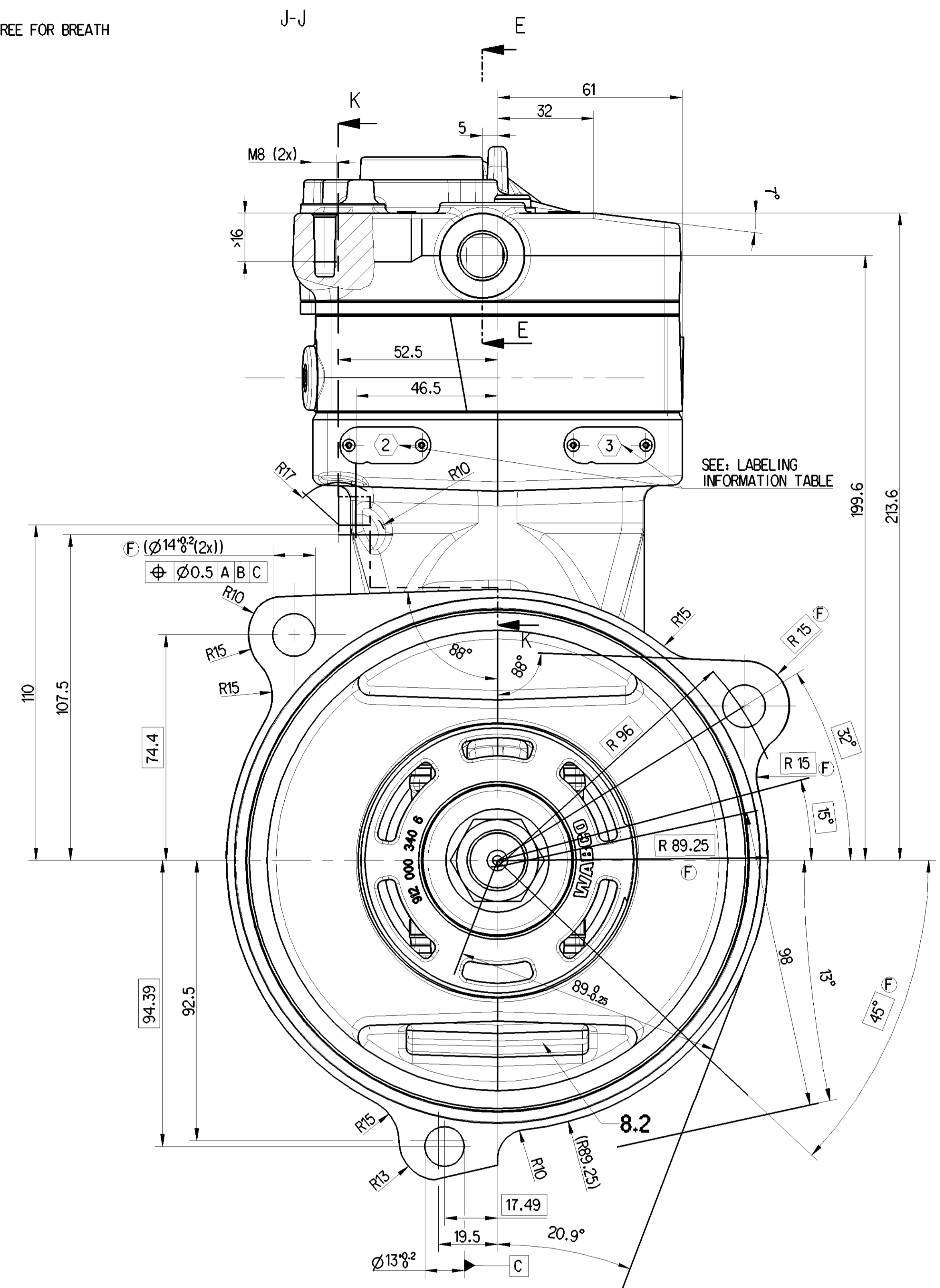
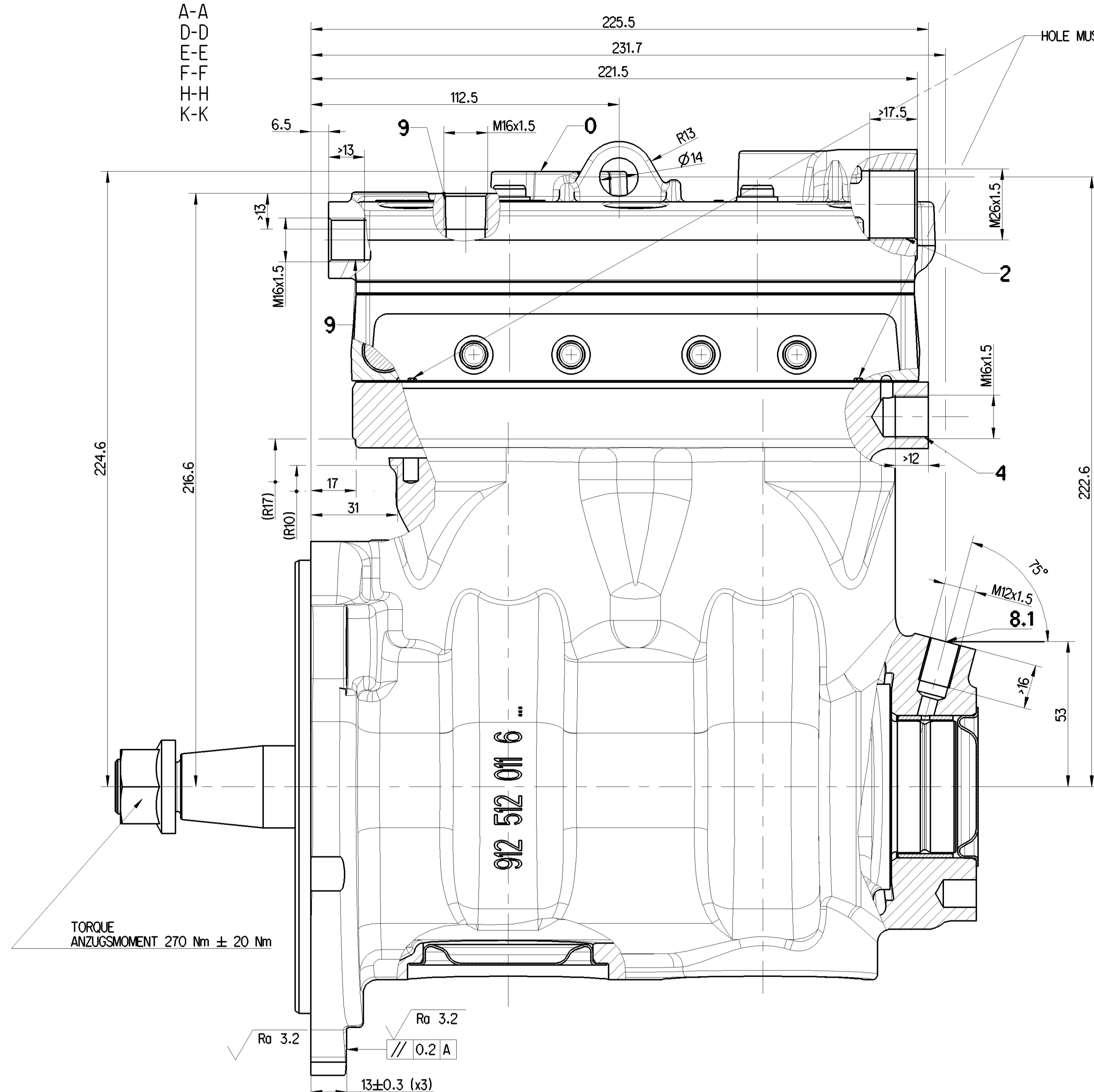
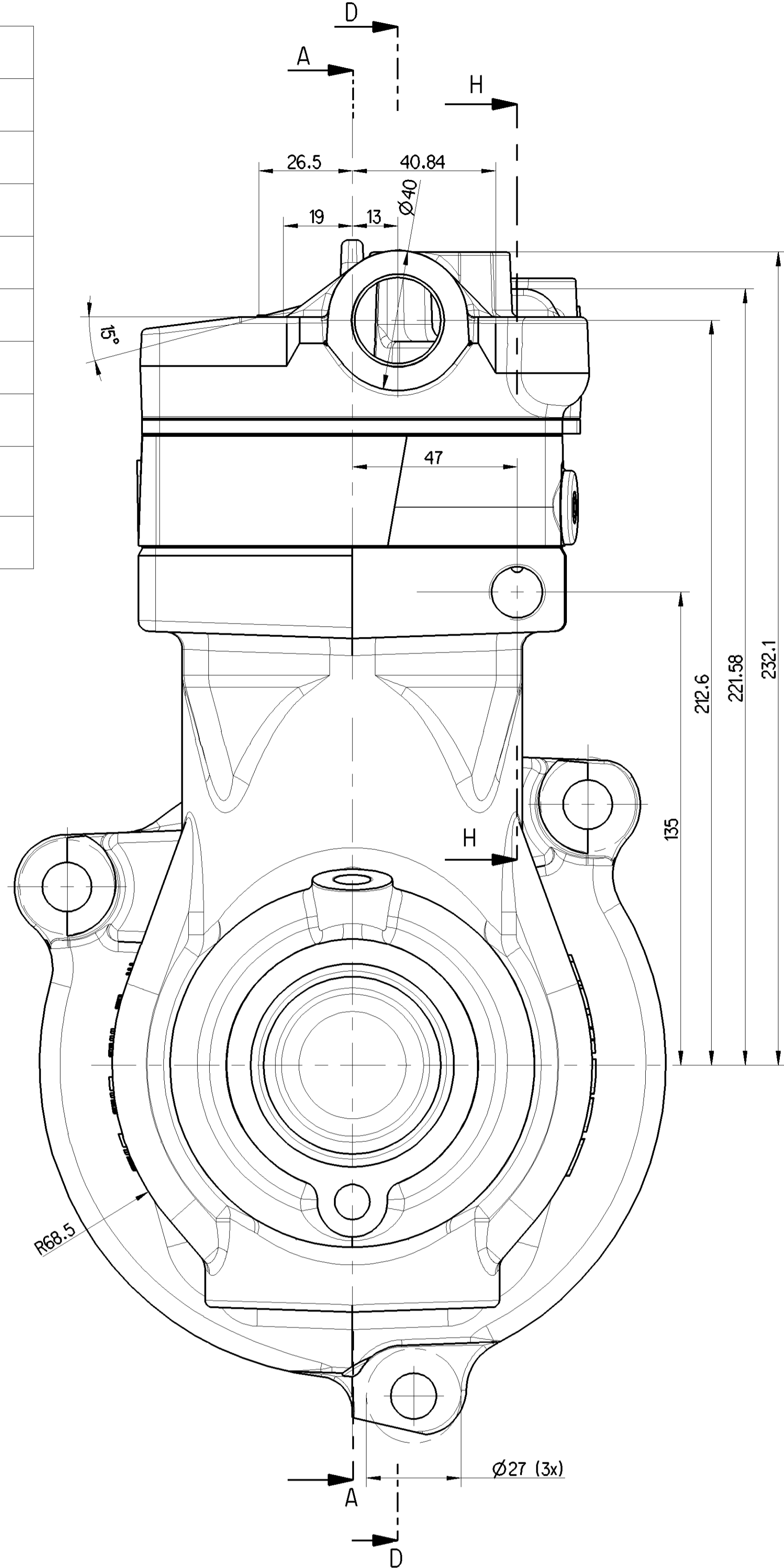
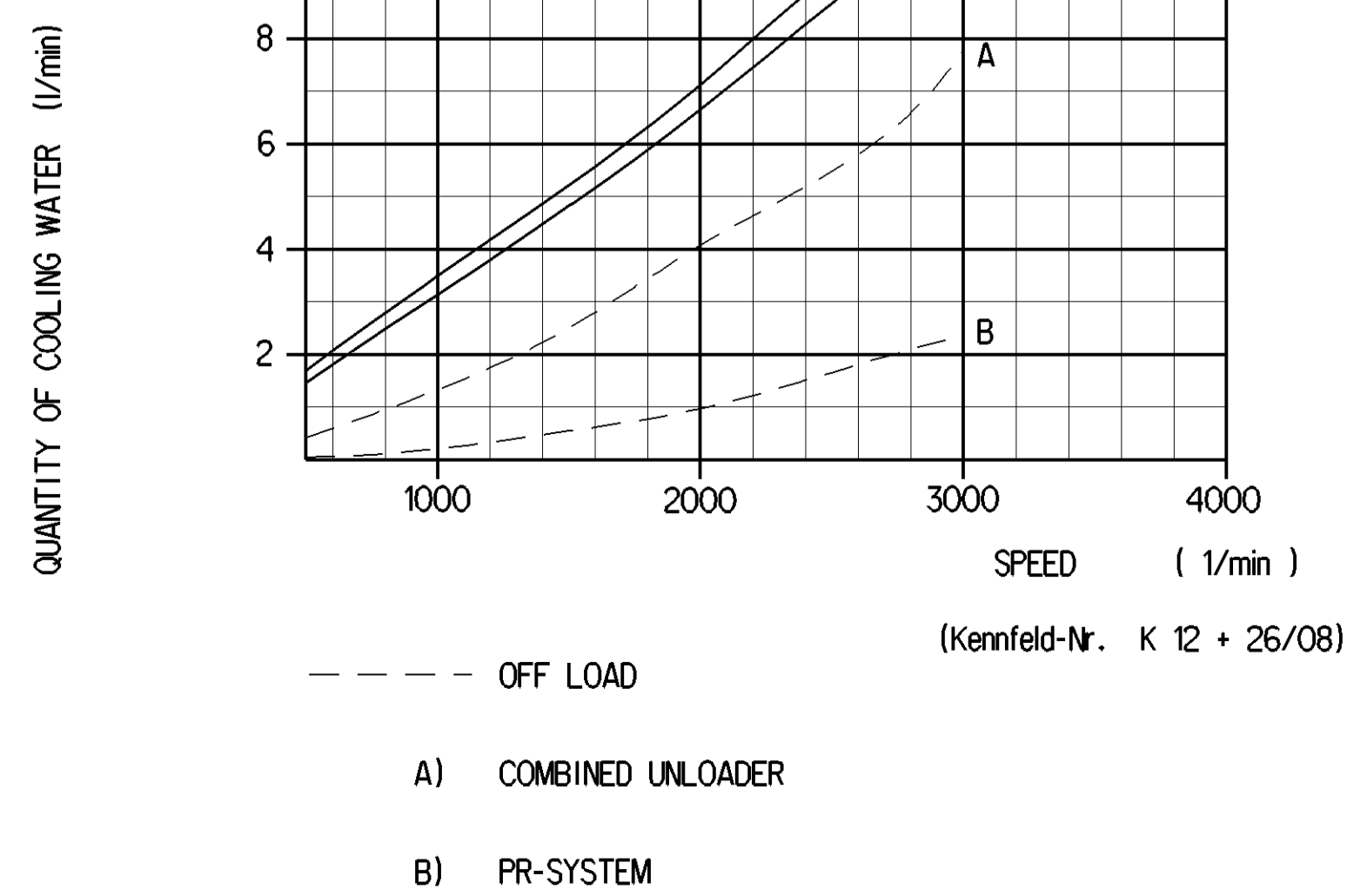
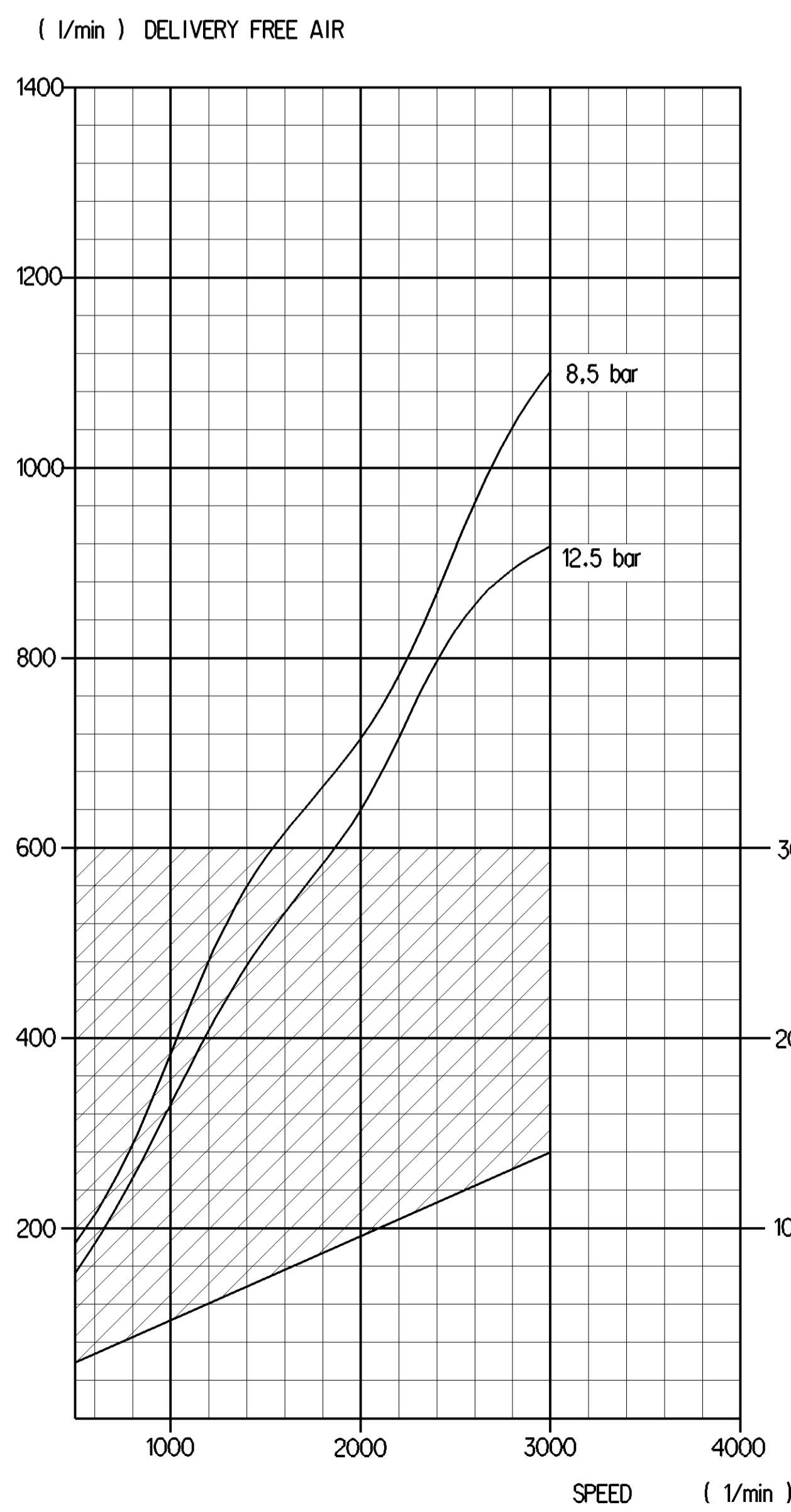
MAX. PERMISSIBLE TILT DURING CONTINUOUS WORKING



0	SUCTION PORT	
2	DISCHARGE PORT	$M \leq 67 \text{ Nm}$ ④
4	GOVERNOR PORT	$M \leq 34 \text{ Nm}$ ④
8.1	OIL SUPPLY	$M \leq 21 \text{ Nm}$ ④
8.2	OIL DRAIN	
9	COOLANT CONNECTION	$M \leq 34 \text{ Nm}$ ④

9.1 → 9.2 DIRECTIONS OF FLOW

④ ACCORDING TO JED-366



\*\* ALSO VALID FOR PRI: 037, 003  
## OPTIONAL FOR PRI 049 AND PRI 105

LABELING INFORMATION TABLE (SEE ALSO DOC. 922)			
VALID FOR AIR COMPRESSOR	PRODUCTION SITE	LABEL ID NUMBER	LABEL LAYOUT
912 512 029 R	PRI 008	②	NAME PLATE NOT APPLICABLE
		③	899 052 580 4 PRODUCTION DATE WABCO ID NUMBER
	PRI 048 ** PRI 049 PRI 105	②	899 050 145 4 PRODUCTION DATE WABCO ID NUMBER
		③	899 052 930 4 ** (NOT APPLICABLE FOR 1AM) PARMA CODE: STANOWICE (POLAND): 45295 VOLVO NUMBER: 85013935
912 542 007 R	PRI 049	③	899 053 923 4 (NOT APPLICABLE FOR 1AM) CUSTOMER ID NUMBER PRODUCTION DATE
		②	899 050 145 4 WABCO ID NUMBER

WABCO-NUMBER		REPLACEMENT FOR	
912 512 029 R		912 512 029 0	
912 514 009 R		912 514 009 0	
912 542 007 R		912 542 007 0	
912 551 006 R		912 551 006 0	

General Specifications: JED-354-0		Copyright WABCO	
Further Technical Data: 912 512 008 0		Title: Systems	
Doc. Code: 035		Date: 2021-08-23	
Revision: 01		Drawn: Malyt	
General Tolerances: JED-261		Checked: Malyt	
Range of Nominal Dimensions (d in mm)		2021-08-24	
Class 0: ± 0.05		Scale: 1:1	
Class 1: ± 0.10		Part: 912 512 029 R	
Class 2: ± 0.15		Date of first issue: 2014-11-01	
Class 3: ± 0.20		Doc. Code: Language: EN	
Class 4: ± 0.30		Sheet: 053 EN 1/1	
Class 5: ± 0.50		Material: Steel	
Class 6: ± 1.00		Metric: 507545	
Class 7: ± 1.50		Tolerances: 7x F	
Class 8: ± 2.00		Units: mm	
Class 9: ± 3.00		Reference: 5000_MW	
Class 10: ± 4.00		Replacement for:	
Class 11: ± 5.00			
Class 12: ± 6.50			
Tapped Holes acc. JED-102			
Tolerance class: JED-102			