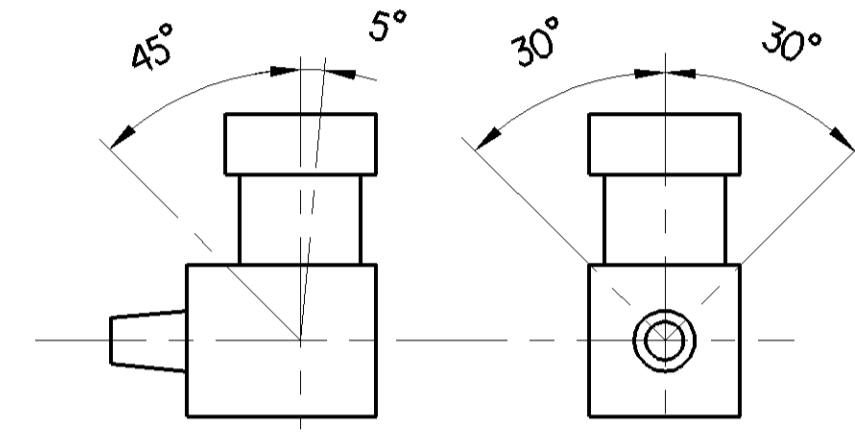


WORKING MEDIUM	AIR
COOLANT	WATER WITH ANTIFREEZE
BORE	∅ 85 mm
STROKE	56 mm
SWEPT VOLUME	636 cm ³
MAX. WORKING SPEED	$n_{max} = 3000 \text{ min}^{-1}$
OVERSPEED (MAX. 4 SEC.)	$n_{ue} = 1.3 \times n_{max}$
MAX. WORKING PRESSURE	14 bar (5)
MAX. PRESSURE (TEMPORARILY MAX. 4 SEC.)	16 bar (5)
LUBRICATION SUPPLIED FROM ENGINE	

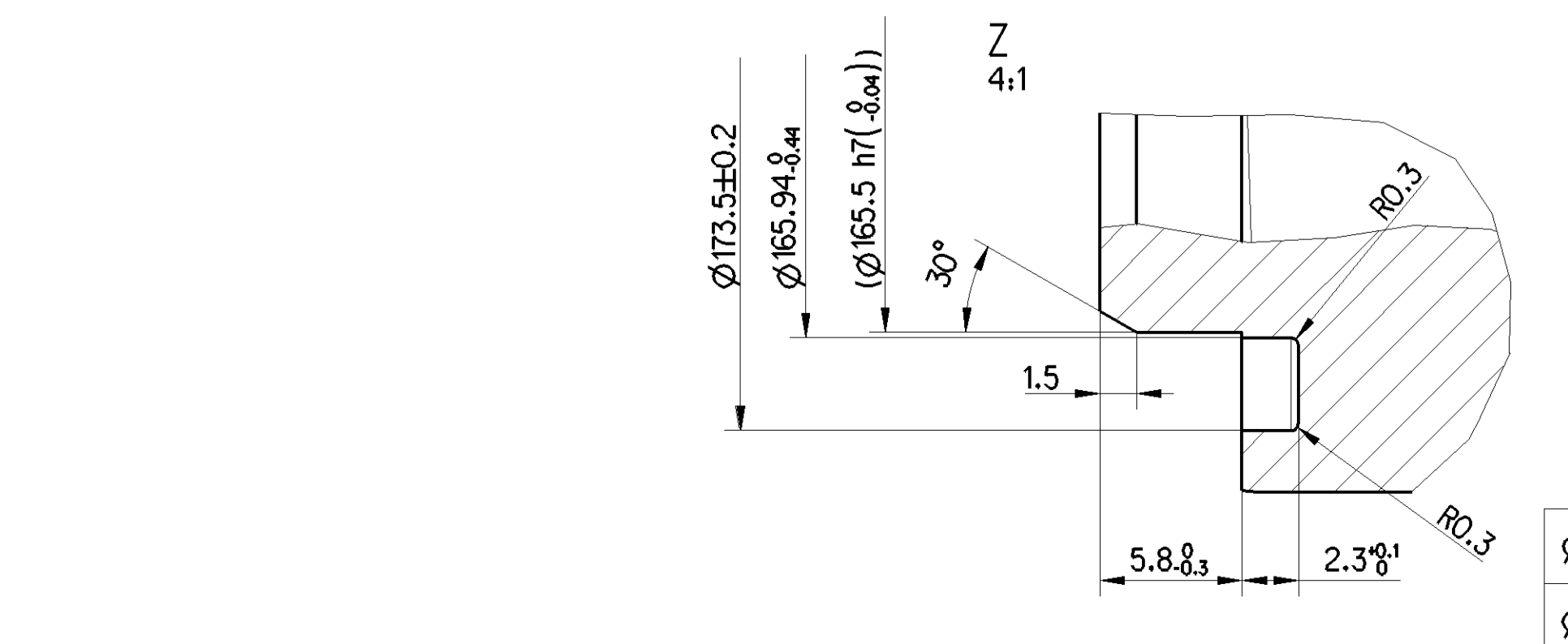
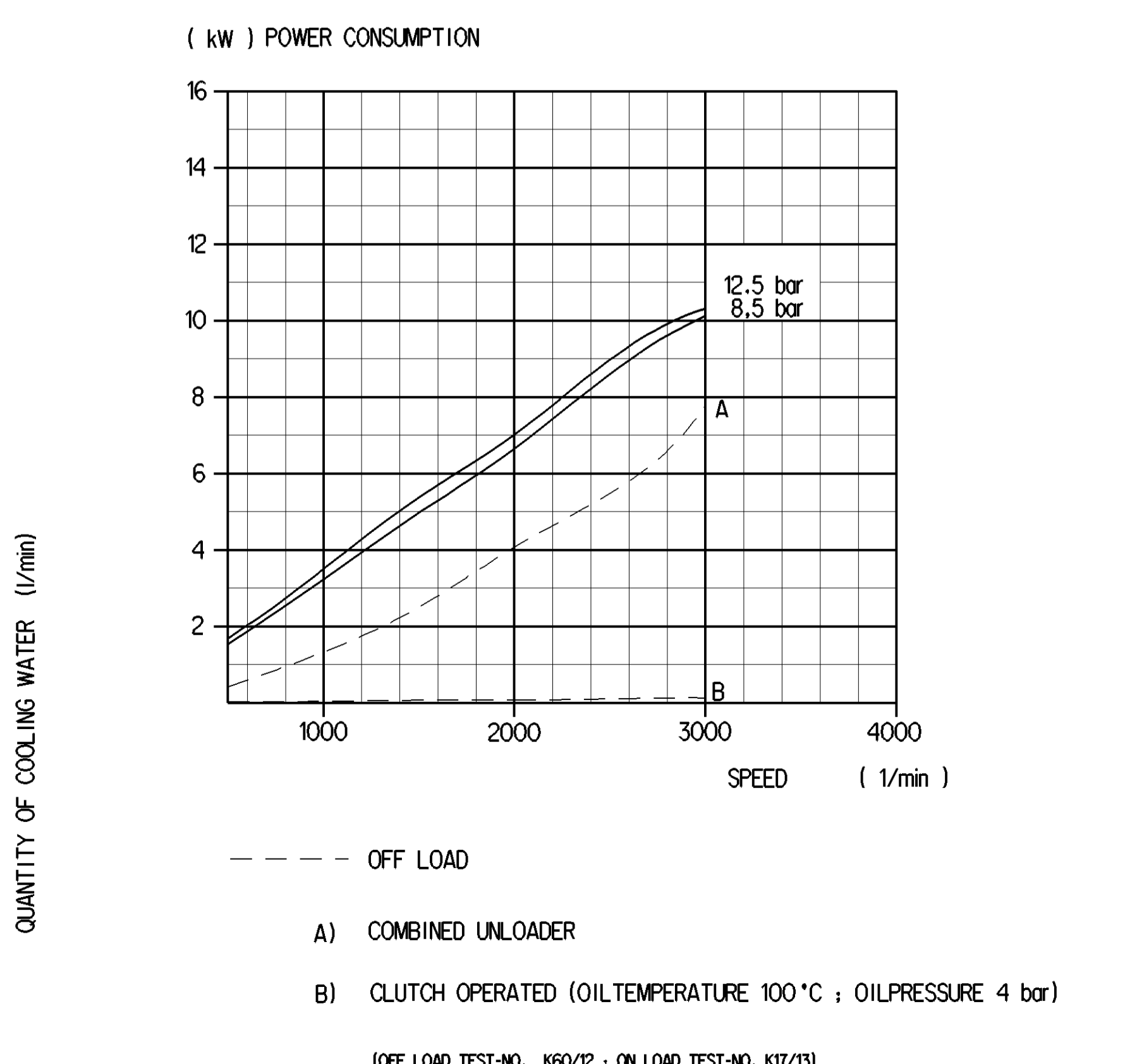
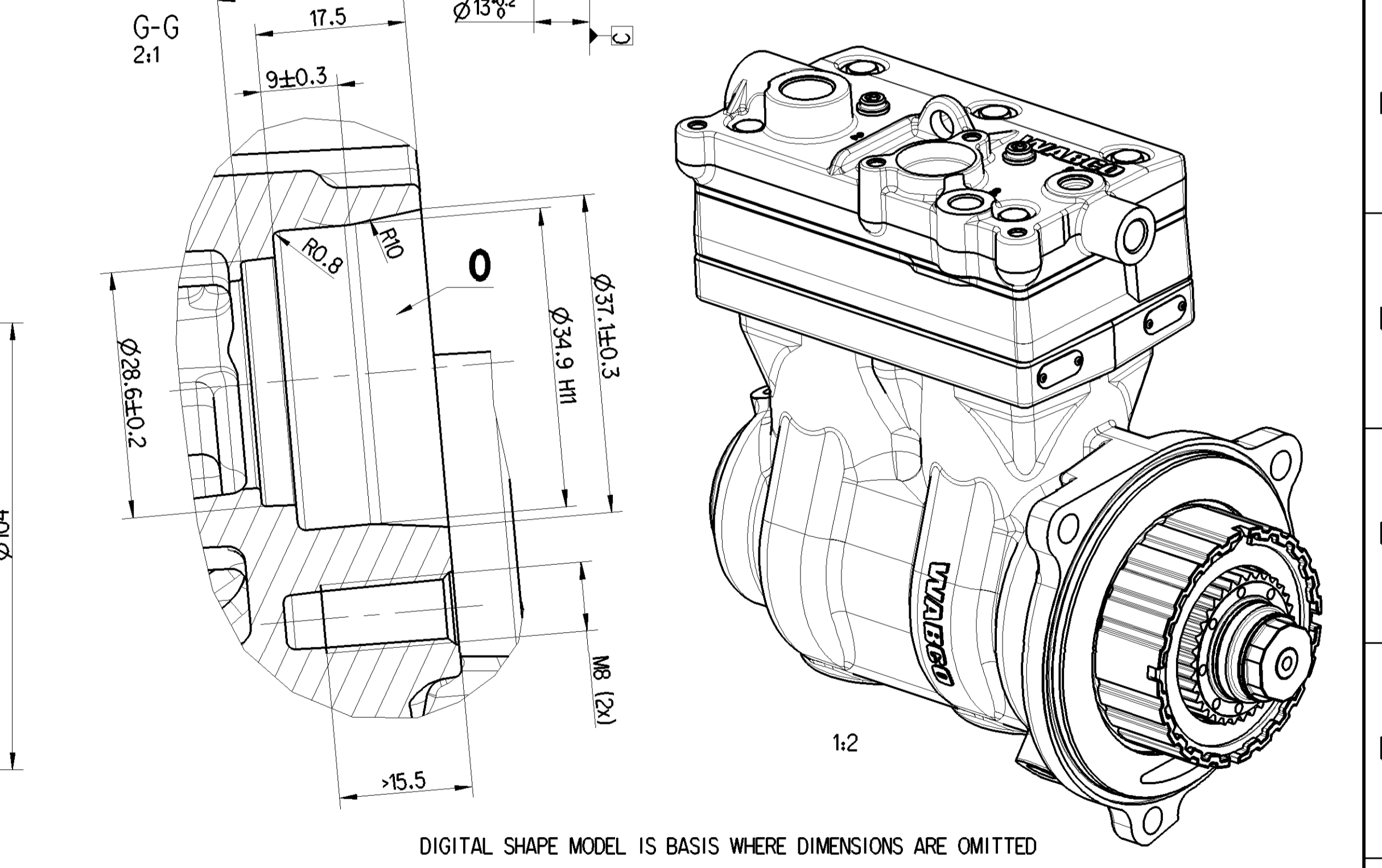
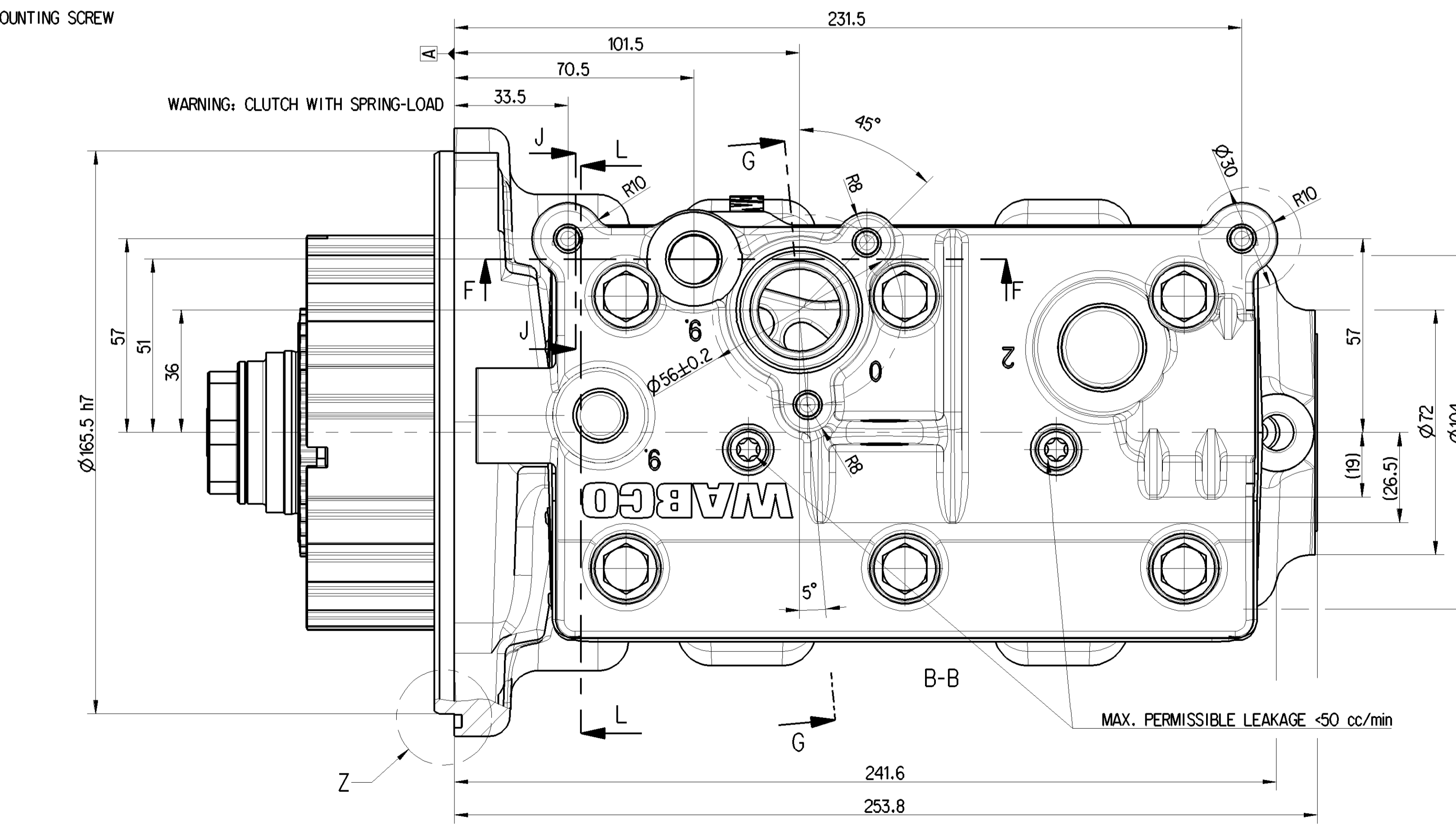
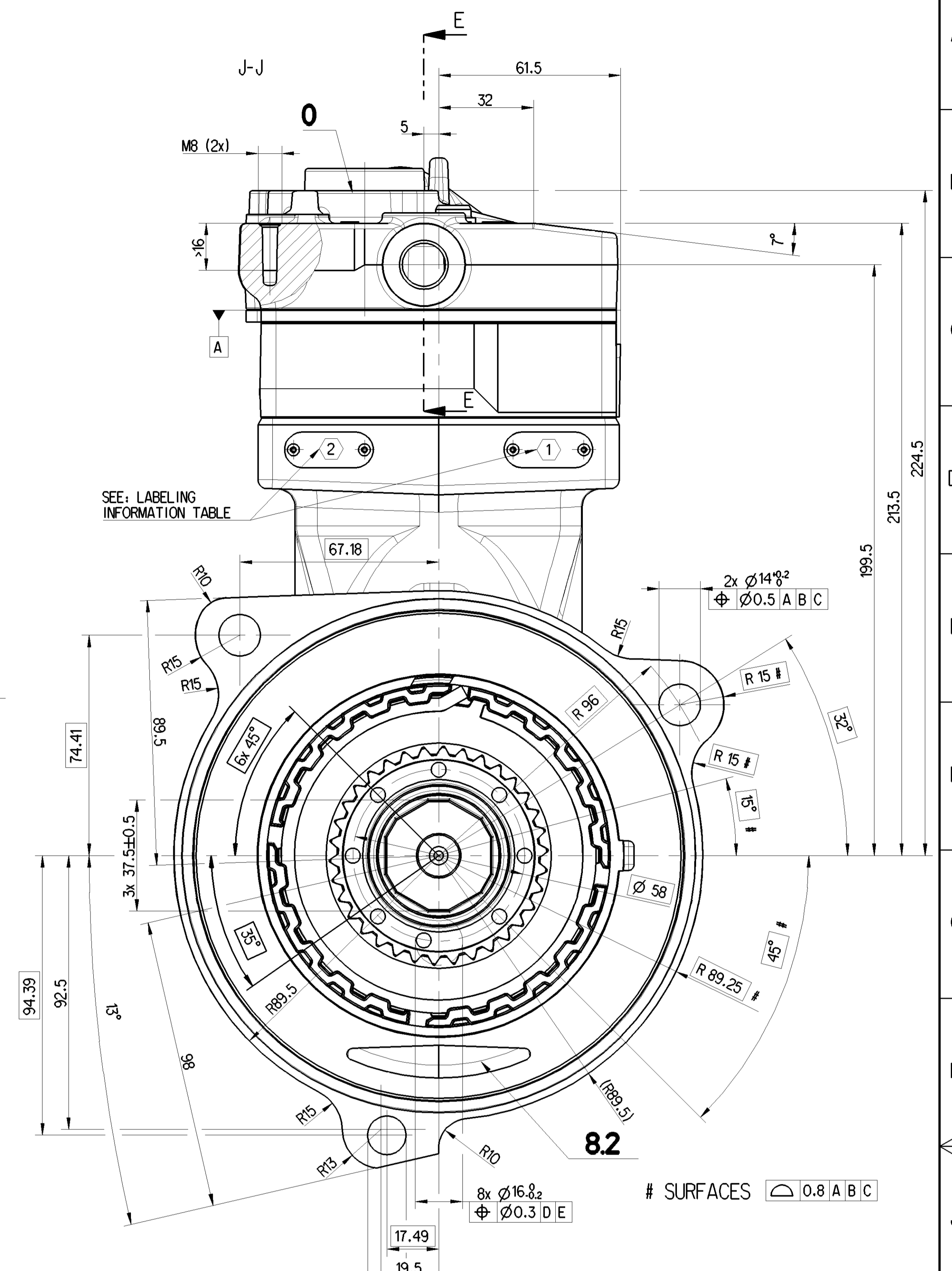
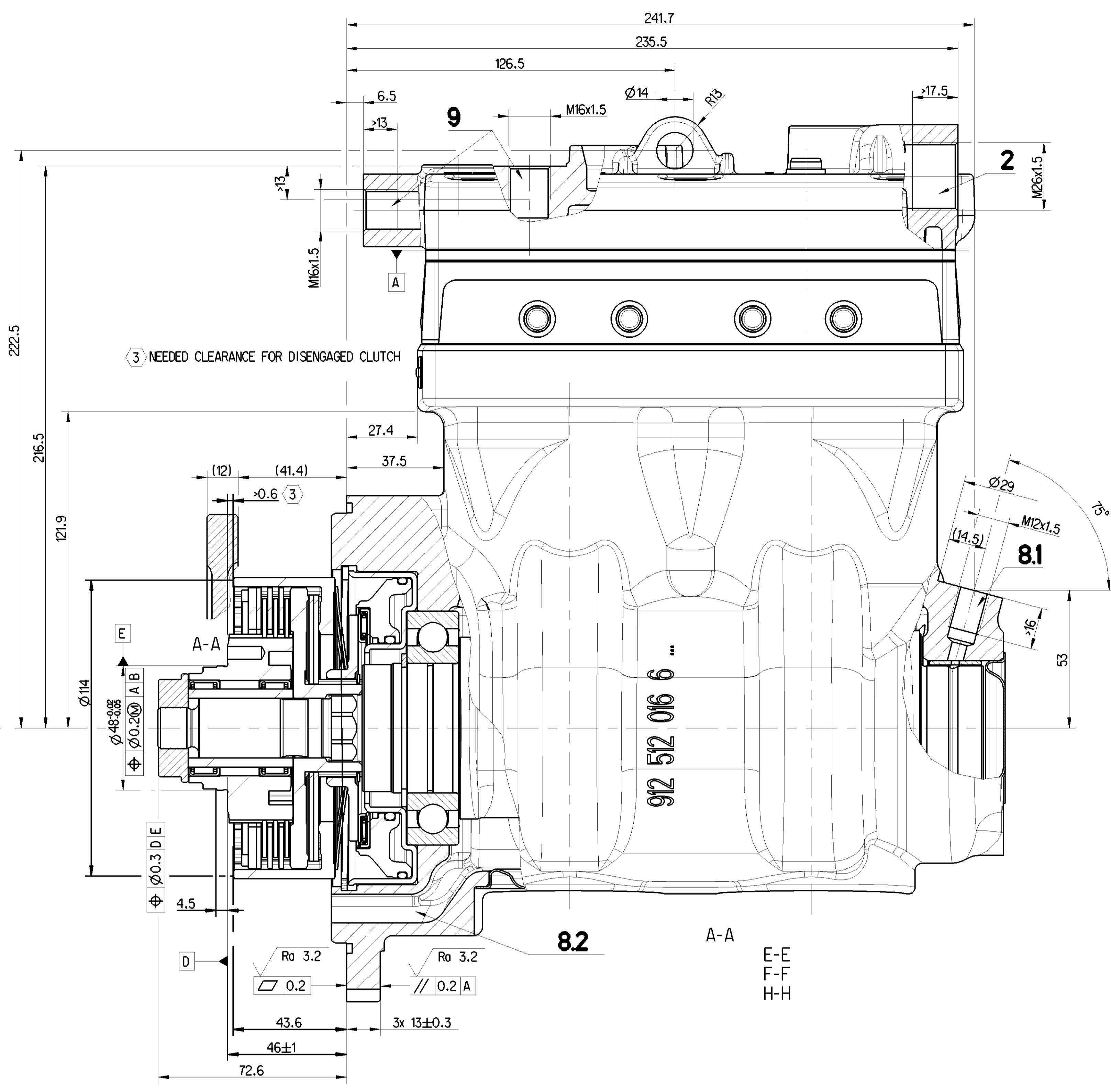
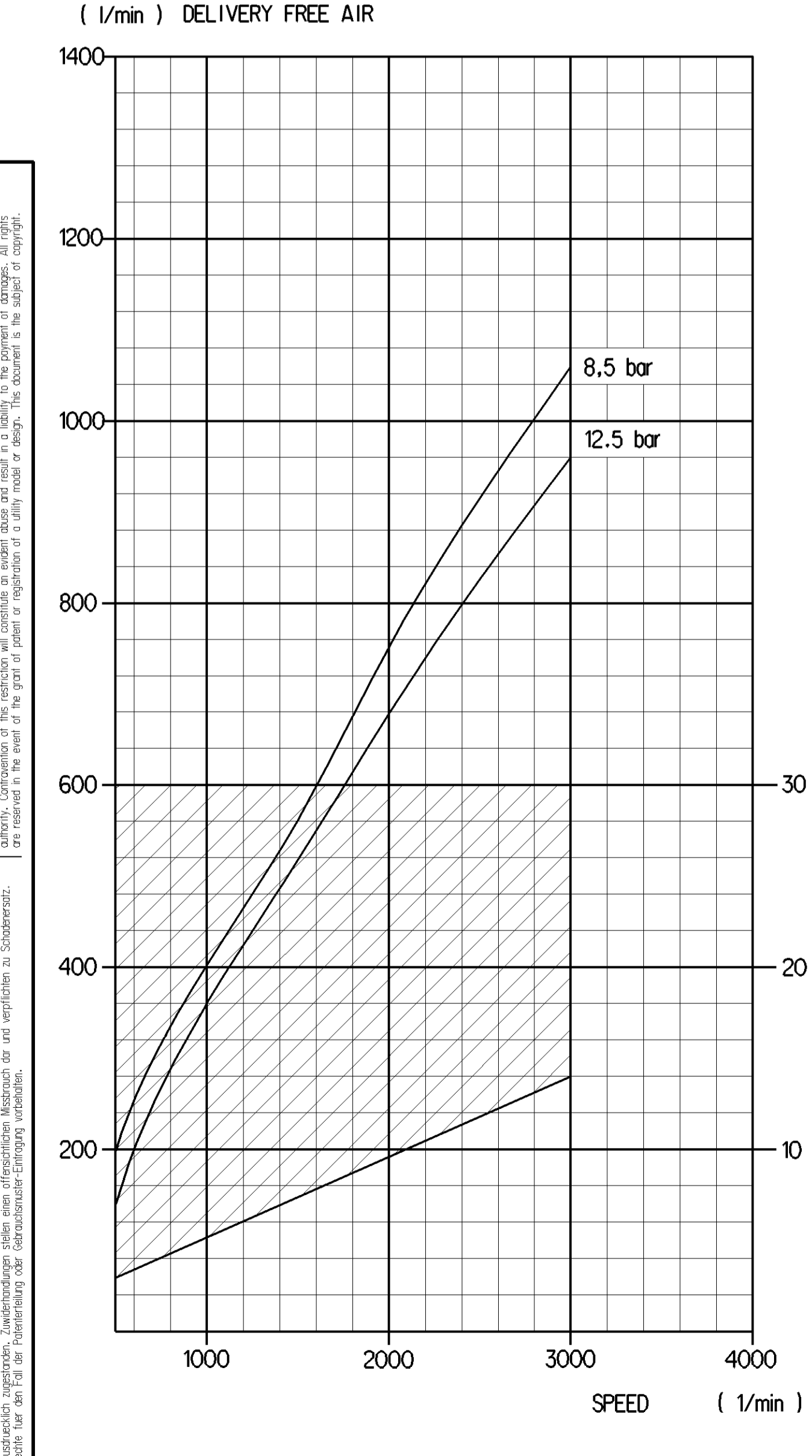
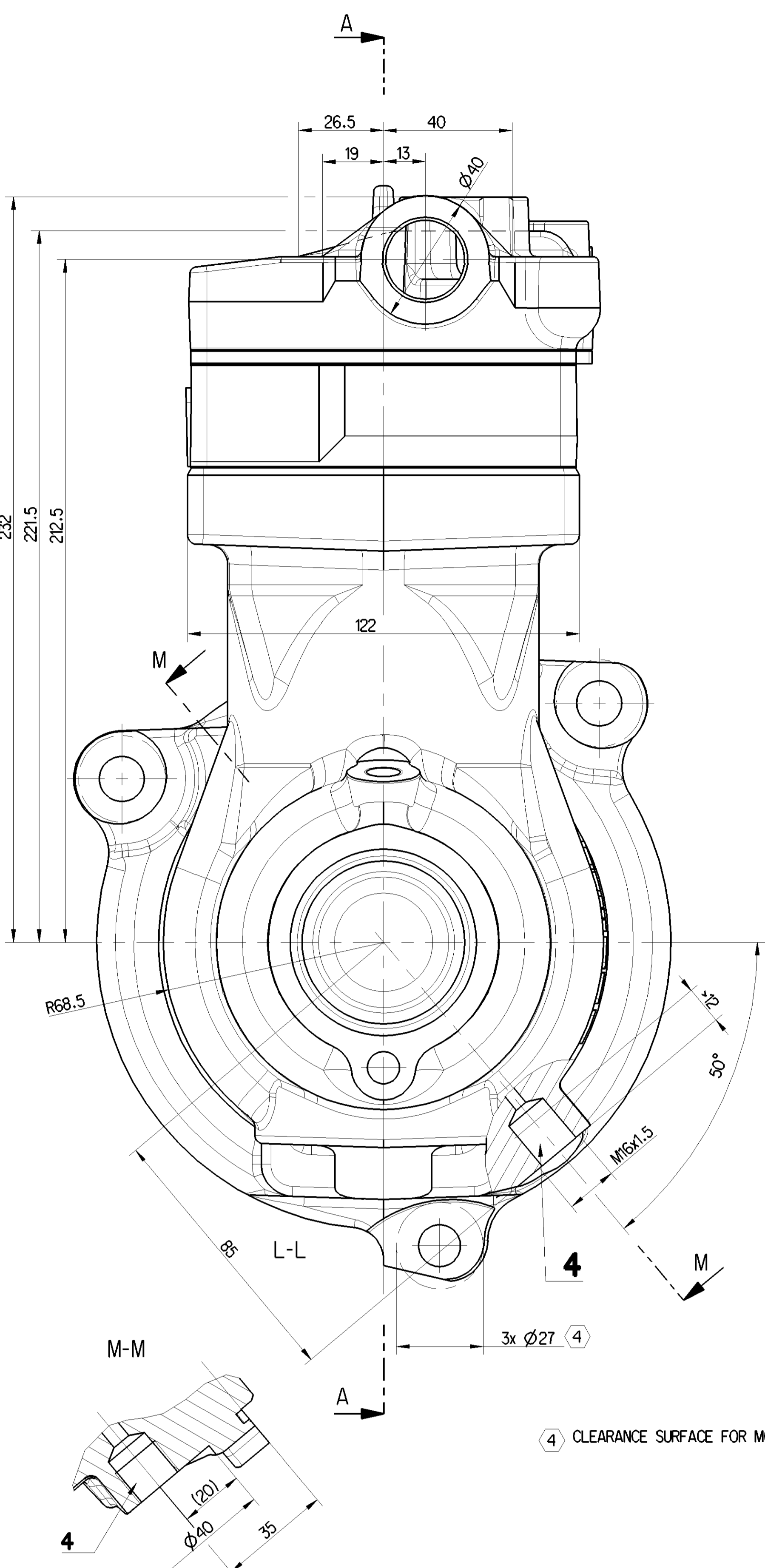
5 MEASURING POINT: DISCHARGE PORT

MAX. PERMISSIBLE TILT DURING CONTINUOUS WORKING



0	SUCTION PORT	
2	DISCHARGE PORT	M ≤ 150 Nm
4	CLUTCH CONTROL PORT	M ≤ 35 Nm
8.1	OIL SUPPLY	M ≤ 25 Nm
8.2	OIL DRAIN	
9	COOLANT CONNECTION	M ≤ 35 Nm

CLUTCH ACTUATION PRESSURE	6.5 bar
PRESSURE BUILD-UP TIME	0.5 → 5 bar < 0.9 sec
VENTING TIME	5 → 0.5 bar < 0.9 sec



•• ALSO VALID FOR PRI: 037, 003, 105

LABELING INFORMATION TABLE (SEE ALSO DOC.922)

PRODUCTION SITE	LABEL	LABEL ID NUMBER	LABEL LAYOUT
PRI 048 ••	1	899 050 145 4	PRODUCTION DATE WABCO ID NUMBER
	2	899 052 930 4 (NOT APPLICABLE FOR IAM)	PARMA CODE: STANOWICE (POLAND): 45295 VOLVO NUMBER: 85031085

DIGITAL SHAPE MODEL IS BASIS WHERE DIMENSIONS ARE OMITTED

General Specifications: 4EJ-534-1, Size ISO 14400 LP		Copyright WABCO	
Further Technical Data: 912 512 030 R		Date: 2023-02-13	
Doc. Code: 035		Sheet: 1 To: 8	
Revision: 03		Drawing: 2023-02-13	
Design: 2023-02-13		Drawing: 2023-02-13	
Checked: 2023-02-13		Drawing: 2023-02-13	
Approved: 2023-02-13		Drawing: 2023-02-13	
Class: 1: 50, 2: 180, 3: 400, 4: 400		Scale: 1:1	
Material: X 1.0, Y 1.0, Z 1.5, 2.0		Date of first issue: 2019-09-27	
Course: 2.0, 3.0, 4.0, 5.0, 6.5		Doc. Code: Language: Sheet	
Tapped Holes acc. 4EJ-102		912 512 033 R	
Tolerance class: 4EJ-102		005 EN 1/1	
Tapped Holes acc. 4EJ-102		Revision: 005	
Tolerance class: 4EJ-102		Date of issue: 2023-02-13	
Tapped Holes acc. 4EJ-102		Drawing: 2023-02-13	
Tolerance class: 4EJ-102		Drawing: 2023-02-13	