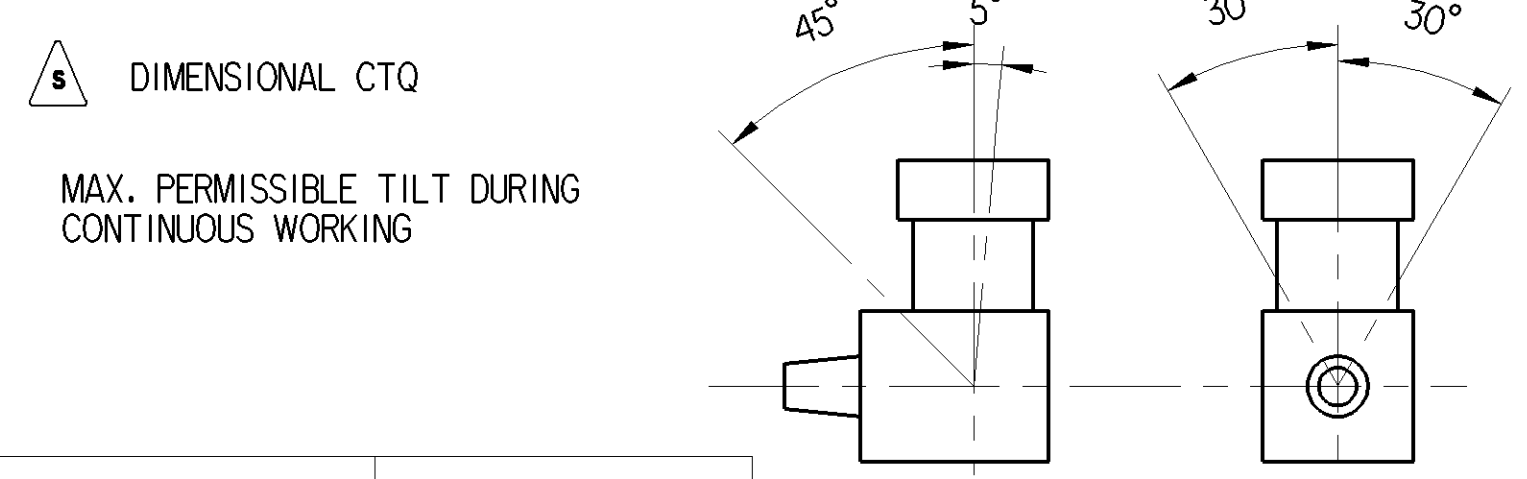
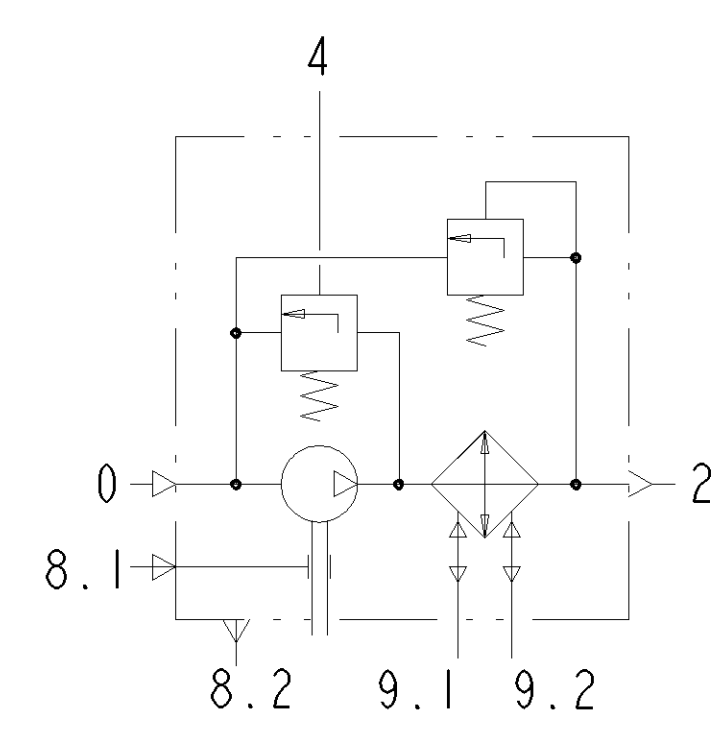


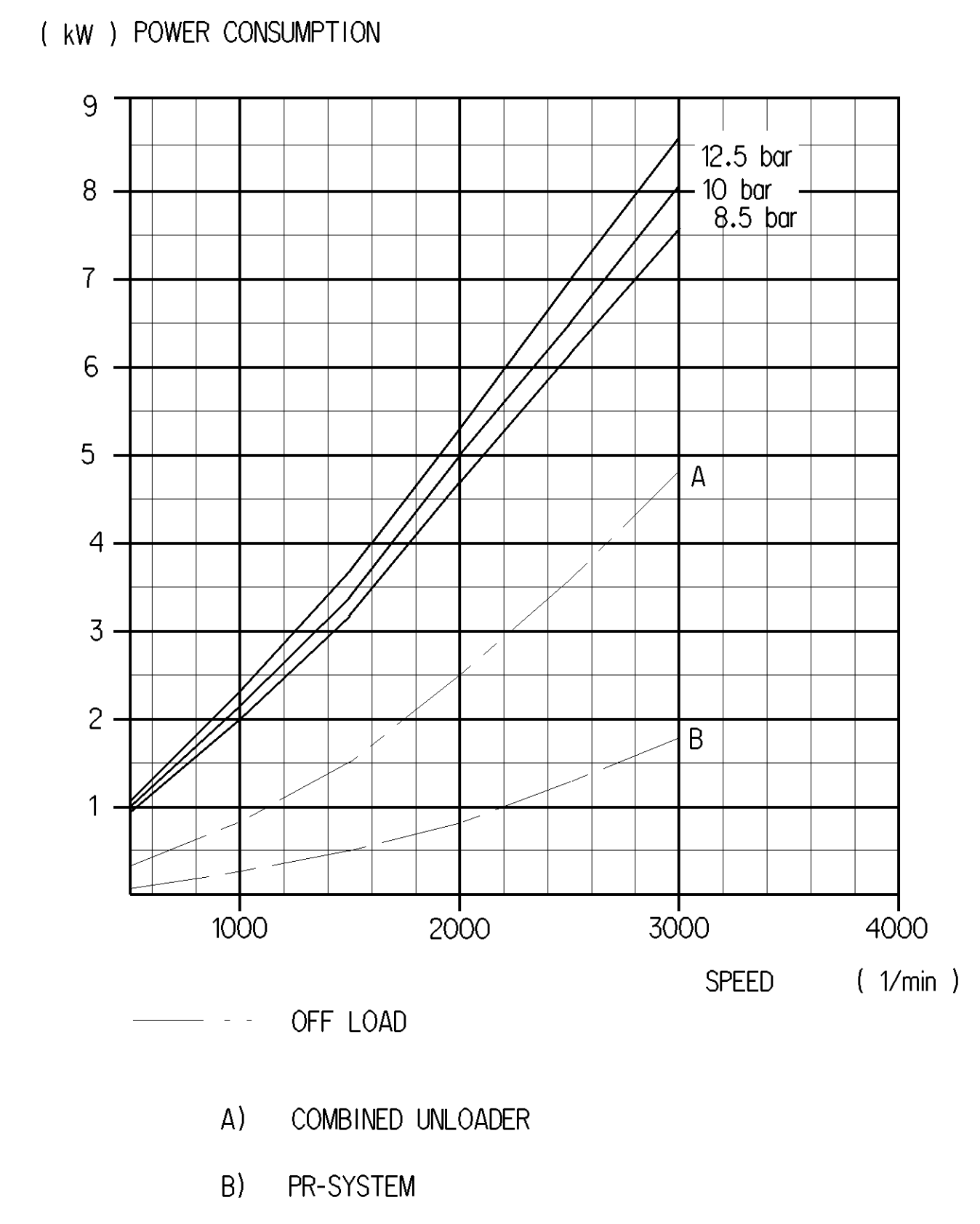
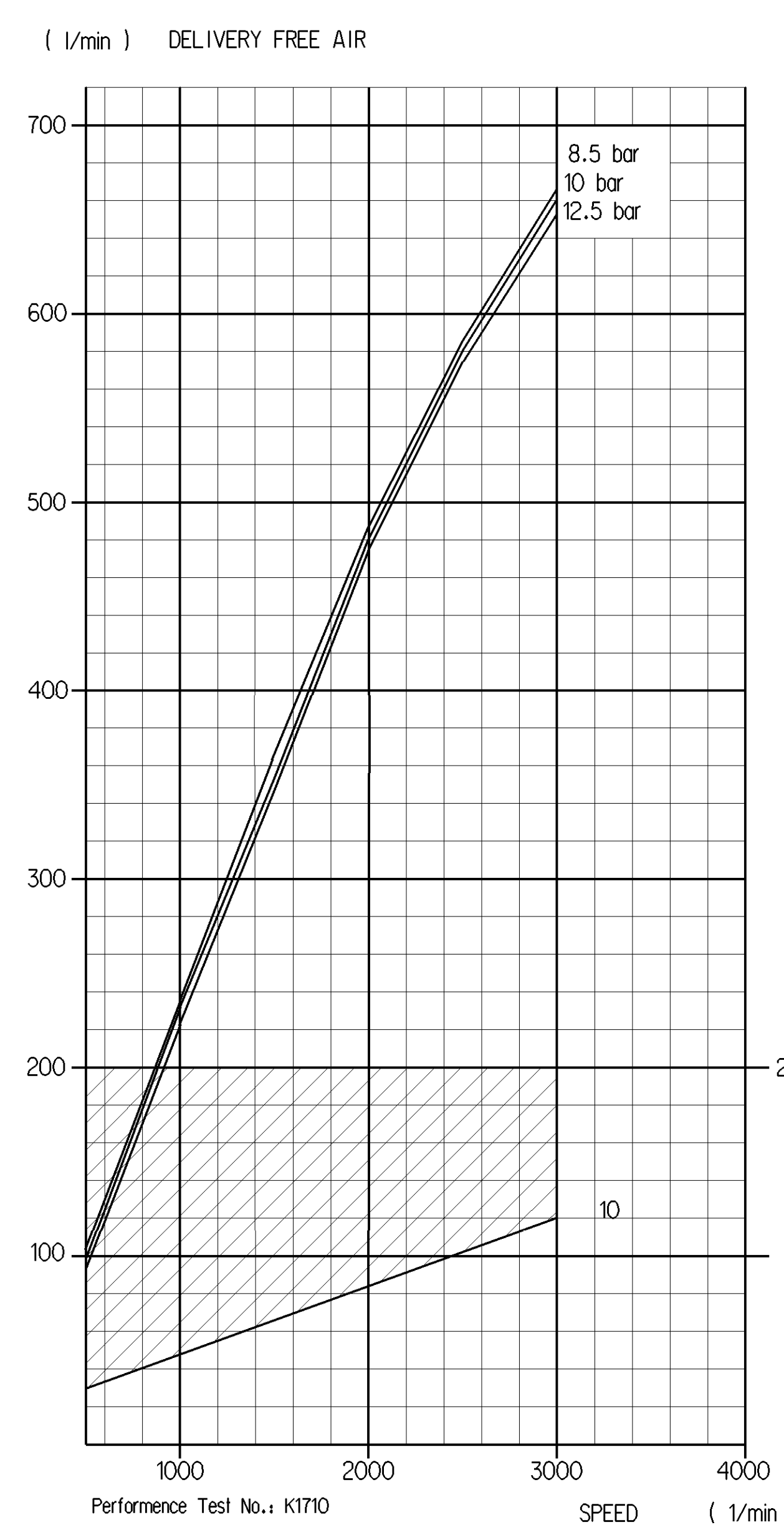
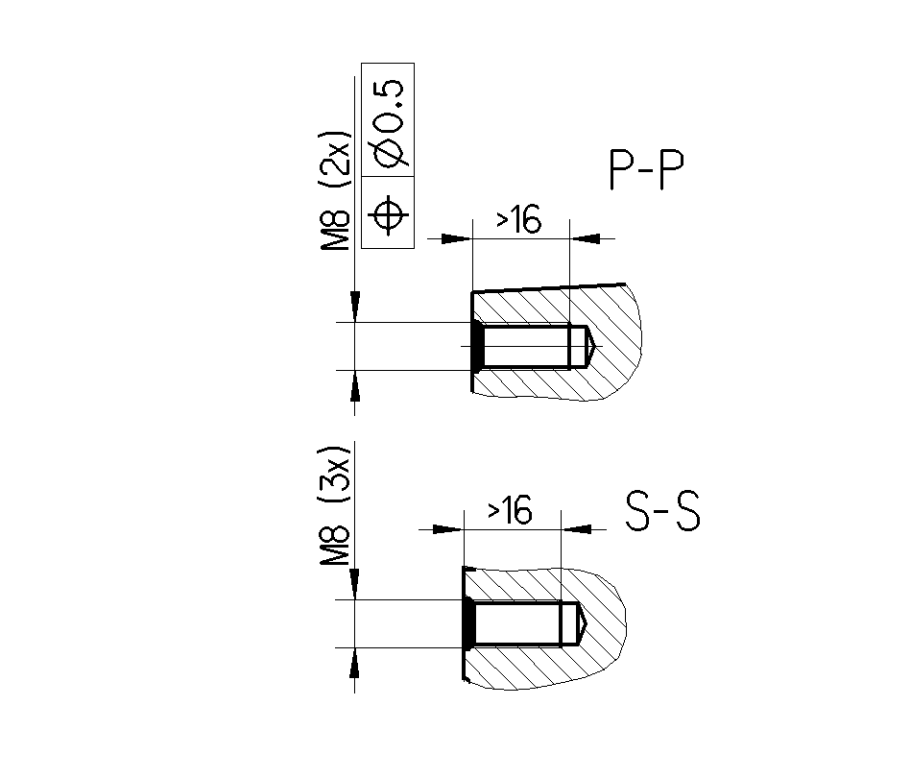
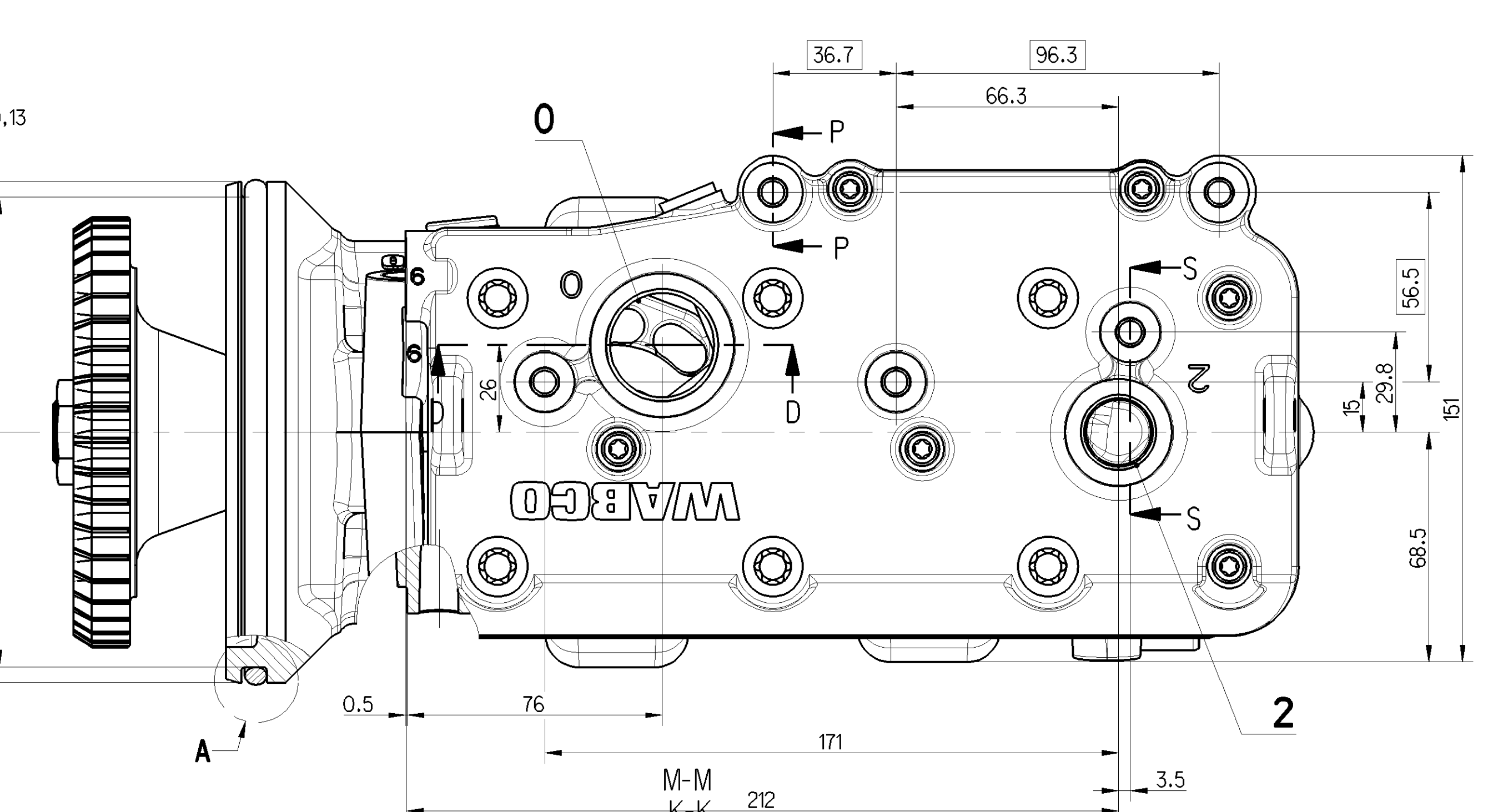
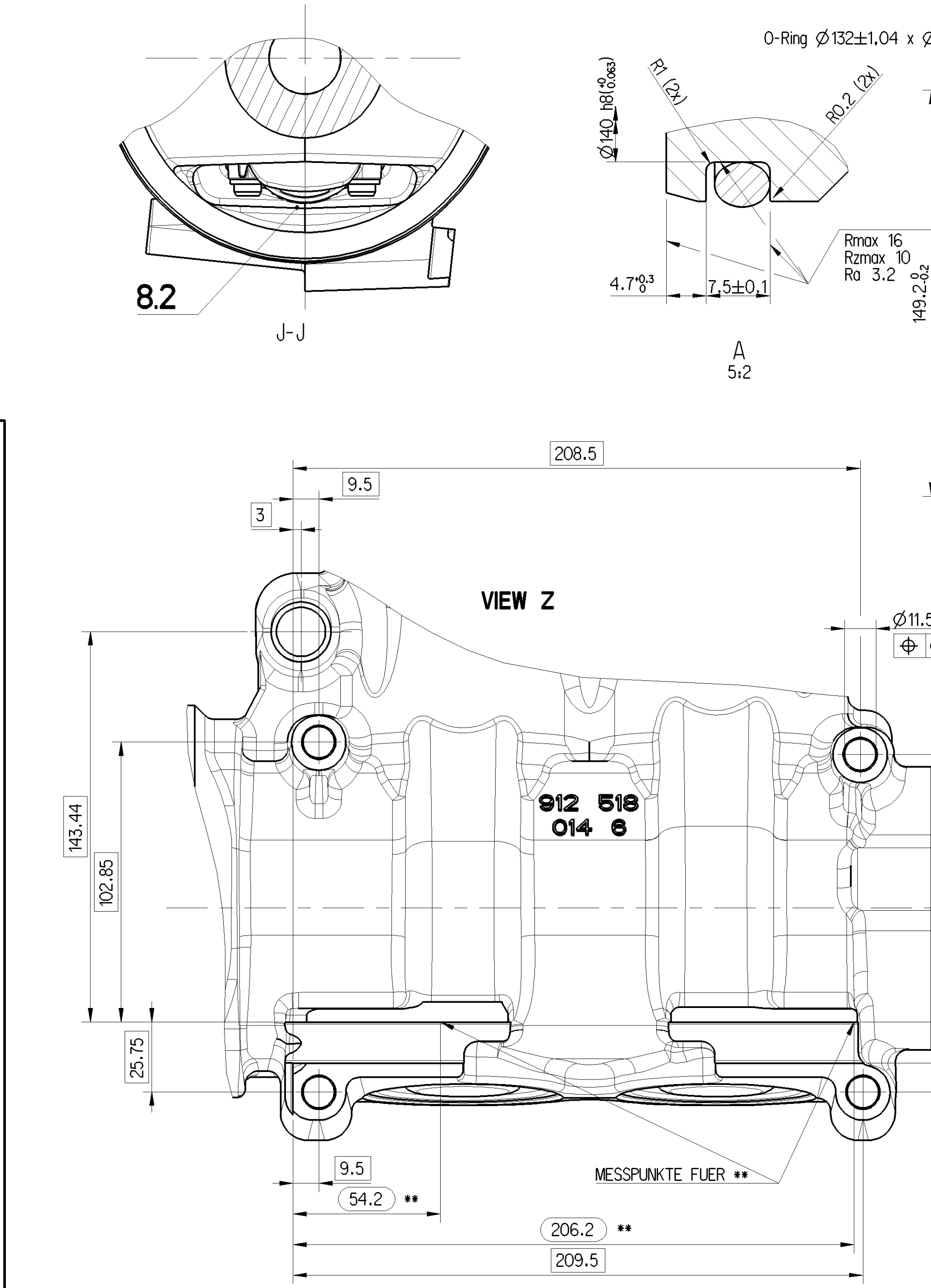
WORKING MEDIUM	AIR
COOLANT	WATER WITH ANTIFREEZE
BORE	∅ 85 mm
STROKE	62 mm / 21 mm
SWEPT VOLUME	1.STEP 352 cm ³ / 2. STEP 119 cm ³
MAX. WORKING SPEED	n _{max} = 3000 min ⁻¹
OVERSPEED (MAX. 4 SEC.)	n _{ue} = 1.3 x n _{max}
OPENING PRESSURE SAFETY VALVE	21±3 bar
LUBRICATION SUPPLIED FROM ENGINE	
FREE FROM ASBESTOS	



0	SUCTION PORT	M ≤ 100 Nm
2	DISCHARGE PORT	M ≤ 60 Nm
4	GOVERNOR PORT	M ≤ 20 Nm
8.1	OIL SUPPLY	M ≤ 35 Nm
8.2	OIL DRAIN	
9.1	COOLANT CONNECTION	M ≤ 60 Nm
9.2	COOLANT CONNECTION	

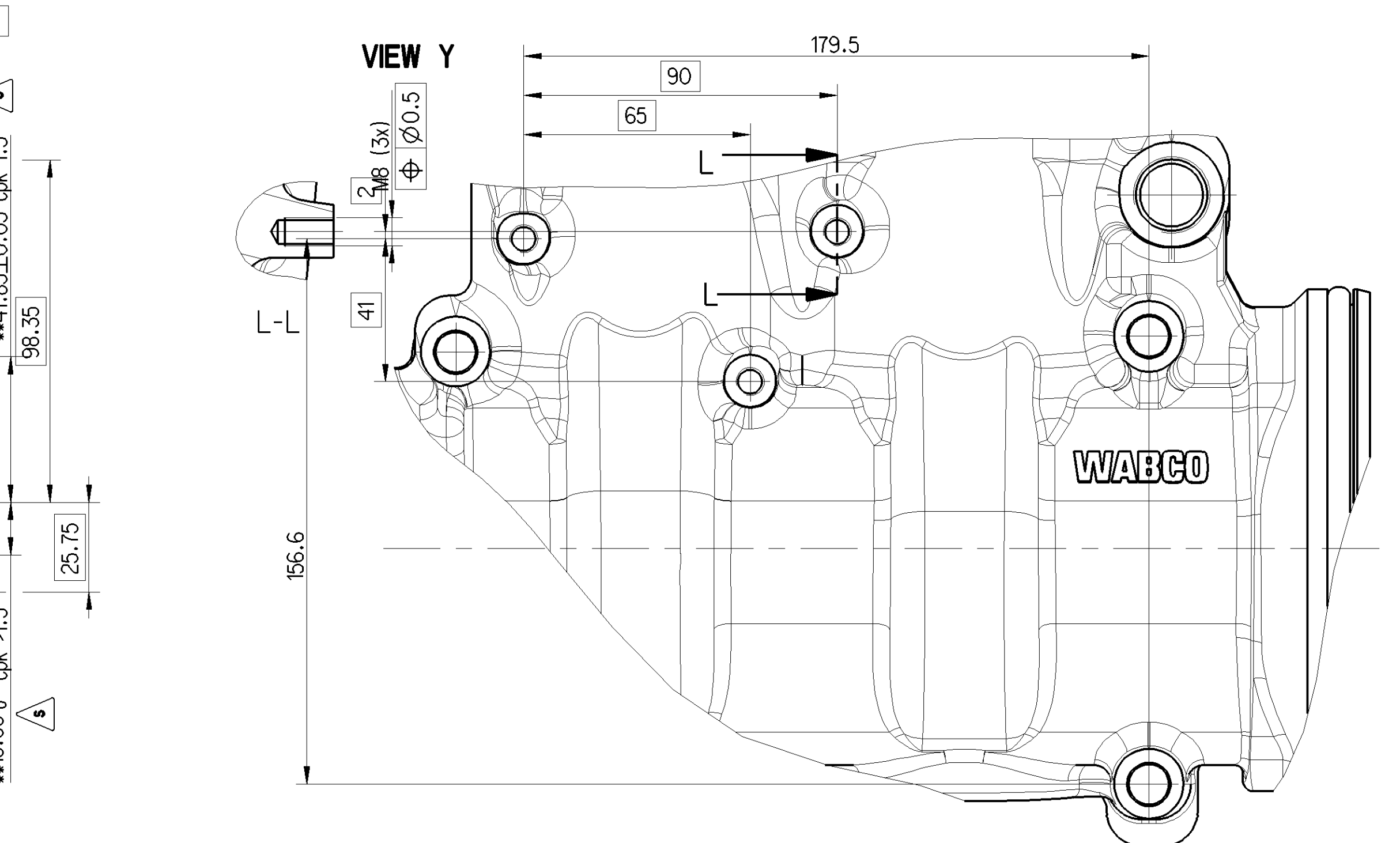
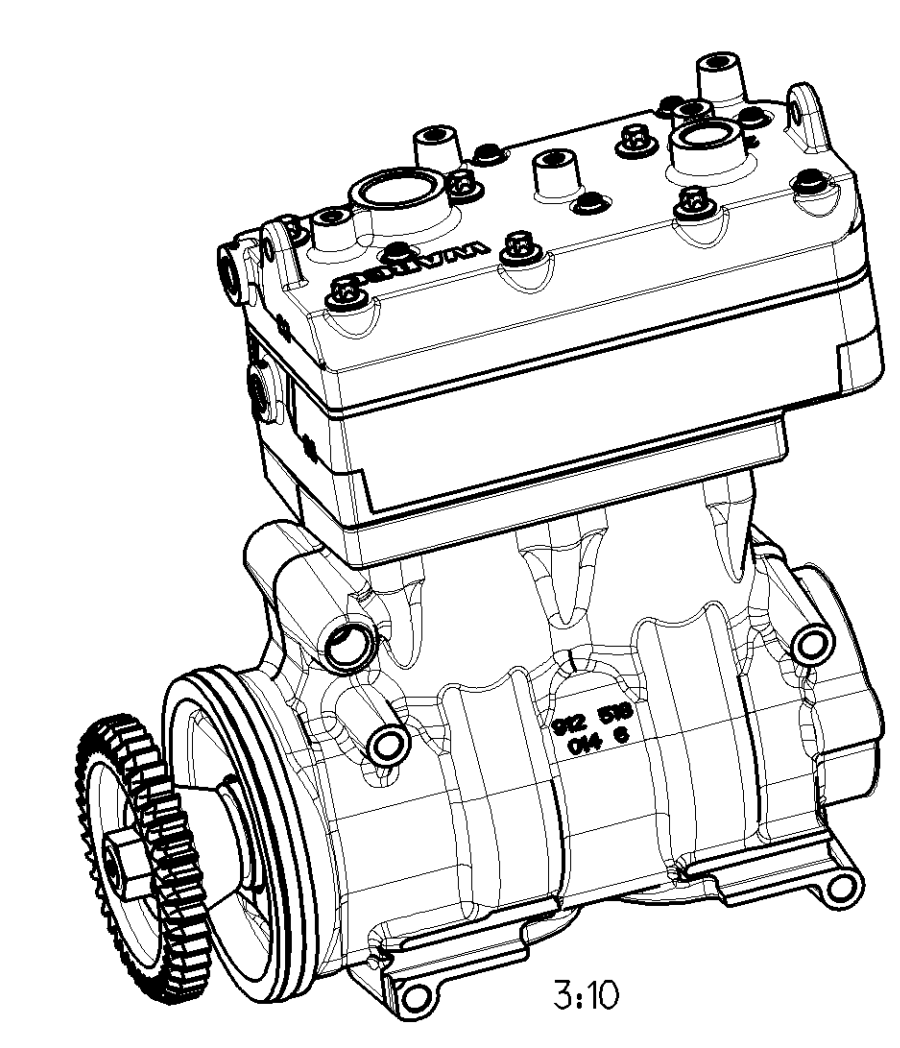


9.1 → 9.2 DIRECTIONS OF FLOW



CLEANLINESS REQUIREMENT			
SOFT PARTICLES ARE ALLOWED UP TO 2 mm X 0.1 mm X 0.1 mm			
FIBERS ARE ALLOWED UP TO A MAXIMUM DIAMETER OF 0.1 mm AND A MAXIMUM LENGTH OF 10 mm.			
CHAMBER	SURFACE AREA	VOLUME	SPECIFICATION
OIL	4596 cm ²	2305 cm ³	JED-593 CLASS II ..
WATER	1428 cm ²	-	JED-593 CLASS I
AIR	2291 cm ²	-	JED-593 CLASS III

ALSO MEASURE AND RECORD PARTICLE CLASS SIZE C ACCORDING TO ISO 16232-10



WABCO
TWO CYLINDER COMPRESSOR

Doc. Code: 020	Version: 1/5	To: 5/5
Class: 1	Size: 26.690	Scale: 1:1
Material: Steel	Weight: 26.690 kg	Part No.: 912 518 006 A
Revision: 005	En: EN	1/1

© CUSTOMER'S LABEL