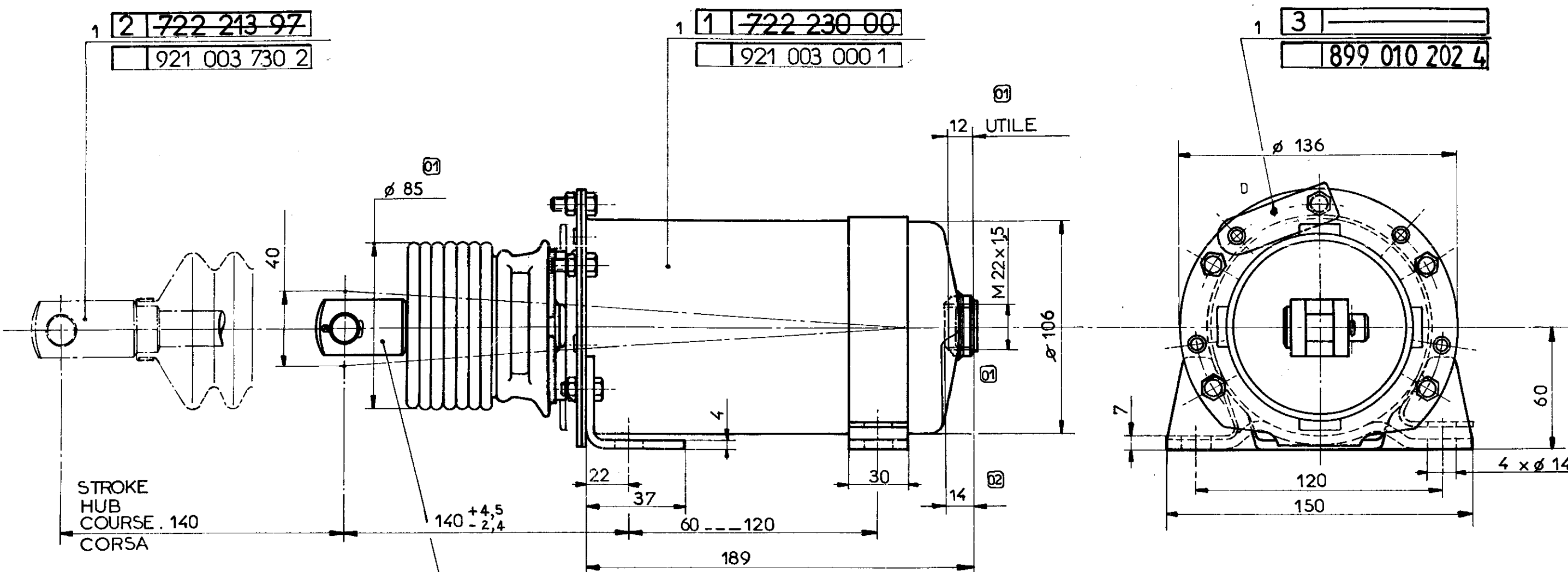


722 235 00

921 003 000 0



- MAX WORKING PRESSURE
 - MAX BETRIEBSDRUCK
 - PRESSION MAX. D'ALIMENTATION $p = 8 \text{ bar}$
 - PRESSION DI ESERCIZIO MAX.

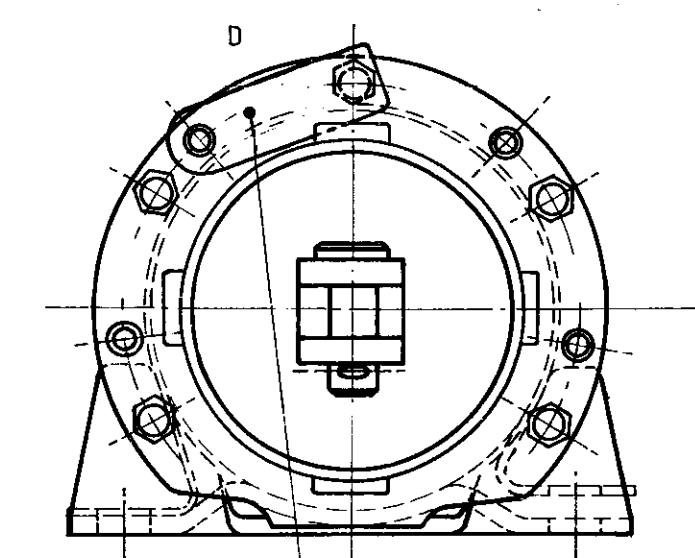
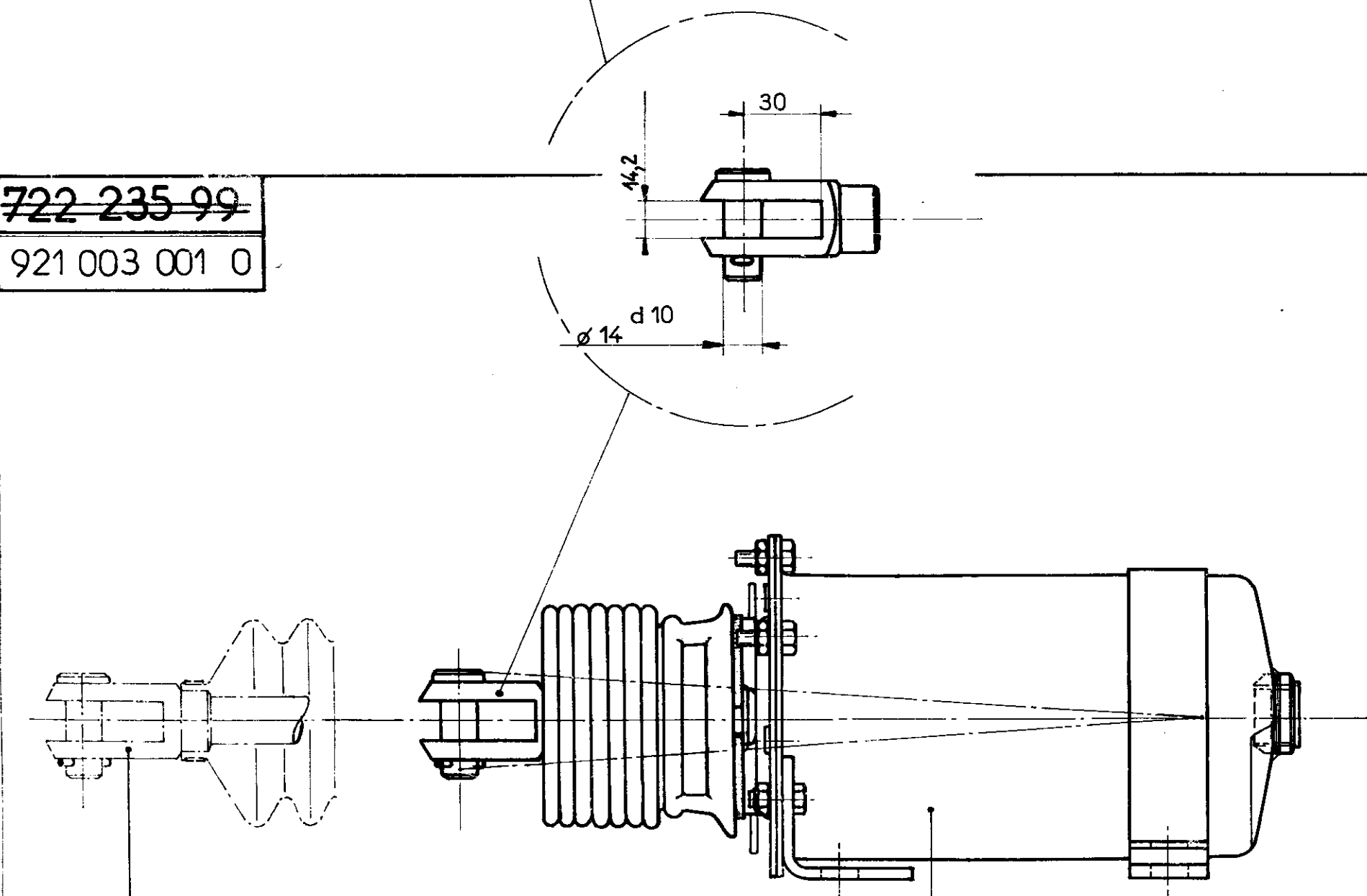
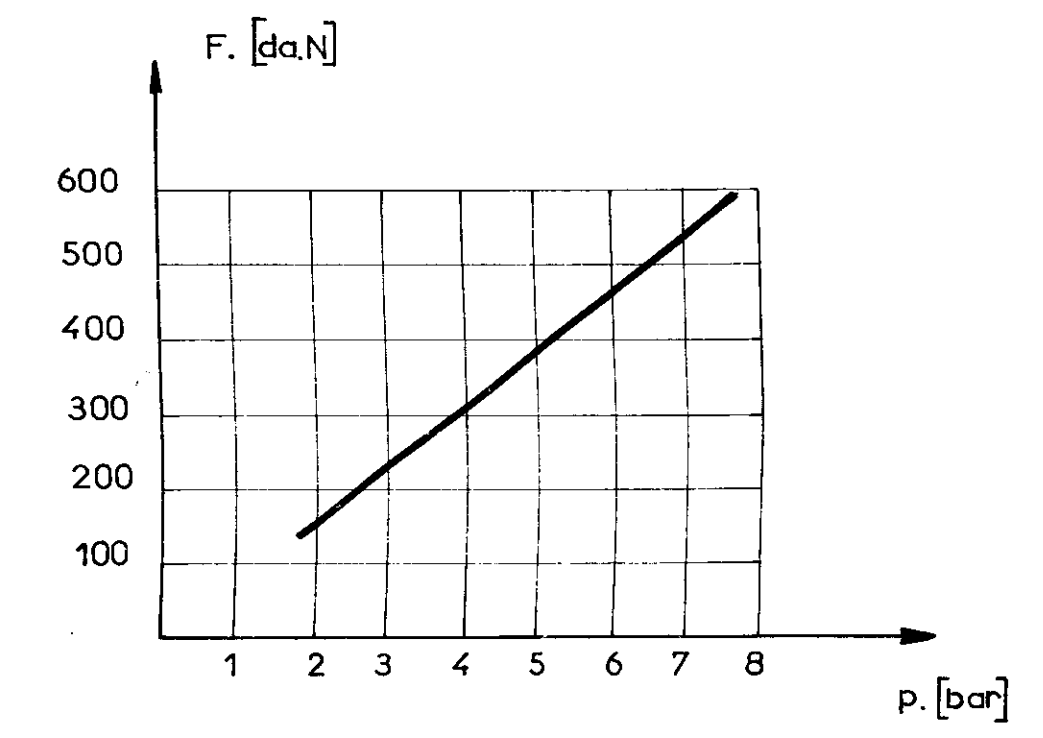
- THERMAL RANGE OF APPLICATION
 - THERM ANWENDUNGSBEREICH
 - APPLICATION THERMIQUE $- 40^{\circ}\text{C} \text{ --- } + 80^{\circ}\text{C}$
 - CAMPO DI APPLICAZIONE TERMICA

- MEDIUM : AIR
 - MEDIUM : LUFT
 - FLUIDE : AIR
 - FLUIDO : AIRA

- MASS :
 - MASSE :
 - MASSE : $m = \text{ Kg}$
 - MASSA :

STROKE
 HUB
 COURSE . 140
 CORSA

~~722 235 99~~
 921 003 001 0



3
 899 010 202 4

CODE FOR FUNCTION : 536
 CODE FOR DOCUMENT : 605
 T.R.I. 210

TARIF 722 235 00 & VARIANTES			
01 FA-505-72-6-	Tolerances not specified	Material	Supplied as
02 MFA 75-0D6-1-	Freimaßtoleranzen	Werkstoff	Lieferzustand
82 500 1x (C) 82.02.10	Tolerances générales	Matière	Etat de livraison
83087 2x (D) 83.11.21	Tolleranze generali	Materiale	Stato di consegna
		Surface protection	Mean value of roughness R_a in μm
		Oberflächenschutz	Mittlerer Ra-Wert R_a in μm
		Protezione	Valeur de la rugosité R_a en μm
		Protezione	Valore della rugosità R_a in μm
	Scale	Treatment	Blank no.
	Maßstab	Behandlung	Rohteilnummer
	Echelle	Traitement	No. pièce brute
	Scala	Trattamento	No. pezzo grezzo
C.N.No. Letter Date	COMPLETE SINGLE CIRCUIT BRAKE CYL.		722 235 02
Revisions	EINKAMM-BREMSZYL.		
Änderungen	CYLINDRE SIMPLE COMPLET 4" x 140		921 003 000 0
Modifiche	CILINDRO SEMPLICE COMPLETO		
Drawn	WESTINGHOUSE		Replacement for
Checked	JOINT ENGINEERING DEPARTMENT		Ersatz für
Approved			Replaces RAI_731 368

2 | 722 243 97
 921 003 730 2

1 | 722 230 00
 921 003 000 1