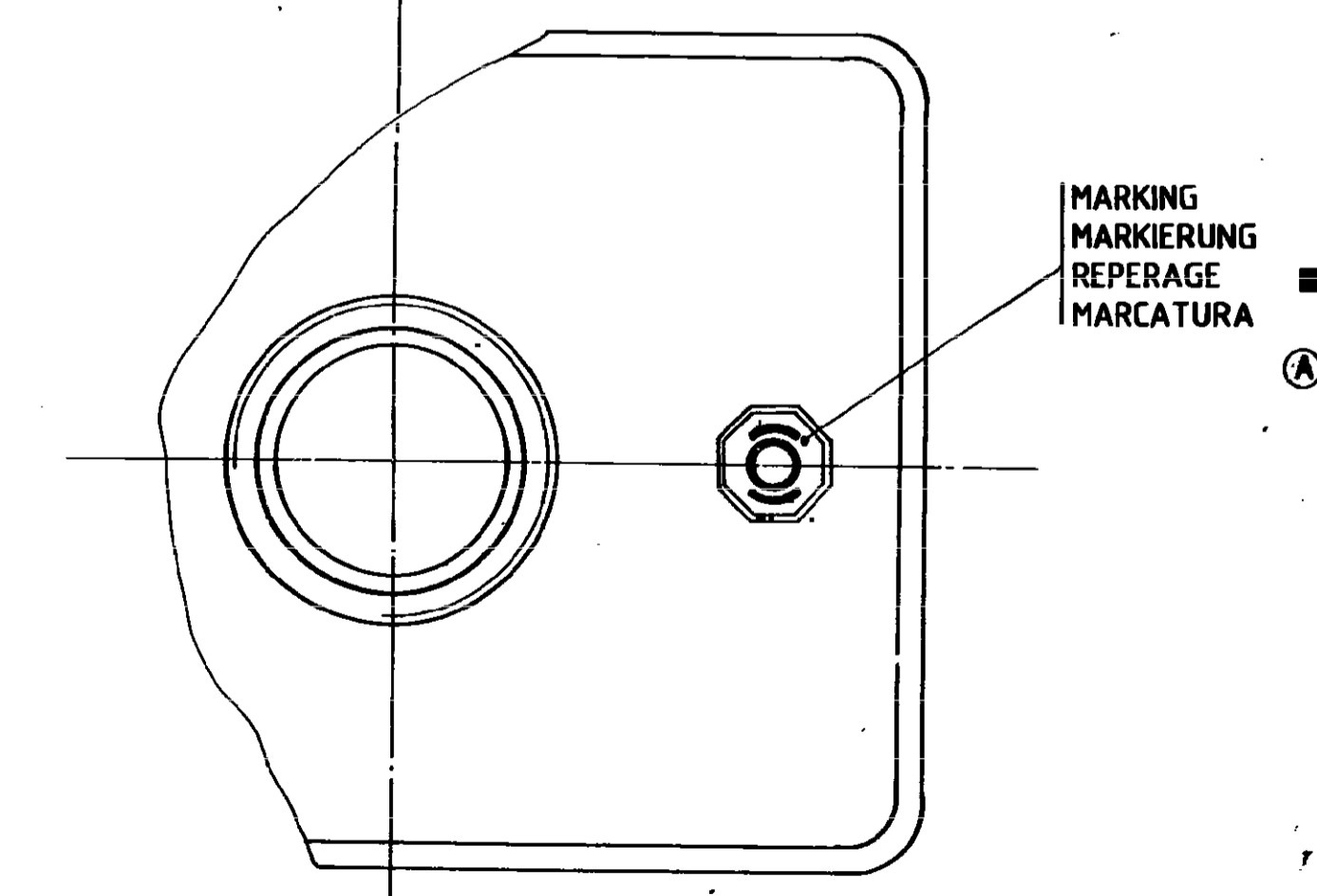
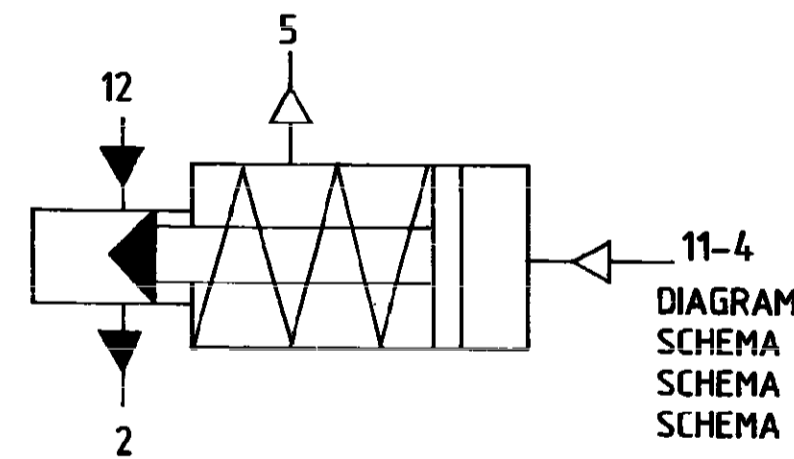
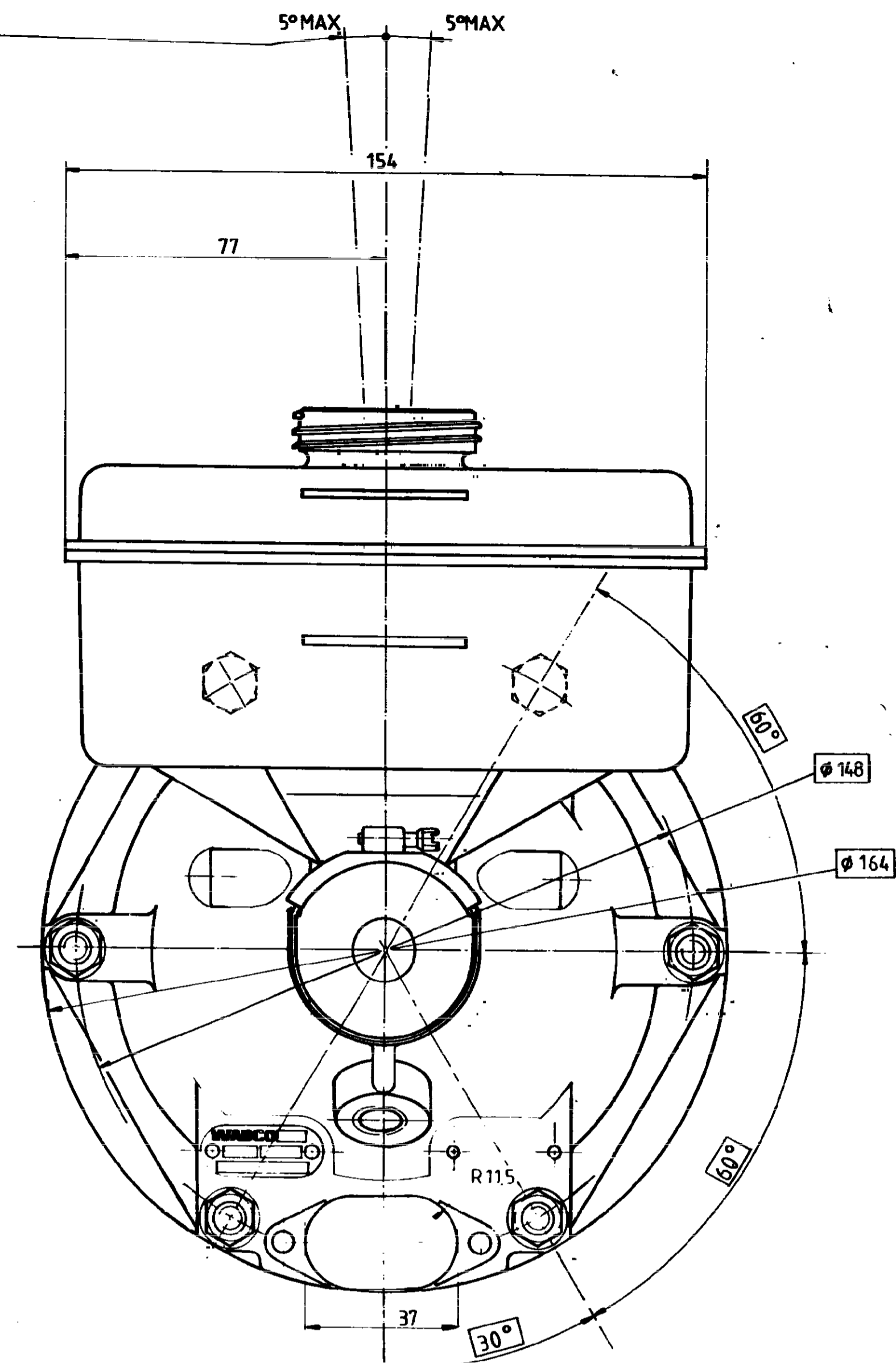
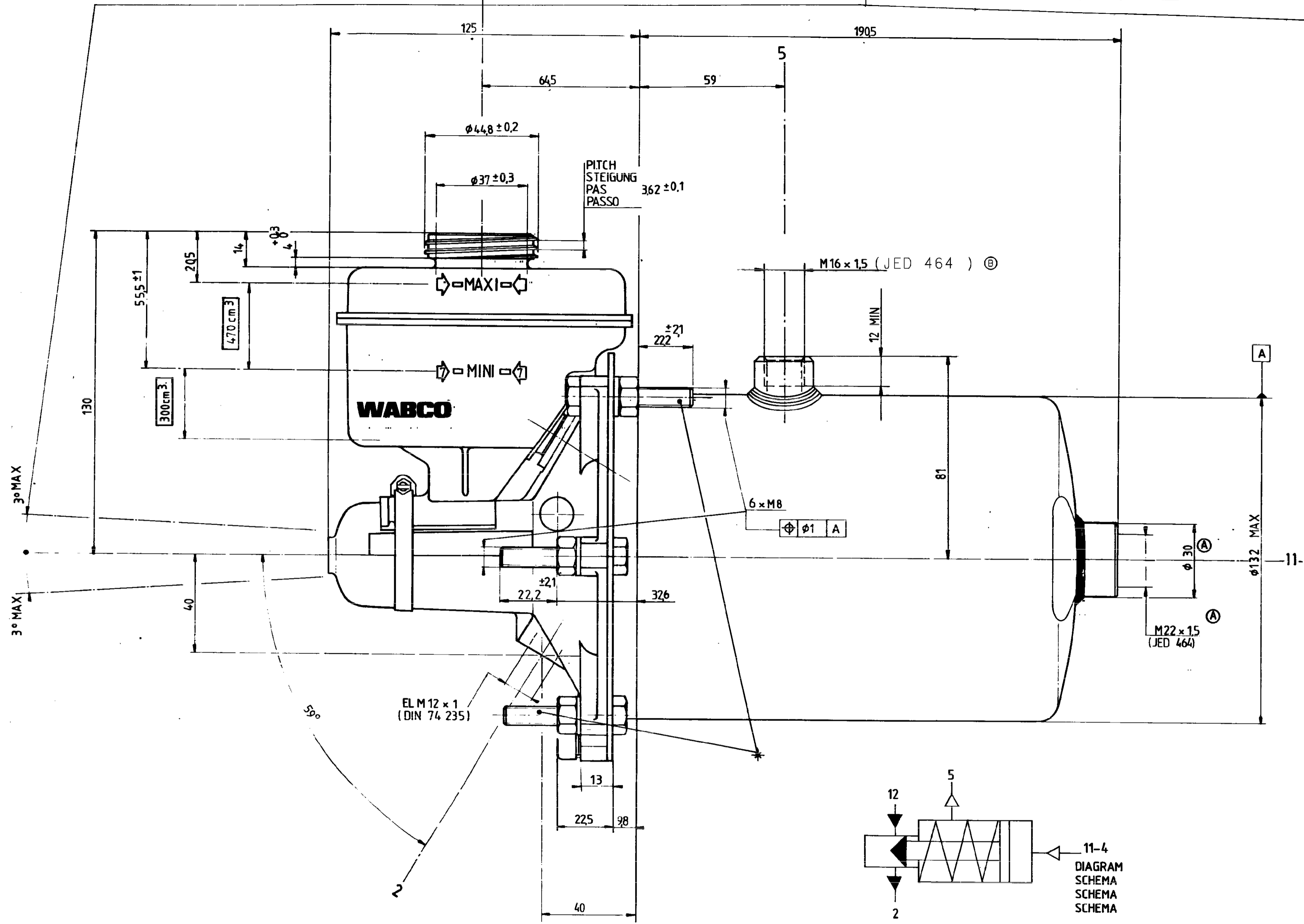


INSTALLATION POSITION PERMISSIBLE TILT
 ENBAULAGE ZULÄSSIGE EINBAUNEIGUNG
 POSITION DE MONTAGE INCLINAISON ADMISSIBLE
 POSIZIONE DI MONTAGGIO INCLINAZIONE AMMISSIBILE



AIR PRESSURE INLET DRUCKLUFT PRESSION PNEUMATIQUE D'ALIMENTATION PRESSIONE PNEUMATICA DI ALIMENTAZIONE	8 BAR MAX	OIL OEL ZUL MEDIUM FLUIDE HYDRAULIQUE FLUIDO IDRAULICO	SAE J1703	AIR INLET VORRATSLEITUNG ALIMENTATION AIR ALIMENTAZIONE ARIA	11-4
		AVAILABLE CYLINDER CHARGE FOR 120 BAR HYDRAULIC NUTZBARER ZYLINDERINHALT FUER 120 BAR HYDRAULISHER CYLINDREE UTILE POUR 120 BAR HYDRAULIQUE CILINDRATA UTILE PER 120 BAR IDRAULICO	60 cm ³	OIL INLET OEL VORRAT ALIMENTATION D'HUILE ALIMENTAZIONE OLIO	12
THEORETICAL HYDR. PRESSURE FOR PNEU. PRESS. 6 BAR THEORETISCHER HYDR. DRUCK FUER PNEU.DRUCK 6 BAR PRESSION HYDR.THEORIQUE POUR PRESSION PNEU. 6 BAR PRESSIONE IDRAU. TEORICA PER PRESSIONE PNEU. 6 BAR	120 BAR	THERMAL RANGE THERM. ANWENDUNGSBEREICH TEMPERATURE D'UTILISATION TEMPERATURA DI UTILIZZAZIONE	-40°C +80°C	OIL INPUT AUSGESTEUERTE OEL UTILISATION D'HUILE UTILIZZAZIONE DEL OLIO	2
WORKING POSITION ENBAULAGE POSITION DE FONCTIONNEMENT POSIZIONE DI FUNZIONAMENTO	HORIZONTAL ACCORDING TO DRAWING HORIZONTALE NACH ZEICHNUNG HORIZONTALE SUIVANT PLAN ORIZONTALE SEGUENDO DISEGNO	AVAILABLE CYLINDER BEFORE PNEUMATIC CONTACTS "CLOSE" VOR DEM SCHLIESSEN DES PNEUMATISCHEN KONTAKTS CYLINDREE UTILE AVANT LA FERMETURE DU CONTACTEUR PNEU. CILINDRATA UTILE PRIMA LA CHIUSURA DEL CONTATTO PNEU.	48 cm ³	PRESSURE CONNECTION FOR PNEUMATIC CONTACT DRUCK ANSCHLUSS FUR PNEUMATISCHER KONTAKT PRISE DE PRESSION POUR CONTACTEUR PNEUMATIQUE PRESA DI PRESSIONE PER CONTATTO PNEUMATICA	5

TORQUE FOR CONNECTIONS ANZUGSMOMENT FUR ENSCHRAUBSTUTZEN COUPLE DE SERRAGE DES RACCORDS COPPIA DI SERRAGGIO DEI RACCORDI	30 N.m MAXI	60 N.m MAXI	5 N.m MAXI	15 N.m MAXI	24 N.m MAXI
	5	11-4	12	2	*

GENERAL SPECIFICATION
 ISO 1101

FURTHER TECHNICAL DATA SEE

IDENTIFICATION No.	DATE	SIGNATURE
CODE FOR DOCUMENT 605 SHEET TO	90-02-26	ILHERMINIER
GENERAL TOLERANCES	90-02-26	BION
RANGE OF NOMINAL DIMENSIONS (t mm)	90-03-01	90046
CLASS	11	12
1	0.5	1.5
2	1	3
3	1.5	5
4	2	10
5	3	20
6	5	50
7	10	100
8	15	200
9	25	500
10	50	1000
11	100	2000
12	200	5000
13	500	10000
14	1000	20000
15	2000	50000
16	5000	100000
17	10000	200000
18	20000	500000
19	50000	1000000
20	100000	2000000
21	200000	5000000
22	500000	10000000
23	1000000	20000000
24	2000000	50000000
25	5000000	100000000
26	10000000	200000000
27	20000000	500000000
28	50000000	1000000000
29	100000000	2000000000
30	200000000	5000000000
31	500000000	10000000000
32	1000000000	20000000000
33	2000000000	50000000000
34	5000000000	100000000000
35	10000000000	200000000000
36	20000000000	500000000000
37	50000000000	1000000000000
38	100000000000	2000000000000
39	200000000000	5000000000000
40	500000000000	10000000000000
41	1000000000000	20000000000000
42	2000000000000	50000000000000
43	5000000000000	100000000000000
44	10000000000000	200000000000000
45	20000000000000	500000000000000
46	50000000000000	1000000000000000
47	100000000000000	2000000000000000
48	200000000000000	5000000000000000
49	500000000000000	10000000000000000
50	1000000000000000	20000000000000000
51	2000000000000000	50000000000000000
52	5000000000000000	100000000000000000
53	10000000000000000	200000000000000000
54	20000000000000000	500000000000000000
55	50000000000000000	1000000000000000000
56	100000000000000000	2000000000000000000
57	200000000000000000	5000000000000000000
58	500000000000000000	10000000000000000000
59	1000000000000000000	20000000000000000000
60	2000000000000000000	50000000000000000000
61	5000000000000000000	100000000000000000000
62	10000000000000000000	200000000000000000000
63	20000000000000000000	500000000000000000000
64	50000000000000000000	1000000000000000000000
65	100000000000000000000	2000000000000000000000
66	200000000000000000000	5000000000000000000000
67	500000000000000000000	10000000000000000000000
68	1000000000000000000000	20000000000000000000000
69	2000000000000000000000	50000000000000000000000
70	5000000000000000000000	100000000000000000000000
71	10000000000000000000000	200000000000000000000000
72	20000000000000000000000	500000000000000000000000
73	50000000000000000000000	1000000000000000000000000
74	100000000000000000000000	2000000000000000000000000
75	200000000000000000000000	5000000000000000000000000
76	500000000000000000000000	10000000000000000000000000
77	1000000000000000000000000	20000000000000000000000000
78	2000000000000000000000000	50000000000000000000000000
79	5000000000000000000000000	100000000000000000000000000
80	10000000000000000000000000	200000000000000000000000000
81	20000000000000000000000000	500000000000000000000000000
82	50000000000000000000000000	1000000000000000000000000000
83	100000000000000000000000000	2000000000000000000000000000
84	200000000000000000000000000	5000000000000000000000000000
85	500000000000000000000000000	10000000000000000000000000000
86	1000000000000000000000000000	20000000000000000000000000000
87	2000000000000000000000000000	50000000000000000000000000000
88	5000000000000000000000000000	100000000000000000000000000000
89	10000000000000000000000000000	200000000000000000000000000000
90	20000000000000000000000000000	500000000000000000000000000000
91	50000000000000000000000000000	1000000000000000000000000000000
92	100000000000000000000000000000	2000000000000000000000000000000
93	200000000000000000000000000000	5000000000000000000000000000000
94	500000000000000000000000000000	10000000000000000000000000000000
95	1000000000000000000000000000000	20000000000000000000000000000000
96	2000000000000000000000000000000	50000000000000000000000000000000
97	5000000000000000000000000000000	100000000000000000000000000000000
98	10000000000000000000000000000000	200000000000000000000000000000000
99	20000000000000000000000000000000	500000000000000000000000000000000
100	50000000000000000000000000000000	1000000000000000000000000000000000