

MEDIUM : AIR
MEDIUM : LUFT
FLUIDE : AIR
FLUIDO : ARIA

NOMINAL DIAMETER :
NENNWEITE :
DIAMETRE NOMINAL :
DIAMETRO NOMINALE : MIN \varnothing 7.0 mm

WIDTH ACROSS FLATS
SCHLUESSELWEITE
SURPLATS
LARGHEZZA IN CHIAVE

TEMPERAL RANGE OF APPLICATION :
THERMISCHER ANWENDUNGSBEREICH :
BAMME D'APPLICATION TERMIQUE :
CAMPO DI APPLICAZIONE TERMICA : -40°C...+80°C

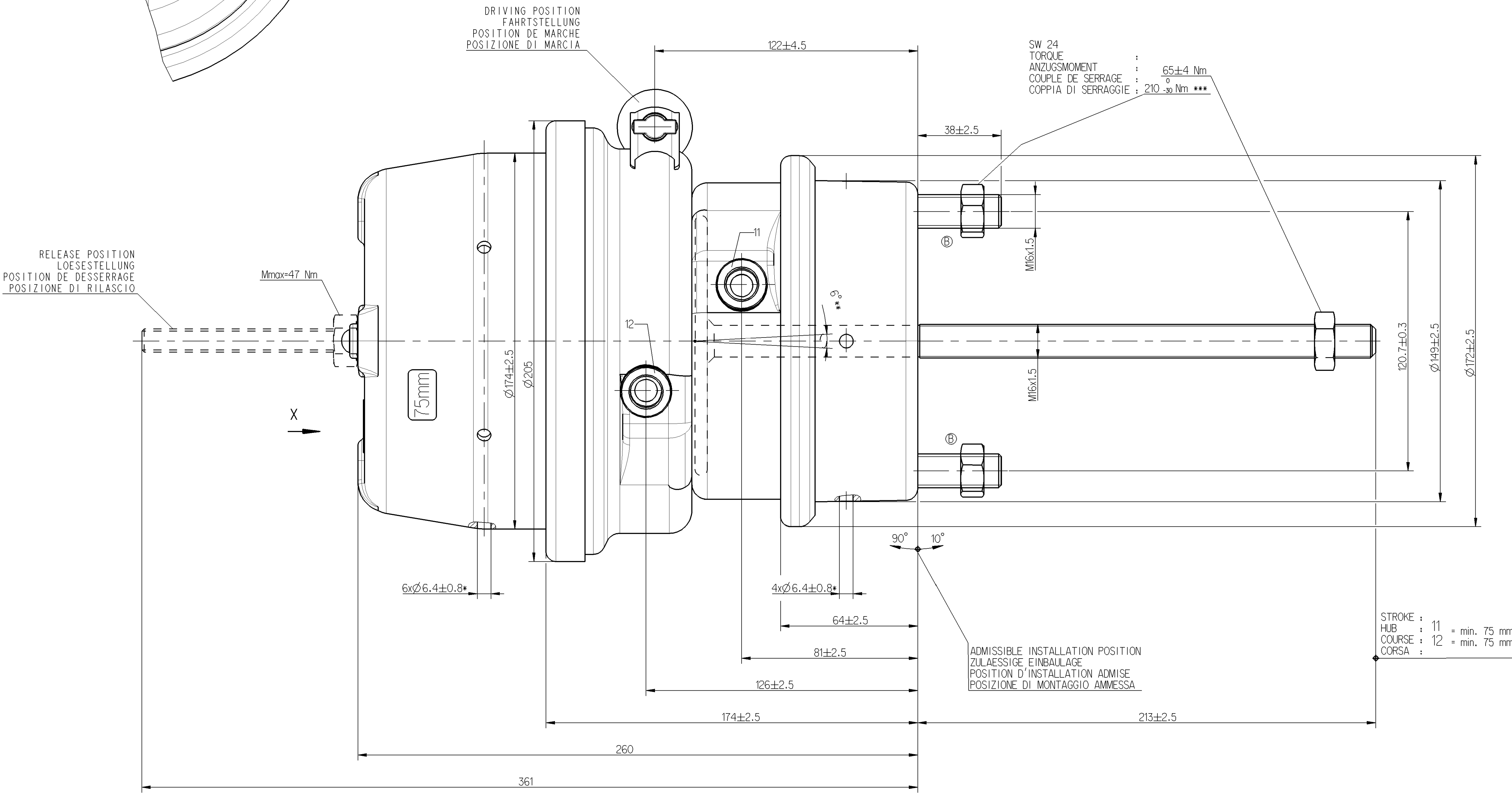
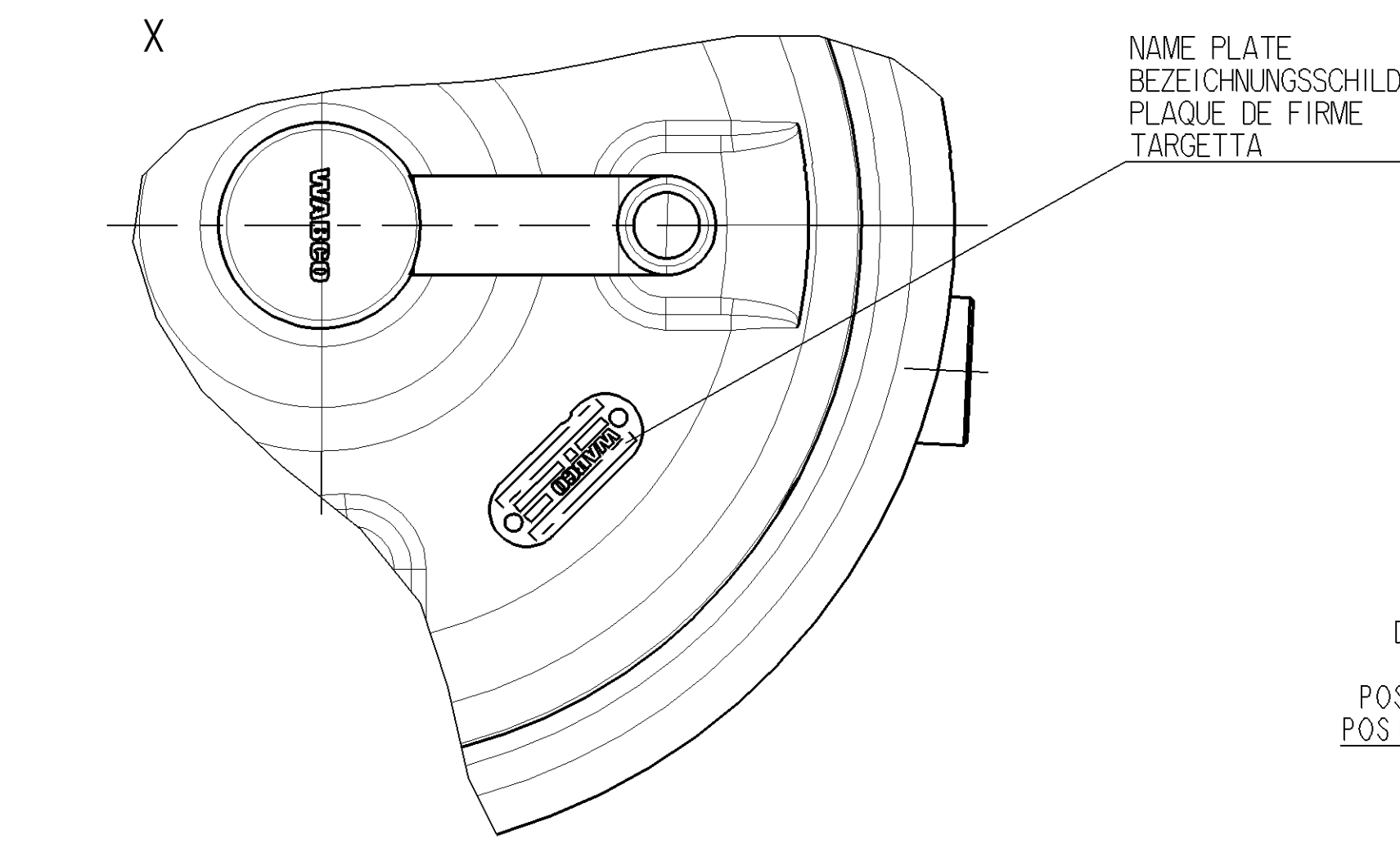
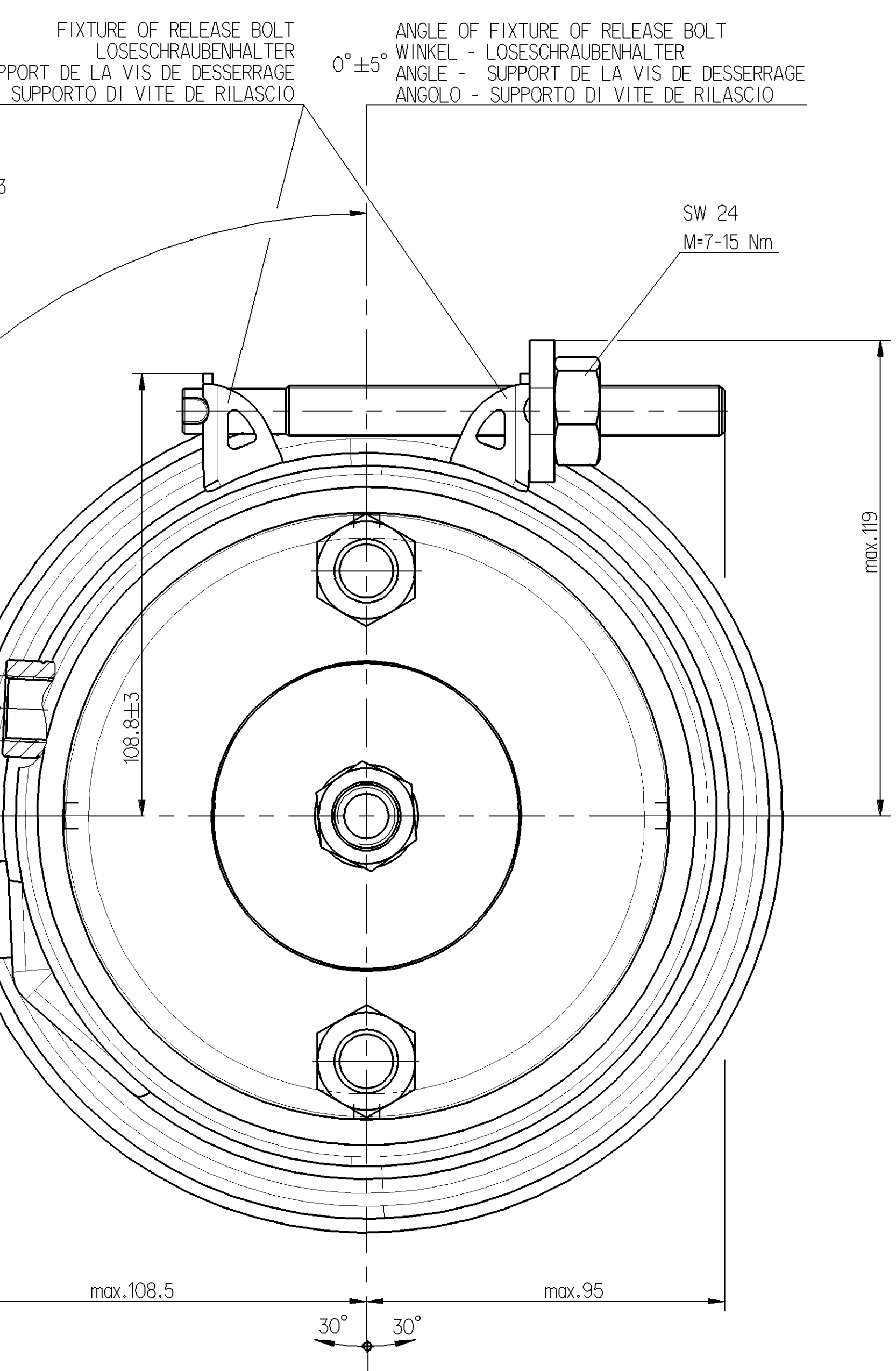
PORT : SERVICE BRAKING SYSTEM, WORKING PRESSURE : Pe max. = 10.2 bar (TEMPORARILY : Pe max. = 13 bar)
ANSCHLUSS : 11 BETRIEBSBREMSSANLAGE, BETRIEBSDRUCK (KURZZEITIG : Pe max. = 13 bar)
ORIFICE : DISPOSITIF DE FREINAGE DE SERVICE, PRESSION D'UTILISATION (DE COURTE DUREE : Pe max. = 13 bar)
ORIFIZIO : DISPOSITIVO DI FREMATURA DI SERVIZIO, PRESSIONE DI ESERCIZIO (BREVE TEMPO SOLO : Pe max. = 13 bar)

PORT : SPRING BRAKE CYLINDER, WORKING PRESSURE : Pe max. = 8.5 bar (TEMPORARILY : Pe max. = 11 bar)
ANSCHLUSS : FEDERSPEICHERZYLINDER, BETRIEBSDRUCK (KURZZEITIG : Pe max. = 11 bar)
ORIFICE : CYLINDRE A RESSORT, PRESSION D'UTILISATION (DE COURTE DUREE : Pe max. = 11 bar)
ORIFIZIO : CILINDRO A MOLLA, PRESSIONE DI ESERCIZIO (BREVE TEMPO SOLO : Pe max. = 11 bar)

OPEN BREATHER HOLE
OFFEN ATMUNGSBOHRUNG
OUVERT TROU RENIFLEUR
APERTO FORO RESPIRATORE

DEFLECTION : 6° AT STROKE
AUSLENKUNG : 6° BEI HUB
DEFLEXION : 6° A COURSE
DEVIAZIONE : 6° A CORSA

SEE TECHNICAL INFORMATION SHEET :
SIEHE KONSTRUKTIONSBLATT : 826 102 526 3
VOIR NOTICE TECHNIQUE
VEDERE FASCICOLO DESCRITTI



TO BE INSTALLED WITH LOWER BREATHER HOLE OPEN
IM EIMBAUZUSTAND UNTERE ATMUNGSBOHRUNG OFFEN
A MONTER AVEC LE RENIFLARD INFÉRIEUR OUVERT
INSTALLAZIONE CON IL FORO DI SFILATO INFERIORE APERTO

DELIVERY ANLIEFERUNG LIVRAISON FORNITURA

RELEASE POSITION LOESESTELLUNG POSITION DE DESSERRAGE POSIZIONE DI RILASCIO

DRIVING POSITION FAHRTSTELLUNG POSITION DE MARCHE POSIZIONE DI MARCIA

General Specification: JED-334-D		Copyright: WABCO		WABCO	
Further Technical Data		Date: 2007-01-26		Signature: Saborski	
Doc. Code: 2007-01-26		Sheet: 1		To: 20/30	
General Tolerances: ISO-201		Scale: 1:1		Material No.: 925 375 100 0	
Range of Nominal Dimensions (L ± mm)		Material No.: 005		Sheet: 1/1	
Class	IT	IT	IT	IT	IT
11	± 50	± 80	± 120	± 180	± 300
12	± 50	± 80	± 120	± 180	± 300
13	± 50	± 80	± 120	± 180	± 300
14	± 50	± 80	± 120	± 180	± 300
15	± 50	± 80	± 120	± 180	± 300
16	± 50	± 80	± 120	± 180	± 300
17	± 50	± 80	± 120	± 180	± 300
18	± 50	± 80	± 120	± 180	± 300
19	± 50	± 80	± 120	± 180	± 300
20	± 50	± 80	± 120	± 180	± 300
21	± 50	± 80	± 120	± 180	± 300
22	± 50	± 80	± 120	± 180	± 300
23	± 50	± 80	± 120	± 180	± 300
24	± 50	± 80	± 120	± 180	± 300
25	± 50	± 80	± 120	± 180	± 300
26	± 50	± 80	± 120	± 180	± 300
27	± 50	± 80	± 120	± 180	± 300
28	± 50	± 80	± 120	± 180	± 300
29	± 50	± 80	± 120	± 180	± 300
30	± 50	± 80	± 120	± 180	± 300
31	± 50	± 80	± 120	± 180	± 300
32	± 50	± 80	± 120	± 180	± 300
33	± 50	± 80	± 120	± 180	± 300
34	± 50	± 80	± 120	± 180	± 300
35	± 50	± 80	± 120	± 180	± 300
36	± 50	± 80	± 120	± 180	± 300
37	± 50	± 80	± 120	± 180	± 300
38	± 50	± 80	± 120	± 180	± 300
39	± 50	± 80	± 120	± 180	± 300
40	± 50	± 80	± 120	± 180	± 300
41	± 50	± 80	± 120	± 180	± 300
42	± 50	± 80	± 120	± 180	± 300
43	± 50	± 80	± 120	± 180	± 300
44	± 50	± 80	± 120	± 180	± 300
45	± 50	± 80	± 120	± 180	± 300
46	± 50	± 80	± 120	± 180	± 300
47	± 50	± 80	± 120	± 180	± 300
48	± 50	± 80	± 120	± 180	± 300
49	± 50	± 80	± 120	± 180	± 300
50	± 50	± 80	± 120	± 180	± 300