

co. $1.09 \times 10^3 \text{ cm}^3$

co. $2.12 \times 10^3 \text{ cm}^3$

pe $4.7 \pm 0.3 \text{ bar}$

MEDIUM : AIR
MEDIUM : LUFT
FLUIDE : AIR
FLUIDO : ARIA

NOMINAL DIAMETER : MIN $\varnothing 7.0 \text{ mm}$
NENNWEITE : MIN $\varnothing 7.0 \text{ mm}$
DIAMETRE NOMINAL : MIN $\varnothing 7.0 \text{ mm}$
DIAMETRO NOMINALE : MIN $\varnothing 7.0 \text{ mm}$

WIDTH ACROSS FLATS : SW
SCHLUESSELWEITE : SW
SURLATS : SW
LARGHEZZA IN CHIAVE : SW

THERMAL RANGE OF APPLICATION :
THERMISCHER ANWENDUNGSBEREICH : $-40^\circ\text{C} \dots +80^\circ\text{C}$
BAMME D'APPLICATION THERMIQUE :
CAMPO DI APPLICAZIONE TERMICA :

PORT : SERVICE BRAKING SYSTEM, WORKING PRESSURE
ANSCHLUSS : 11 BETRIEBSBREMSEANLAGE, BETRIEBSDRUCK
ORIFICE : DISPOSITIF DE FREINAGE DE SERVICE, PRESSION D'UTILISATION
ORIFIZIO : DISPOSITIVO DI FRENATURA DI SERVIZIO, PRESSIONE DI ESERCIZIO

Pe max. = 10.2 bar (TEMPORARILY : Pe max. = 13 bar)
(KURZZEITIG : (DE COURTE DUREE : (BREVE TEMPO SOLO:

PORT : SPRING BRAKE CYLINDER, WORKING PRESSURE
ANSCHLUSS : 12 FEDERSPEICHERZYLINDER, BETRIEBSDRUCK
ORIFICE : CYLINDRE A RESSORT, PRESSION D'UTILISATION
ORIFIZIO : CILINDRO A MOLLA, PRESSIONE DI ESERCIZIO

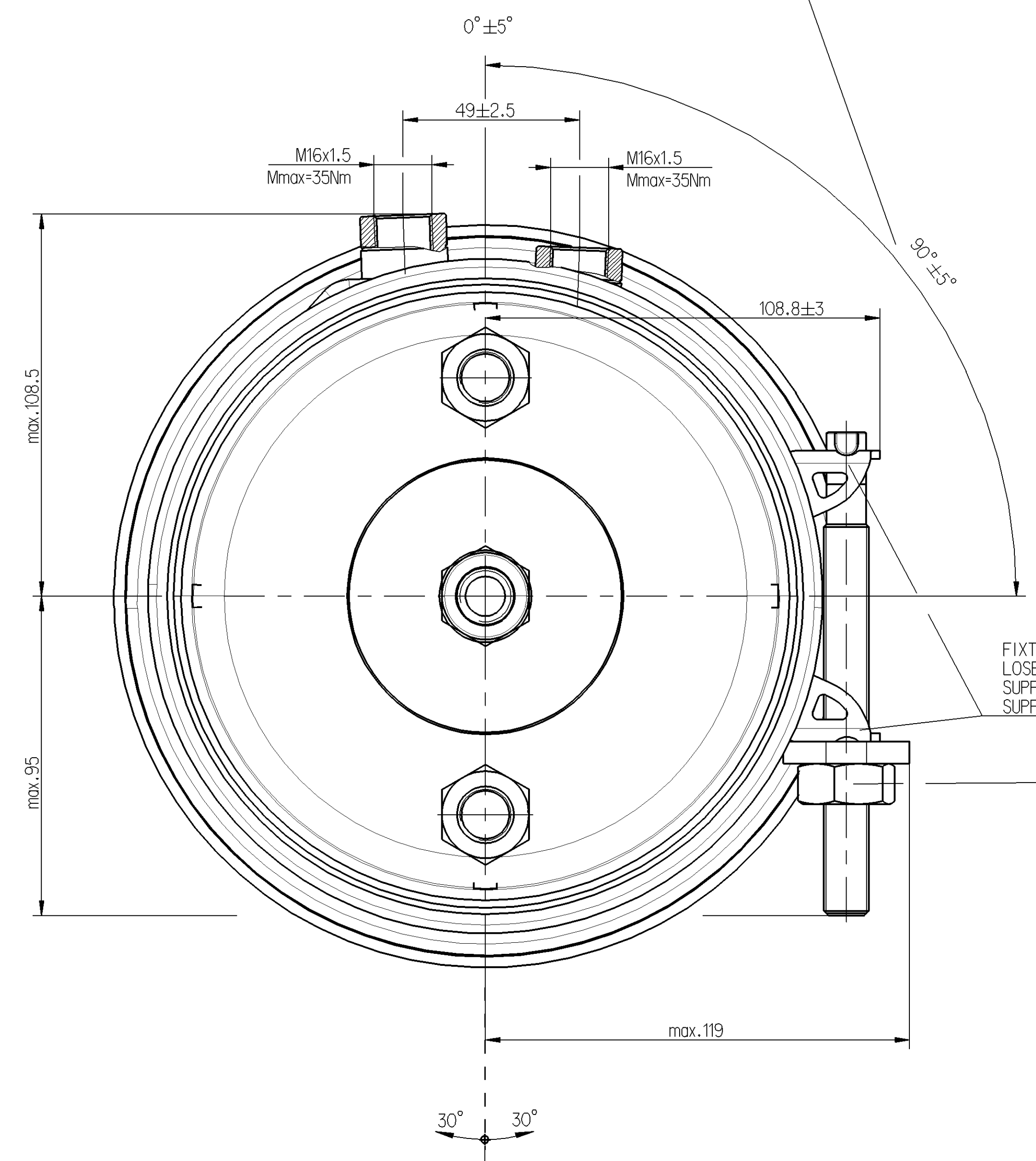
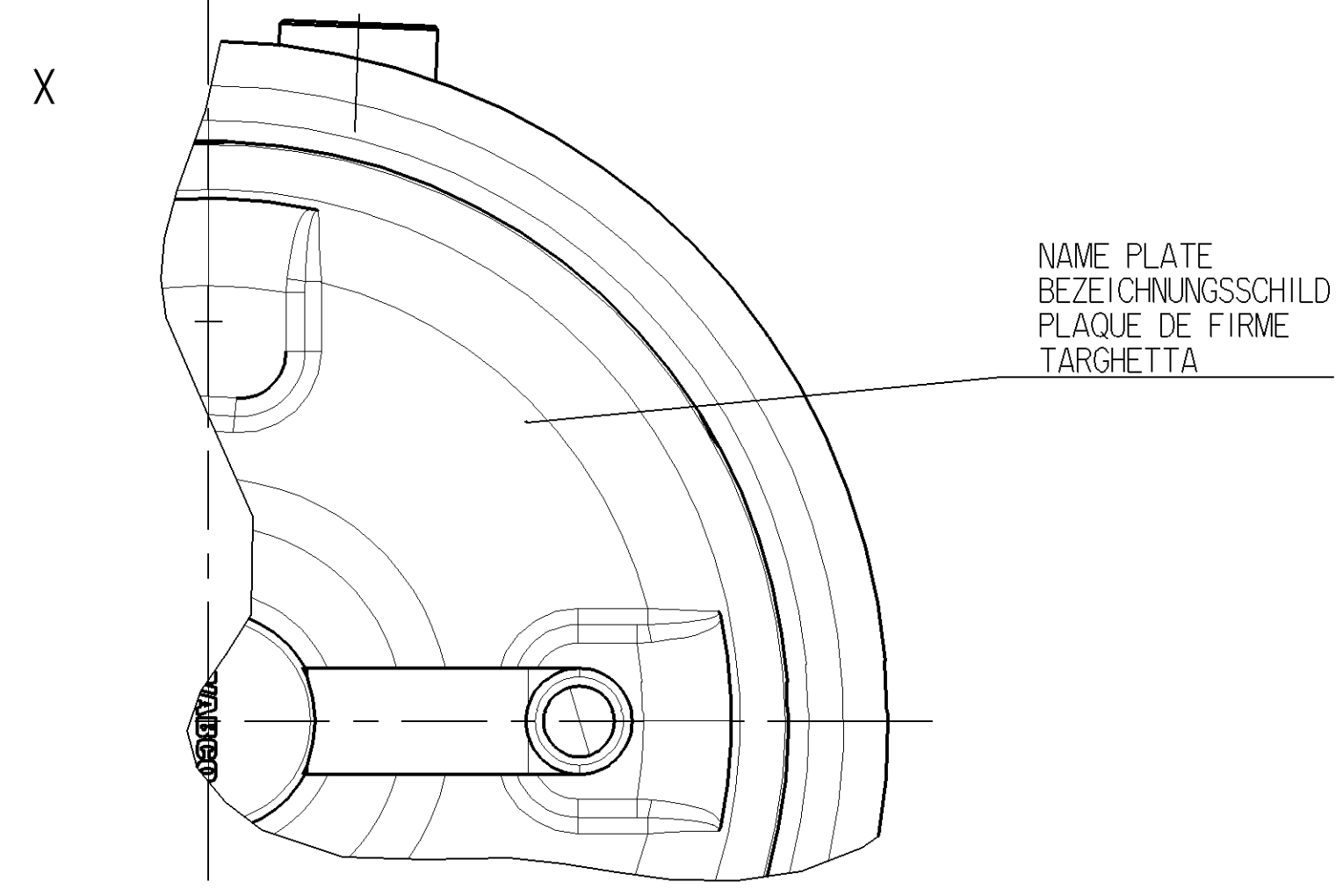
Pe max. = 8.5 bar (TEMPORARILY : Pe max. = 11 bar)
(KURZZEITIG : (DE COURTE DUREE : (BREVE TEMPO SOLO:

OPEN BREATHER HOLE
OFFEN ATMUNGSBOHRUNG
OUVERT TROU RENIFLEUR
APERTO FORO RESPIRATORE

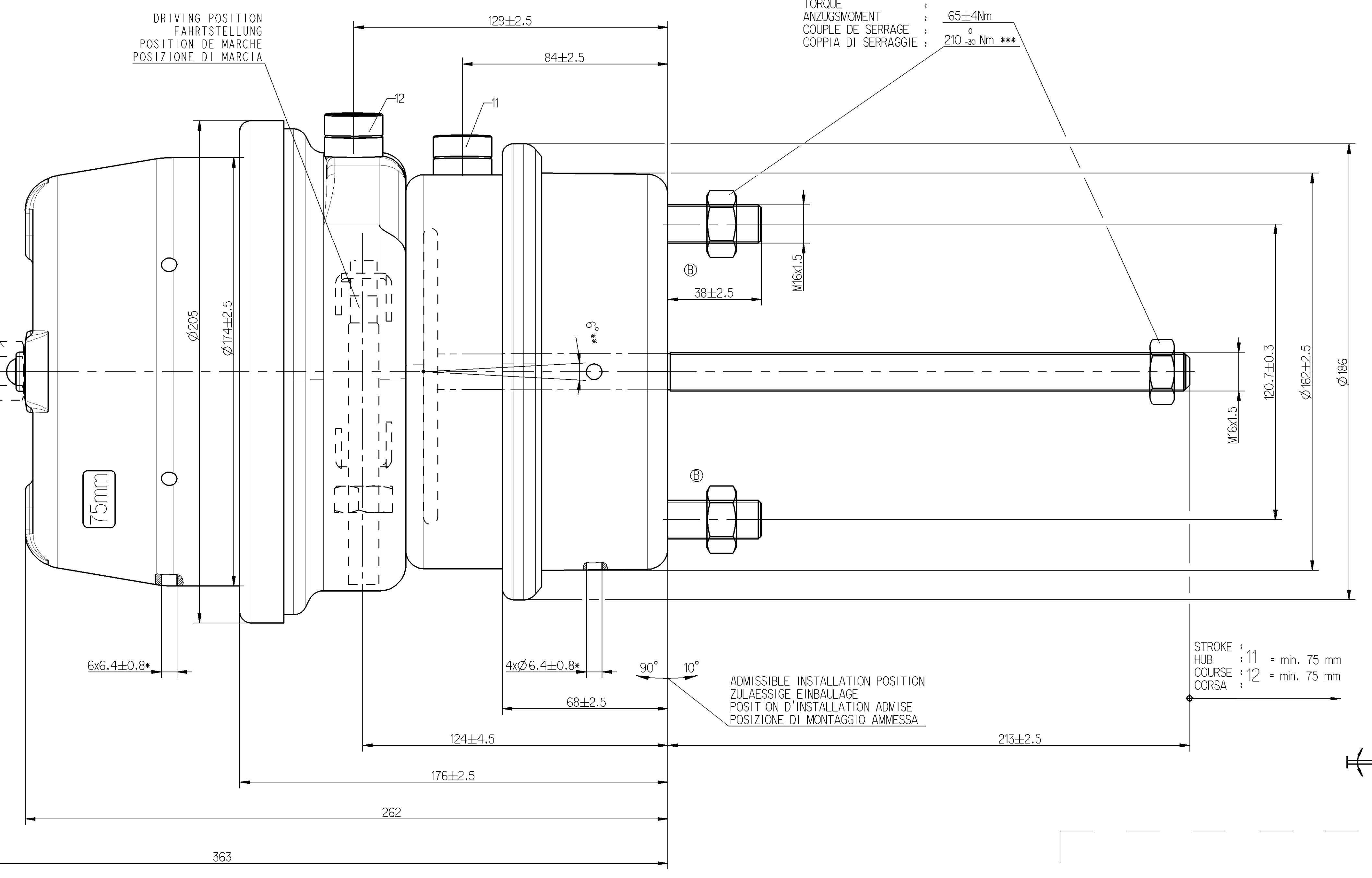
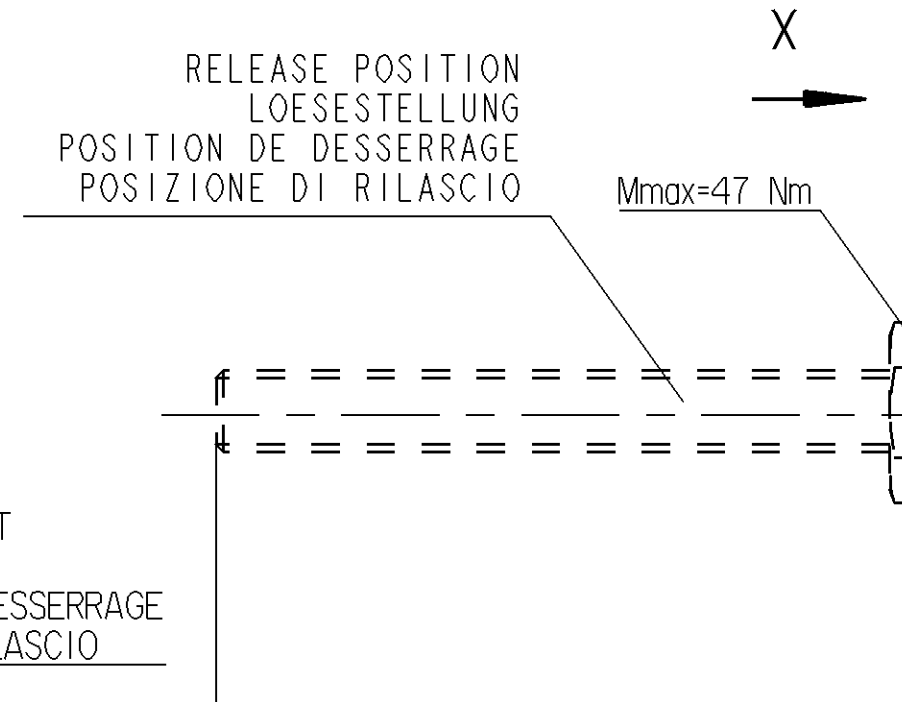
DEFLECTION : 6° AT STROKE
AUSLENKUNG : 6° BEI HUB 0 mm
DEFLEXION : 6° A COURSE
DEVIAZIONE : 6° A CORSA

SEE TECHNICAL INFORMATION SHEET :
SIEHE KONSTRUKTIONSBLATT : 826 102 526 3
VOIR NOTICE TECHNIQUE
VEDERE FASCICOLO DESCRITTI :

ANGLE OF FIXTURE OF RELEASE BOLT
WINKEL - LOESESCHRAUBENHALTER
ANGLE - SUPPORT DE LA VIS DE DESSERRAGE
ANGOLO - SUPPORTO DI VITE DE RILASCIO



TO BE INSTALLED WITH LOWER BREATHER HOLE OPEN
IM EINBAUZUSTAND UNTERE ATMUNGSBOHRUNG OFFEN
A MONTER AVEC LE RENIFLARD INFERIEUR OUVERT
INSTALLAZIONE CON IL FORO DI SFIATO INFERIORE APERTO



DELIVERY
ANLIEFERUNG
LIVRAISON
FORNITURA

RELEASE POSITION
LOESESTELLUNG
POSITION DE DESSERRAGE
POSIZIONE DI RILASCIO

DRIVING POSITION
FAHRTSTELLUNG
POSITION DE MARCHE
POSIZIONE DI MARCIA

General Specification: JED-334-0		Copyright: WABCO *		WABCO	
Further Technical Data		Date: 2007-01-03		Signature: Dobruski	
Doc. Code: 2007-01-03		Sheet: 1		To: 24/30	
Range of Nominal Diameters (L x mm)		2007-01-12		Saberka	
Class 11: 50 - 180		Class 12: 180 - 400		TRISTOP A DOUBLE DIAPHRAGME	
Class 13: 400 - 600		Class 14: 600 - 800		TRISTOP A DOPPIA DIAPHRAMMA	
Class 15: 800 - 1000		Class 16: 1000 - 1200		TRISTOP A DOPPIA DIAPHRAMMA	
Class 17: 1200 - 1500		Class 18: 1500 - 2000		TRISTOP A DOPPIA DIAPHRAMMA	
Class 19: 2000 - 2500		Class 20: 2500 - 3000		TRISTOP A DOPPIA DIAPHRAMMA	
Class 21: 3000 - 3500		Class 22: 3500 - 4000		TRISTOP A DOPPIA DIAPHRAMMA	
Class 23: 4000 - 4500		Class 24: 4500 - 5000		TRISTOP A DOPPIA DIAPHRAMMA	
Class 25: 5000 - 5500		Class 26: 5500 - 6000		TRISTOP A DOPPIA DIAPHRAMMA	
Class 27: 6000 - 6500		Class 28: 6500 - 7000		TRISTOP A DOPPIA DIAPHRAMMA	
Class 29: 7000 - 7500		Class 30: 7500 - 8000		TRISTOP A DOPPIA DIAPHRAMMA	
Class 31: 8000 - 8500		Class 32: 8500 - 9000		TRISTOP A DOPPIA DIAPHRAMMA	
Class 33: 9000 - 9500		Class 34: 9500 - 10000		TRISTOP A DOPPIA DIAPHRAMMA	
Class 35: 10000 - 10500		Class 36: 10500 - 11000		TRISTOP A DOPPIA DIAPHRAMMA	
Class 37: 11000 - 11500		Class 38: 11500 - 12000		TRISTOP A DOPPIA DIAPHRAMMA	
Class 39: 12000 - 12500		Class 40: 12500 - 13000		TRISTOP A DOPPIA DIAPHRAMMA	
Class 41: 13000 - 13500		Class 42: 13500 - 14000		TRISTOP A DOPPIA DIAPHRAMMA	
Class 43: 14000 - 14500		Class 44: 14500 - 15000		TRISTOP A DOPPIA DIAPHRAMMA	
Class 45: 15000 - 15500		Class 46: 15500 - 16000		TRISTOP A DOPPIA DIAPHRAMMA	
Class 47: 16000 - 16500		Class 48: 16500 - 17000		TRISTOP A DOPPIA DIAPHRAMMA	
Class 49: 17000 - 17500		Class 50: 17500 - 18000		TRISTOP A DOPPIA DIAPHRAMMA	
Class 51: 18000 - 18500		Class 52: 18500 - 19000		TRISTOP A DOPPIA DIAPHRAMMA	
Class 53: 19000 - 19500		Class 54: 19500 - 20000		TRISTOP A DOPPIA DIAPHRAMMA	
Class 55: 20000 - 20500		Class 56: 20500 - 21000		TRISTOP A DOPPIA DIAPHRAMMA	
Class 57: 21000 - 21500		Class 58: 21500 - 22000		TRISTOP A DOPPIA DIAPHRAMMA	
Class 59: 22000 - 22500		Class 60: 22500 - 23000		TRISTOP A DOPPIA DIAPHRAMMA	
Class 61: 23000 - 23500		Class 62: 23500 - 24000		TRISTOP A DOPPIA DIAPHRAMMA	
Class 63: 24000 - 24500		Class 64: 24500 - 25000		TRISTOP A DOPPIA DIAPHRAMMA	
Class 65: 25000 - 25500		Class 66: 25500 - 26000		TRISTOP A DOPPIA DIAPHRAMMA	
Class 67: 26000 - 26500		Class 68: 26500 - 27000		TRISTOP A DOPPIA DIAPHRAMMA	
Class 69: 27000 - 27500		Class 70: 27500 - 28000		TRISTOP A DOPPIA DIAPHRAMMA	
Class 71: 28000 - 28500		Class 72: 28500 - 29000		TRISTOP A DOPPIA DIAPHRAMMA	
Class 73: 29000 - 29500		Class 74: 29500 - 30000		TRISTOP A DOPPIA DIAPHRAMMA	
Class 75: 30000 - 30500		Class 76: 30500 - 31000		TRISTOP A DOPPIA DIAPHRAMMA	
Class 77: 31000 - 31500		Class 78: 31500 - 32000		TRISTOP A DOPPIA DIAPHRAMMA	
Class 79: 32000 - 32500		Class 80: 32500 - 33000		TRISTOP A DOPPIA DIAPHRAMMA	
Class 81: 33000 - 33500		Class 82: 33500 - 34000		TRISTOP A DOPPIA DIAPHRAMMA	
Class 83: 34000 - 34500		Class 84: 34500 - 35000		TRISTOP A DOPPIA DIAPHRAMMA	
Class 85: 35000 - 35500		Class 86: 35500 - 36000		TRISTOP A DOPPIA DIAPHRAMMA	
Class 87: 36000 - 36500		Class 88: 36500 - 37000		TRISTOP A DOPPIA DIAPHRAMMA	
Class 89: 37000 - 37500		Class 90: 37500 - 38000		TRISTOP A DOPPIA DIAPHRAMMA	
Class 91: 38000 - 38500		Class 92: 38500 - 39000		TRISTOP A DOPPIA DIAPHRAMMA	
Class 93: 39000 - 39500		Class 94: 39500 - 40000		TRISTOP A DOPPIA DIAPHRAMMA	
Class 95: 40000 - 40500		Class 96: 40500 - 41000		TRISTOP A DOPPIA DIAPHRAMMA	
Class 97: 41000 - 41500		Class 98: 41500 - 42000		TRISTOP A DOPPIA DIAPHRAMMA	
Class 99: 42000 - 42500		Class 100: 42500 - 43000		TRISTOP A DOPPIA DIAPHRAMMA	
Class 101: 43000 - 43500		Class 102: 43500 - 44000		TRISTOP A DOPPIA DIAPHRAMMA	
Class 103: 44000 - 44500		Class 104: 44500 - 45000		TRISTOP A DOPPIA DIAPHRAMMA	
Class 105: 45000 - 45500		Class 106: 45500 - 46000		TRISTOP A DOPPIA DIAPHRAMMA	
Class 107: 46000 - 46500		Class 108: 46500 - 47000		TRISTOP A DOPPIA DIAPHRAMMA	
Class 109: 47000 - 47500		Class 110: 47500 - 48000		TRISTOP A DOPPIA DIAPHRAMMA	
Class 111: 48000 - 48500		Class 112: 48500 - 49000		TRISTOP A DOPPIA DIAPHRAMMA	
Class 113: 49000 - 49500		Class 114: 49500 - 50000		TRISTOP A DOPPIA DIAPHRAMMA	
Class 115: 50000 - 50500		Class 116: 50500 - 51000		TRISTOP A DOPPIA DIAPHRAMMA	
Class 117: 51000 - 51500		Class 118: 51500 - 52000		TRISTOP A DOPPIA DIAPHRAMMA	
Class 119: 52000 - 52500		Class 120: 52500 - 53000		TRISTOP A DOPPIA DIAPHRAMMA	
Class 121: 53000 - 53500		Class 122: 53500 - 54000		TRISTOP A DOPPIA DIAPHRAMMA	
Class 123: 54000 - 54500		Class 124: 54500 - 55000		TRISTOP A DOPPIA DIAPHRAMMA	
Class 125: 55000 - 55500		Class 126: 55500 - 56000		TRISTOP A DOPPIA DIAPHRAMMA	
Class 127: 56000 - 56500		Class 128: 56500 - 57000		TRISTOP A DOPPIA DIAPHRAMMA	
Class 129: 57000 - 57500		Class 130: 57500 - 58000		TRISTOP A DOPPIA DIAPHRAMMA	
Class 131: 58000 - 58500		Class 132: 58500 - 59000		TRISTOP A DOPPIA DIAPHRAMMA	
Class 133: 59000 - 59500		Class 134: 59500 - 60000		TRISTOP A DOPPIA DIAPHRAMMA	
Class 135: 60000 - 60500		Class 136: 60500 - 61000		TRISTOP A DOPPIA DIAPHRAMMA	
Class 137: 61000 - 61500		Class 138: 61500 - 62000		TRISTOP A DOPPIA DIAPHRAMMA	
Class 139: 62000 - 62500		Class 140: 62500 - 63000		TRISTOP A DOPPIA DIAPHRAMMA	
Class 141: 63000 - 63500		Class 142: 63500 - 64000		TRISTOP A DOPPIA DIAPHRAMMA	
Class 143: 64000 - 64500		Class 144: 64500 - 65000		TRISTOP A DOPPIA DIAPHRAMMA	
Class 145: 65000 - 65500		Class 146: 65500 - 66000		TRISTOP A DOPPIA DIAPHRAMMA	
Class 147: 66000 - 66500		Class 148: 66500 - 67000		TRISTOP A DOPPIA DIAPHRAMMA	
Class 149: 67000 - 67500		Class 150: 67500 - 68000		TRISTOP A DOPPIA DIAPHRAMMA	
Class 151: 68000 - 68500		Class 152: 68500 - 69000		TRISTOP A DOPPIA DIAPHRAMMA	
Class 153: 69000 - 69500		Class 154: 69500 - 70000		TRISTOP A DOPPIA DIAPHRAMMA	
Class 155: 70000 - 70500		Class 156: 70500 - 71000		TRISTOP A DOPPIA DIAPHRAMMA	
Class 157: 71000 - 71500		Class 158: 71500 - 72000		TRISTOP A DOPPIA DIAPHRAMMA	
Class 159: 72000 - 72500		Class 160: 72500 - 73000		TRISTOP A DOPPIA DIAPHRAMMA	
Class 161: 73000 - 73500		Class 162: 73500 - 74000		TRISTOP A DOPPIA DIAPHRAMMA	
Class 163: 74000 - 74500		Class 164: 74500 - 75000		TRISTOP A DOPPIA DIAPHRAMMA	
Class 165: 75000 - 75500		Class 166: 75500 - 76000		TRISTOP A DOPPIA DIAPHRAMMA	
Class 167: 76000 - 76500		Class 168: 76500 - 77000		TRISTOP A DOPPIA DIAPHRAMMA	
Class 169: 77000 - 77500		Class 170: 77500 - 78000		TRISTOP A DOPPIA DIAPHRAMMA	
Class 171: 78000 - 78500		Class 172: 78500 - 79000		TRISTOP A DOPPIA DIAPHRAMMA	
Class 173: 79000 - 79500		Class 174: 79500 - 80000		TRISTOP A DOPPIA DIAPHRAMMA	
Class 175: 80000 - 80500		Class 176: 80500 - 81000		TRISTOP A DOPPIA DIAPHRAMMA	
Class 177: 81000 - 81500		Class 178: 81500 - 82000		TRISTOP A DOPPIA DIAPHRAMMA	
Class 179: 82000 - 82500		Class 180: 82500 - 83000		TRISTOP A DOPPIA DIAPHRAMMA	
Class 181: 83000 - 83500		Class 182: 83500 - 84000		TRISTOP A DOPPIA DIAPHRAMMA	
Class 183: 84000 - 84500		Class 184: 84500 - 85000		TRISTOP A DOPPIA DIAPHRAMMA	
Class 185: 85000 - 85500		Class 186: 85500 - 86000		TRISTOP A DOPPIA DIAPHRAMMA	
Class 187: 86000 - 86500		Class 188: 86500 - 87000		TRISTOP A DOPPIA DIAPHRAMMA	
Class 189: 87000 - 87500		Class 190: 87500 - 88000		TRISTOP A DOPPIA DIAPHRAMMA	
Class 191: 88000 - 88500		Class 192: 88500 - 89000		TRISTOP A DOPPIA DIAPHRAMMA	
Class 193: 89000 - 89500		Class 194: 89500 - 90000		TRISTOP A DOPPIA DIAPHRAMMA	
Class 195: 90000 - 90500		Class 196: 90500 - 91000		TRISTOP A DOPPIA DIAPHRAMMA	
Class 197: 91000 - 91500		Class 198: 91500 - 92000		TRISTOP A DOPPIA DIAPHRAMMA	
Class 199: 92000 - 92500		Class 200: 92500 - 93000		TRISTOP A DOPPIA DIAPHRAMMA	
Class 201: 93000 - 93500		Class 202: 93500 - 94000		TRISTOP A DOPPIA DIAPHRAMMA	
Class 203: 94000 - 94500		Class 204: 94500 - 95000		TRISTOP A DOPPIA DIAPHRAMMA	
Class 205: 95000 - 95500		Class 206: 95500 - 96000		TRISTOP A DOPPIA DIAPHRAMMA	
Class 207: 96000 - 96500		Class 208: 96500 - 97000		TRISTOP A DOPPIA DIAPHRAMMA	
Class 209: 97000 - 97500		Class 210: 97500 - 98000		TRISTOP A DOPPIA DIAPHRAMMA	
Class 211: 98000 - 98500		Class 212: 98500 - 99000		TRISTOP A DOPPIA DIAPHRAMMA	
Class 213: 99000 - 99500		Class 214: 99500 - 100000		TRISTOP A DOPPIA DIAPHRAMMA	
Class 215: 100000 - 100500		Class 216: 100500 - 101000		TRISTOP A DOPPIA DIAPHRAMMA	
Class 217: 101000 - 101500		Class 218: 101500 - 102000		TRISTOP A DOPPIA DIAPHRAMMA	
Class 219: 102000 - 102500		Class 220: 102500 - 103000		TRISTOP A DOPPIA DIAPHRAMMA	
Class 221: 103000 - 103500		Class 222: 103500 - 104000		TRISTOP A DOPPIA DIAPHRAMMA	
Class 223: 104000 - 104500		Class 224: 104500 - 105000		TRISTOP A DOPPIA DIAPHRAMMA	
Class 225: 105000 - 105500		Class 226: 105500 - 106000		TRISTOP A DOPPIA DIAPHRAMMA	
Class 227: 106000 - 106500		Class 228: 106500 - 107000		TRISTOP A DOPPIA DIAPHRAMMA	
Class 229: 107000 - 107500		Class 230: 107500 - 108000		TRISTOP A DOPPIA DIAPHRAMMA	
Class 231: 108000 - 108500		Class 232: 108500 - 109000		TRISTOP A DOPPIA DIAPHRAMMA	
Class 233: 1090					