

MEDIUM : AIR
 MEDIUM : LUFT
 FLUIDE : AIR
 FLUIDO : ARIA

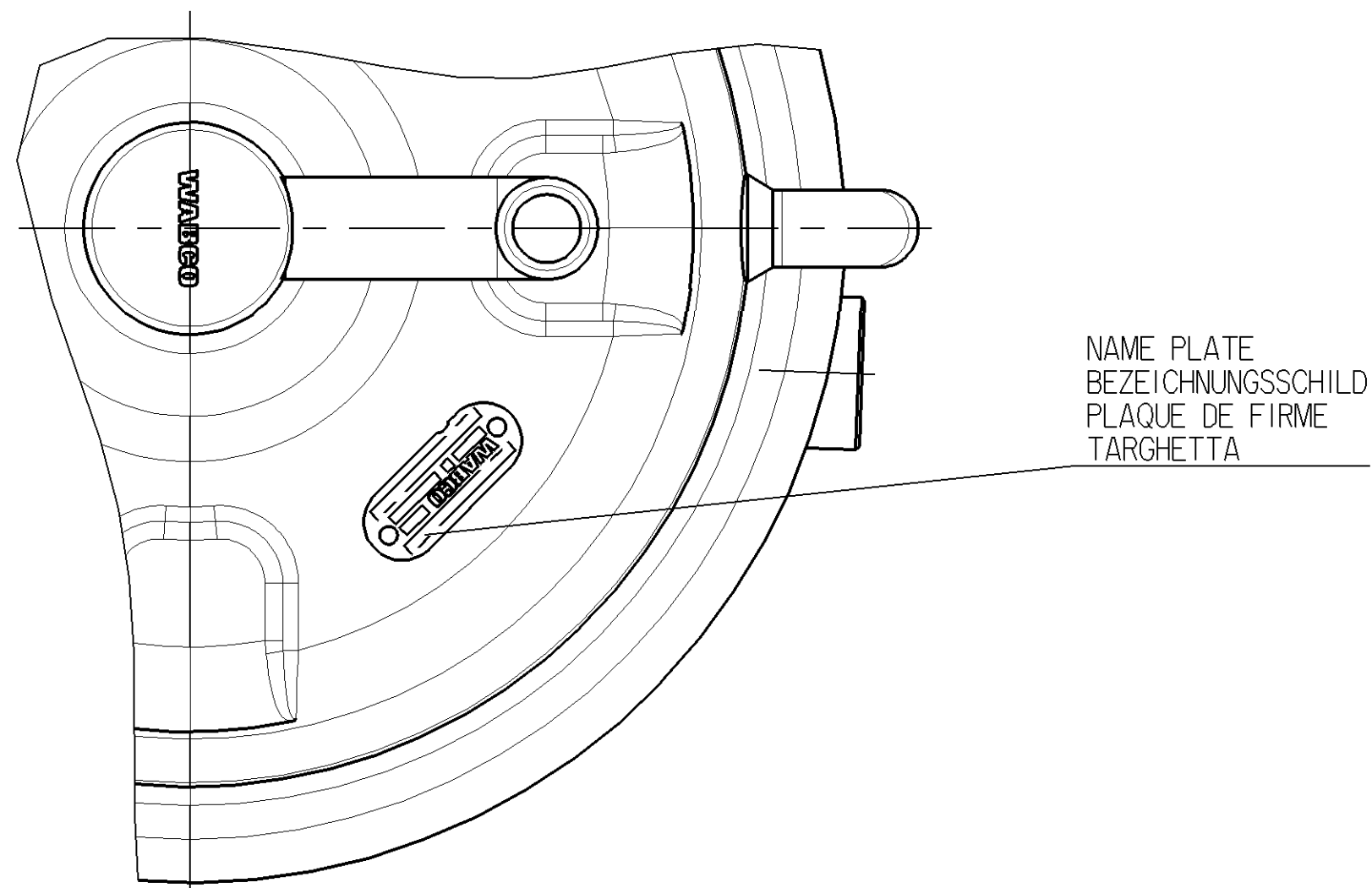
NOMINAL DIAMETER :
 NENNWEITE :
 DIAMETRE NOMINAL :
 DIAMETRO Nominale : MIN $\varnothing 7.0 \text{ mm}$ SW

WIDTH ACROSS FLATS
 SCHLUESSELWEITE
 SURPLATS
 LARGHEZZA IN CHIAVE

THERMAL RANGE OF APPLICATION :
 THERMISCHER ANWENDUNGSBEREICH :
 GAMME D'APPLICATION TERMIQUE :
 CAMPO DI APPLICAZIONE TERMICA :
 : -40°C...+80°C

PORT : SERVICE BRAKING SYSTEM, WORKING PRESSURE : Pe max. = 10.2 bar (TEMPORARILY : Pe max. = 13 bar)
 ANSCHLUSS : 11 BETRIEBSBREMSEANLAGE, BETRIEBSDRUCK : (KURZZEITIG : Pe max. = 13 bar)
 ORIFICE : DISPOSITIF DE FREINAGE DE SERVICE, PRESSION D'UTILISATION : (DE COURTE DUREE : Pe max. = 13 bar)
 ORIFIZIO : DISPOSITIVO DI FREMATURA DI SERVIZIO, PRESSIONE DI ESERCIZIO : (BREVE TEMPO SOLO : Pe max. = 13 bar)

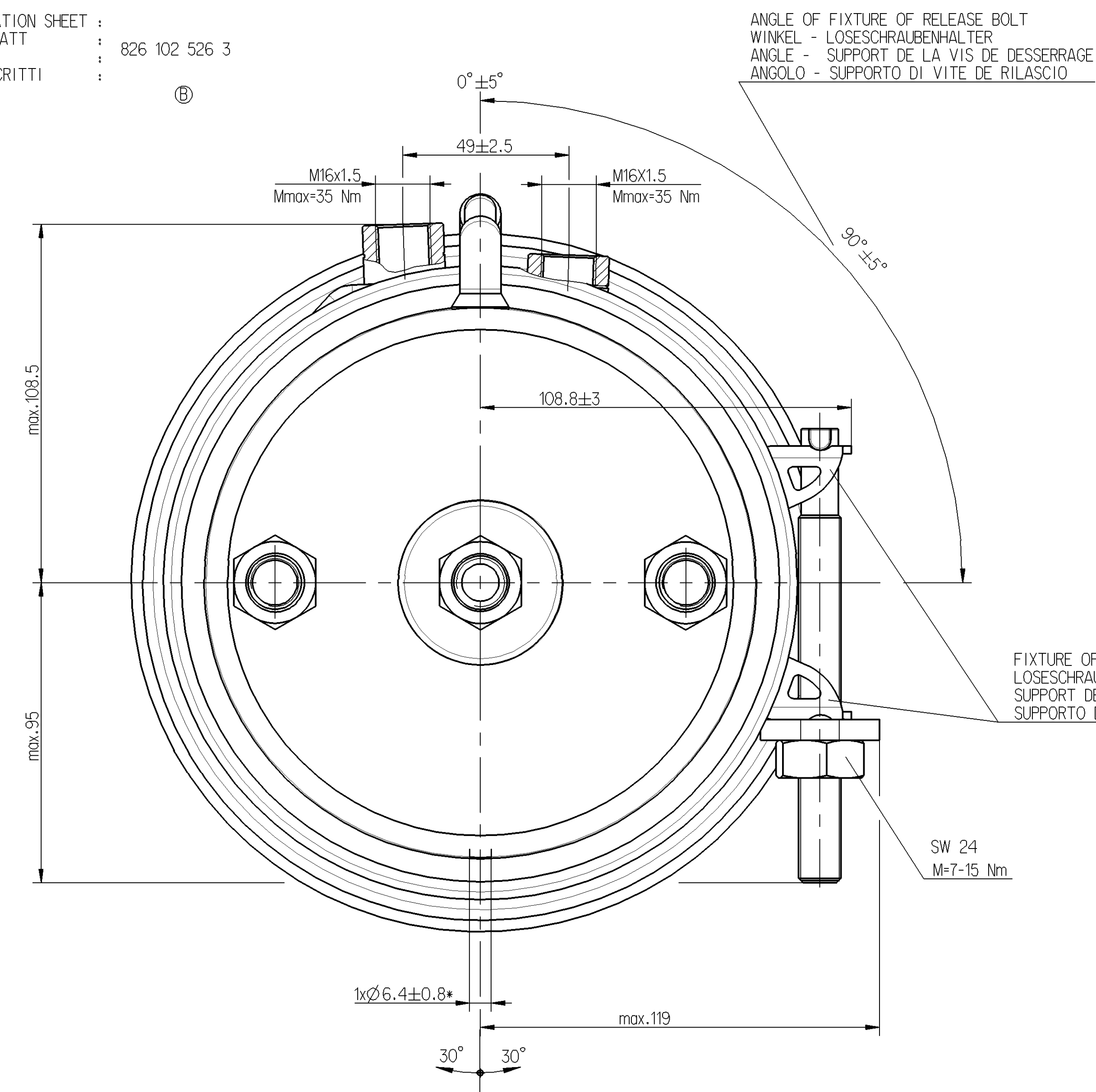
PORT : SPRING BRAKE CYLINDER, WORKING PRESSURE : Pe max. = 8.5 bar (TEMPORARILY : Pe max. = 11 bar)
 ANSCHLUSS : FEDERSPEICHERZYLINDER, BETRIEBSDRUCK : (KURZZEITIG : Pe max. = 11 bar)
 ORIFICE : CYLINDRE A RESSORT, PRESSION D'UTILISATION : (DE COURTE DUREE : Pe max. = 11 bar)
 ORIFIZIO : CILINDRO A MOLLA, PRESSIONE DI ESERCIZIO : (BREVE TEMPO SOLO : Pe max. = 11 bar)



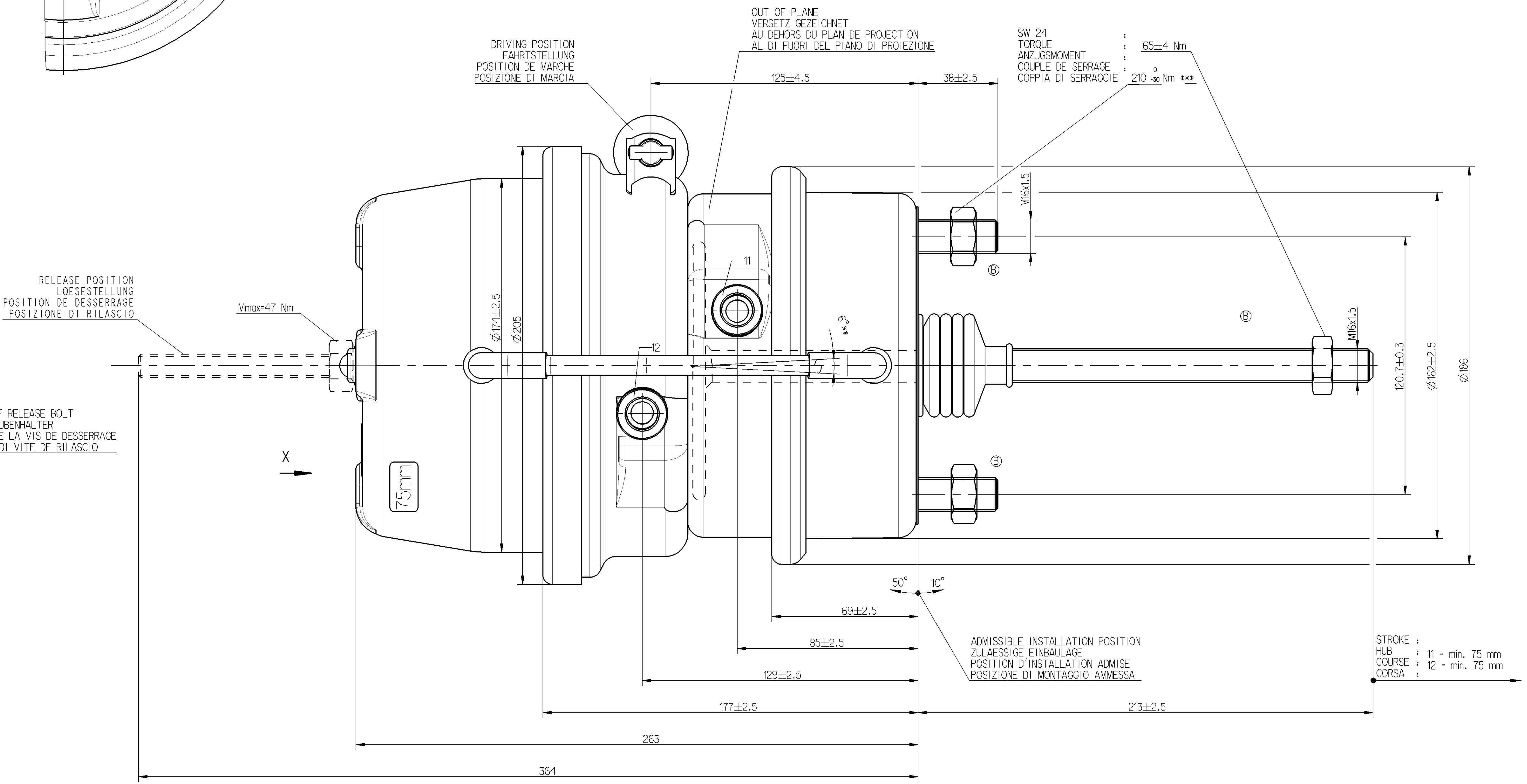
OPEN BREATHER HOLE
 OFFEN ATMUNGSBOHRUNG
 OUVERT TROU RENIFLEUR
 APERTO FORO RESPIRATORE

DEFLECTION : AT STROKE
 AUSLENKUNG : 6° BEI HUB 0 mm
 DEFLEXION : A COURSE
 DEVIATIONE : A CORSA

SEE TECHNICAL INFORMATION SHEET :
 SIEHE KONSTRUKTIONSLATT : 826 102 526 3
 VOIR NOTICE TECHNIQUE
 VEDERE FASCICOLO DESCRITTI



TO BE INSTALLED WITH LOWER BREATHER HOLE OPEN
 IM EINBAUZUSTAND UNTERE ATMUNGSBOHRUNG OFFEN
 A MONTER AVEC LE RENIFLARD INFERIEUR OUVERT
 INSTALLAZIONE CON IL FORO DI SFILATO INFERIORE APERTO



This technical drawing is the property of WABCO. It is not to be reproduced, copied, or disseminated in any form or by any means without the written consent of WABCO. WABCO is not responsible for any errors or omissions in this drawing.

DELIVERY
 ANLIEFERUNG
 LIVRAISON
 FORNITURA

RELEASE POSITION
 LOESESTELLUNG
 POSITION DE DESSERRAGE
 POSIZIONE DI RILASCIO

DRIVING POSITION
 FAHRTSTELLUNG
 POSITION DE MARCHE
 POSIZIONE DI MARCIA

General Specification: AED-334-0		Copyright: WABCO		WABCO	
Further Technical Data		Date: 2007-01-25		Signature: [Signature]	
Doc. Code: [Code]		Sheet: 1 of 1		Drawing Code: 925 376 104 0	
General Tolerances: ISO-201		2007-01-25		Sauberski	
Range of Nominal Dimensions (L ± mm)		2007-01-25		Sauberski	
Class 11 ± 50 - 180		Class 12 ± 180 - 400		Class 13 ± 400 - 1000	
Tolerance		Tolerance		Tolerance	
0.5 - 1.0 - 1.5 - 2.0		1.0 - 1.5 - 2.0 - 3.0 - 4.0		3.0 - 4.0 - 5.0 - 6.5	
Medium X		Coarse		Fine	
1.0 - 2.0 - 3.0 - 4.0 ± 0.1		2.0 - 3.5 - 5.0 - 6.5		0.1 - 0.2 - 0.3 - 0.4 - 0.5	
Trapped Hole acc. AED-100		Tolerance Class Applied: [Class]		Material: [Material]	
Size of Revision: [Size]		Scale: 1:1		Material: [Material]	
A 0		525		925 376 104 0	
Function Code: [Code]		Proc. Code: [Code]		Proc. Code: [Code]	
Proc. Code: [Code]		Proc. Code: [Code]		Proc. Code: [Code]	