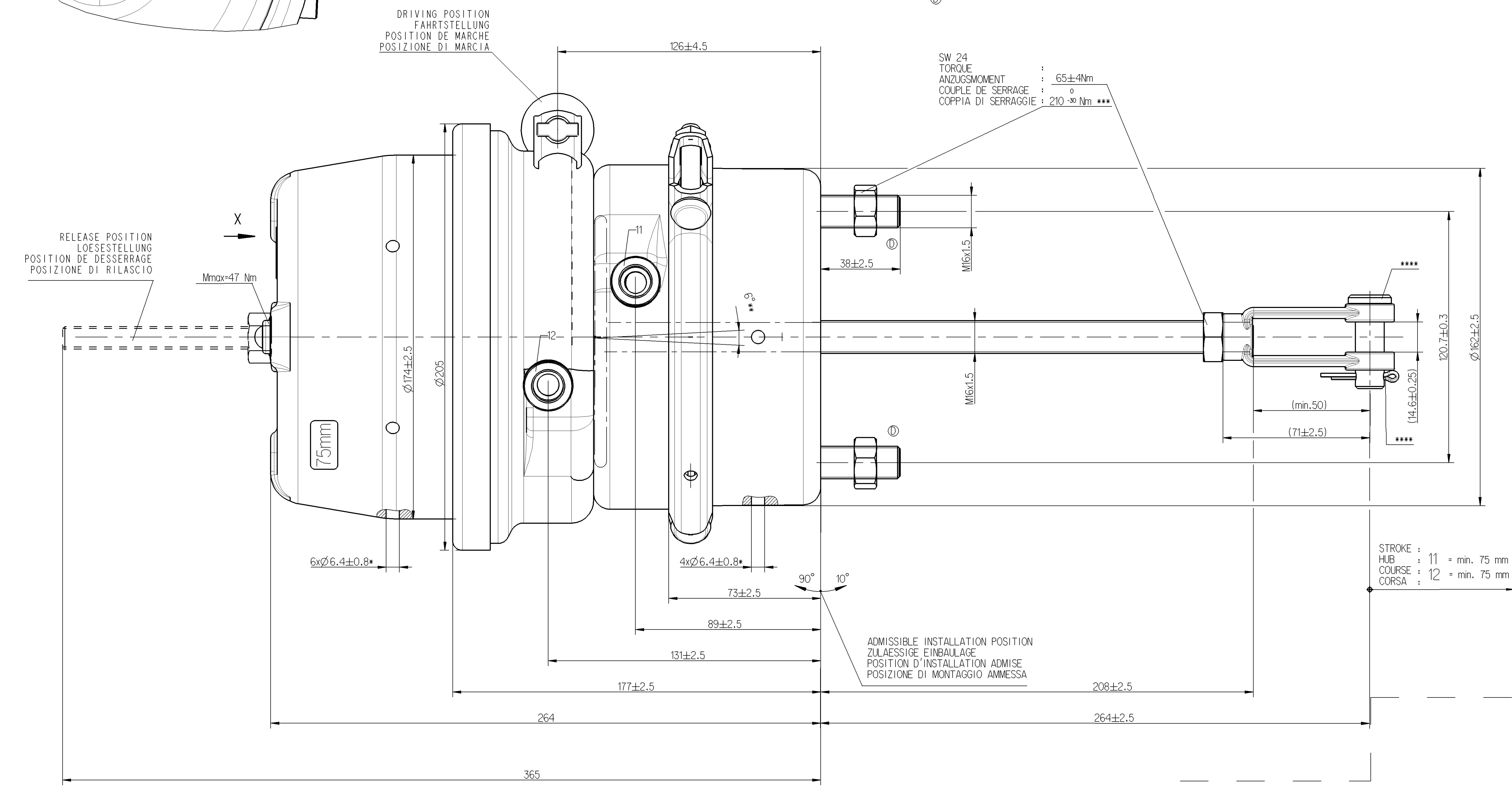
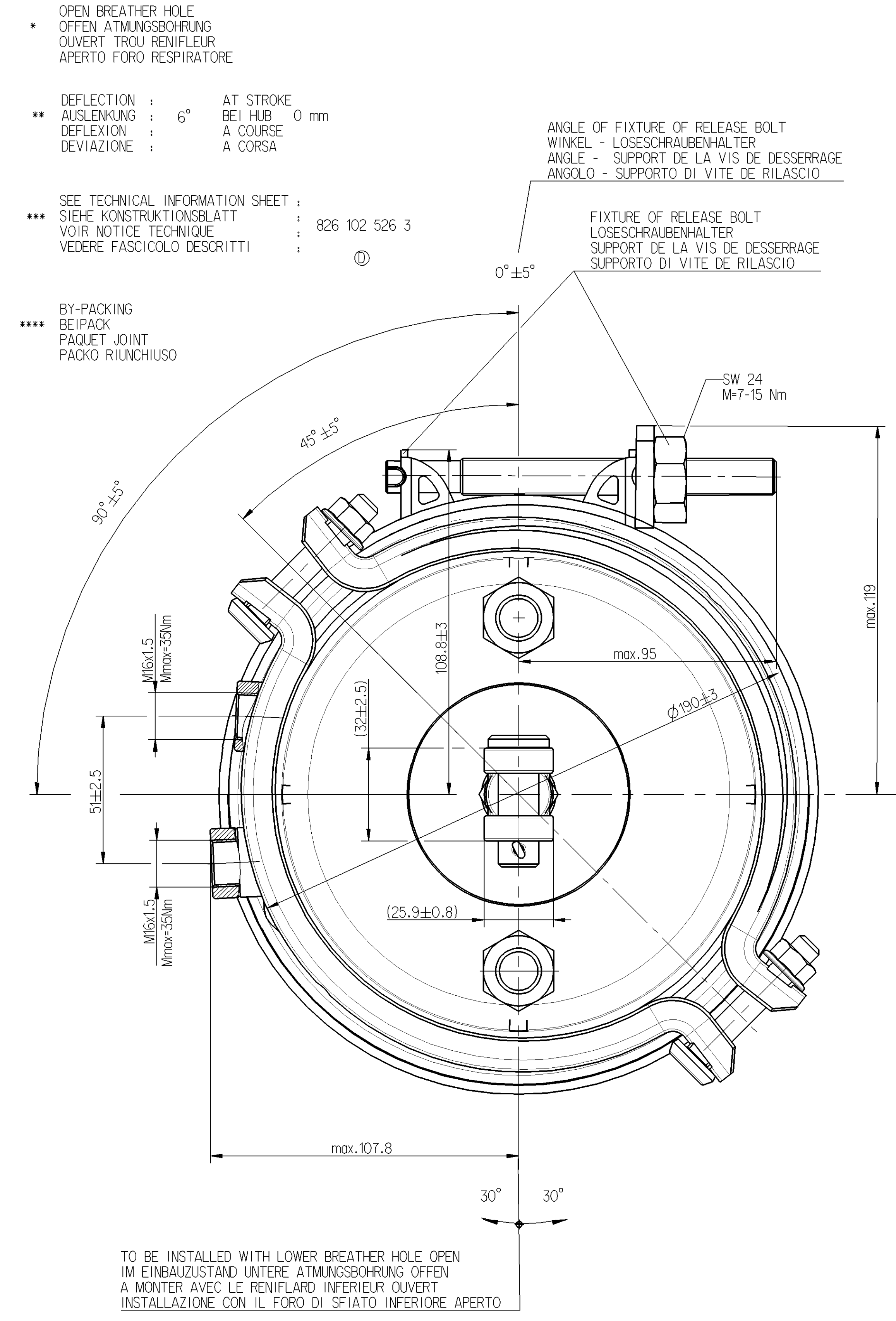
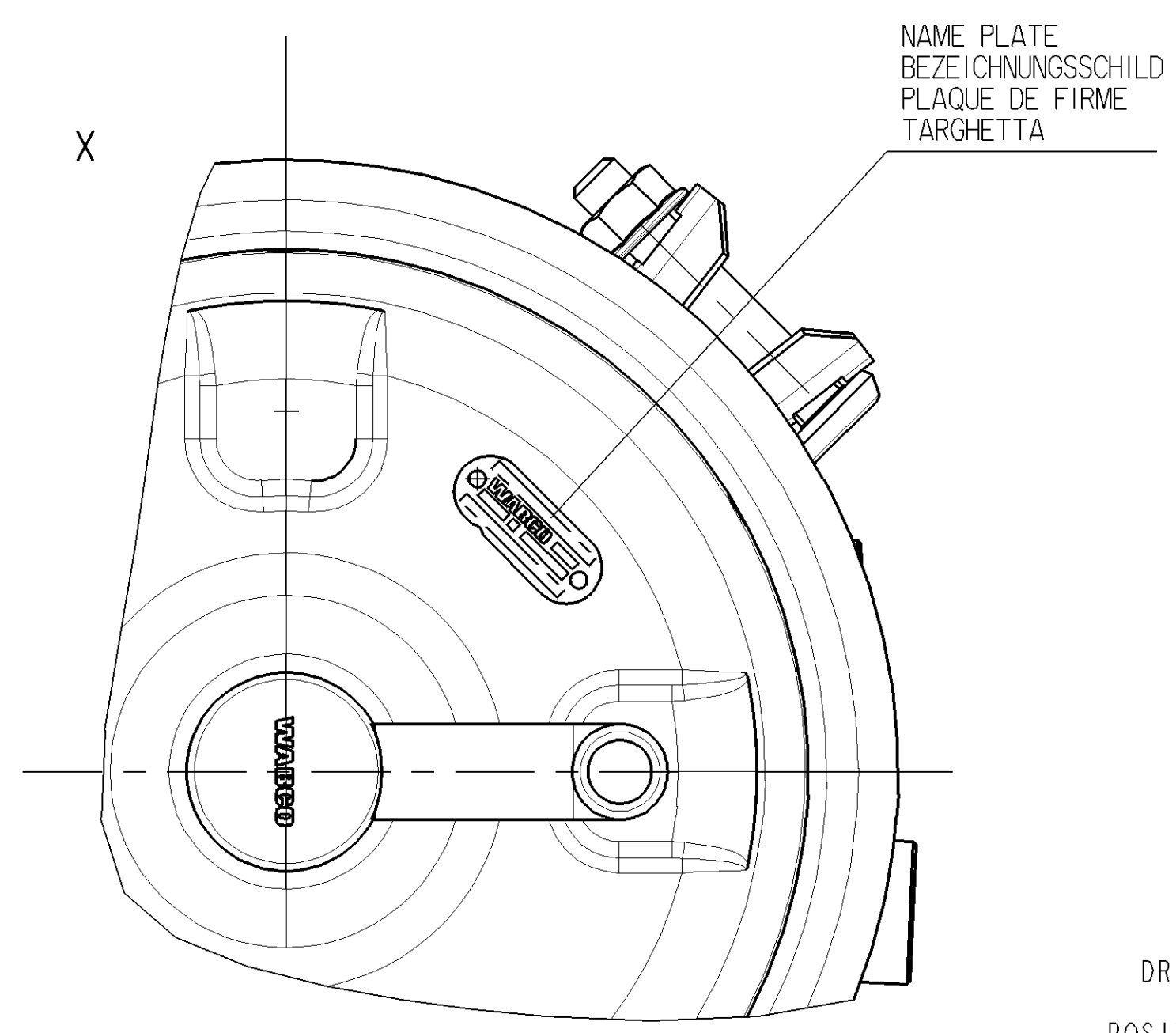


MEDIUM : AIR NOMINAL DIAMETER : MIN $\varnothing 7.0$ mm WIDTH ACROSS FLATS SW SCHLUSSELWEITE
 MEDIUM : LUFT DIAMETRE NOMINAL : SURPLATS
 FLUIDO : ARIA DIAMETRO NOMINALE : LAGHEZZA IN CHIAVE

THERMAL RANGE OF APPLICATION :
 THERMISCHER ANWENDUNGSBEREICH : -40°C...+80°C
 GAMME D'APPLICATION TERMIQUE :
 CAMPO DI APPLICAZIONE TERMICA :

PORT : SERVICE BRAKING SYSTEM, WORKING PRESSURE : Pe max. = 10.2 bar (TEMPORARILY : Pe max. = 13 bar)
 ANSCHLUSS : 11 BETRIEBSBREMSEANLAGE, BETRIEBSDRUCK (KURZZEITIG : Pe max. = 13 bar)
 ORIFICE : DISPOSITIF DE FREINAGE DE SERVICE, PRESSION D'UTILISATION (DE COURTE DUREE : Pe max. = 13 bar)
 ORIFIZIO : DISPOSITIVO DI FRENATURA DI SERVIZIO, PRESSIONE DI ESERCIZIO (BREVE TEMPO SOLO : Pe max. = 13 bar)

PORT : SPRING BRAKE CYLINDER, WORKING PRESSURE : Pe max. = 8.5 bar (TEMPORARILY : Pe max. = 11 bar)
 ANSCHLUSS : 12 FEDERSPEICHERZYLINDER, BETRIEBSDRUCK (KURZZEITIG : Pe max. = 11 bar)
 ORIFICE : CYLINDRE A RESSORT, PRESSION D'UTILISATION (DE COURTE DUREE : Pe max. = 11 bar)
 ORIFIZIO : CILINDRO A MOLLA, PRESSIONE DI ESERCIZIO (BREVE TEMPO SOLO : Pe max. = 11 bar)



DELIVERY
 ANLIEFERUNG
 LIVRAISON
 FORNITURA

RELEASE POSITION
 LOESESTELLUNG
 POSITION DE DESSERRAGE
 POSIZIONE DI RILASCIO

DRIVING POSITION
 FAHRTSTELLUNG
 POSITION DE MARCHÉ
 POSIZIONE DI MARCIA

General Specification: JED-334-D		Copyright WABCO *		WABCO	
Further Technical Data		Date		Structure	
Doc. Code		2007-01-23		Dobruski	
General Tolerances (ISO 201)		2007-01-29		Saborski	
Range of Nominal Dimensions (s mm)		10.3		1/1	
Class II ± 0.10 ± 0.15 ± 0.20 ± 0.30 ± 0.40		10.3		1/1	
Class III ± 0.15 ± 0.20 ± 0.30 ± 0.40 ± 0.50		10.3		1/1	
Class IV ± 0.20 ± 0.30 ± 0.40 ± 0.50 ± 0.60		10.3		1/1	
Class V ± 0.30 ± 0.40 ± 0.50 ± 0.60 ± 0.70		10.3		1/1	
Class VI ± 0.40 ± 0.50 ± 0.60 ± 0.70 ± 0.80		10.3		1/1	
Class VII ± 0.50 ± 0.60 ± 0.70 ± 0.80 ± 0.90		10.3		1/1	
Class VIII ± 0.60 ± 0.70 ± 0.80 ± 0.90 ± 1.00		10.3		1/1	
Class IX ± 0.70 ± 0.80 ± 0.90 ± 1.00 ± 1.10		10.3		1/1	
Class X ± 0.80 ± 0.90 ± 1.00 ± 1.10 ± 1.20		10.3		1/1	
Class XI ± 0.90 ± 1.00 ± 1.10 ± 1.20 ± 1.30		10.3		1/1	
Class XII ± 1.00 ± 1.10 ± 1.20 ± 1.30 ± 1.40		10.3		1/1	
Class XIII ± 1.10 ± 1.20 ± 1.30 ± 1.40 ± 1.50		10.3		1/1	
Class XIV ± 1.20 ± 1.30 ± 1.40 ± 1.50 ± 1.60		10.3		1/1	
Class XV ± 1.30 ± 1.40 ± 1.50 ± 1.60 ± 1.70		10.3		1/1	
Class XVI ± 1.40 ± 1.50 ± 1.60 ± 1.70 ± 1.80		10.3		1/1	
Class XVII ± 1.50 ± 1.60 ± 1.70 ± 1.80 ± 1.90		10.3		1/1	
Class XVIII ± 1.60 ± 1.70 ± 1.80 ± 1.90 ± 2.00		10.3		1/1	
Class XIX ± 1.70 ± 1.80 ± 1.90 ± 2.00 ± 2.10		10.3		1/1	
Class XX ± 1.80 ± 1.90 ± 2.00 ± 2.10 ± 2.20		10.3		1/1	
Class XXI ± 1.90 ± 2.00 ± 2.10 ± 2.20 ± 2.30		10.3		1/1	
Class XXII ± 2.00 ± 2.10 ± 2.20 ± 2.30 ± 2.40		10.3		1/1	
Class XXIII ± 2.10 ± 2.20 ± 2.30 ± 2.40 ± 2.50		10.3		1/1	
Class XXIV ± 2.20 ± 2.30 ± 2.40 ± 2.50 ± 2.60		10.3		1/1	
Class XXV ± 2.30 ± 2.40 ± 2.50 ± 2.60 ± 2.70		10.3		1/1	
Class XXVI ± 2.40 ± 2.50 ± 2.60 ± 2.70 ± 2.80		10.3		1/1	
Class XXVII ± 2.50 ± 2.60 ± 2.70 ± 2.80 ± 2.90		10.3		1/1	
Class XXVIII ± 2.60 ± 2.70 ± 2.80 ± 2.90 ± 3.00		10.3		1/1	
Class XXIX ± 2.70 ± 2.80 ± 2.90 ± 3.00 ± 3.10		10.3		1/1	
Class XXX ± 2.80 ± 2.90 ± 3.00 ± 3.10 ± 3.20		10.3		1/1	
Class XXXI ± 2.90 ± 3.00 ± 3.10 ± 3.20 ± 3.30		10.3		1/1	
Class XXXII ± 3.00 ± 3.10 ± 3.20 ± 3.30 ± 3.40		10.3		1/1	
Class XXXIII ± 3.10 ± 3.20 ± 3.30 ± 3.40 ± 3.50		10.3		1/1	
Class XXXIV ± 3.20 ± 3.30 ± 3.40 ± 3.50 ± 3.60		10.3		1/1	
Class XXXV ± 3.30 ± 3.40 ± 3.50 ± 3.60 ± 3.70		10.3		1/1	
Class XXXVI ± 3.40 ± 3.50 ± 3.60 ± 3.70 ± 3.80		10.3		1/1	
Class XXXVII ± 3.50 ± 3.60 ± 3.70 ± 3.80 ± 3.90		10.3		1/1	
Class XXXVIII ± 3.60 ± 3.70 ± 3.80 ± 3.90 ± 4.00		10.3		1/1	
Class XXXIX ± 3.70 ± 3.80 ± 3.90 ± 4.00 ± 4.10		10.3		1/1	
Class XL ± 3.80 ± 3.90 ± 4.00 ± 4.10 ± 4.20		10.3		1/1	
Class XLI ± 3.90 ± 4.00 ± 4.10 ± 4.20 ± 4.30		10.3		1/1	
Class XLII ± 4.00 ± 4.10 ± 4.20 ± 4.30 ± 4.40		10.3		1/1	
Class XLIII ± 4.10 ± 4.20 ± 4.30 ± 4.40 ± 4.50		10.3		1/1	
Class XLIV ± 4.20 ± 4.30 ± 4.40 ± 4.50 ± 4.60		10.3		1/1	
Class XLV ± 4.30 ± 4.40 ± 4.50 ± 4.60 ± 4.70		10.3		1/1	
Class XLVI ± 4.40 ± 4.50 ± 4.60 ± 4.70 ± 4.80		10.3		1/1	
Class XLVII ± 4.50 ± 4.60 ± 4.70 ± 4.80 ± 4.90		10.3		1/1	
Class XLVIII ± 4.60 ± 4.70 ± 4.80 ± 4.90 ± 5.00		10.3		1/1	
Class XLIX ± 4.70 ± 4.80 ± 4.90 ± 5.00 ± 5.10		10.3		1/1	
Class L ± 4.80 ± 4.90 ± 5.00 ± 5.10 ± 5.20		10.3		1/1	
Class LI ± 4.90 ± 5.00 ± 5.10 ± 5.20 ± 5.30		10.3		1/1	
Class LII ± 5.00 ± 5.10 ± 5.20 ± 5.30 ± 5.40		10.3		1/1	
Class LIII ± 5.10 ± 5.20 ± 5.30 ± 5.40 ± 5.50		10.3		1/1	
Class LIV ± 5.20 ± 5.30 ± 5.40 ± 5.50 ± 5.60		10.3		1/1	
Class LV ± 5.30 ± 5.40 ± 5.50 ± 5.60 ± 5.70		10.3		1/1	
Class LVI ± 5.40 ± 5.50 ± 5.60 ± 5.70 ± 5.80		10.3		1/1	
Class LVII ± 5.50 ± 5.60 ± 5.70 ± 5.80 ± 5.90		10.3		1/1	
Class LVIII ± 5.60 ± 5.70 ± 5.80 ± 5.90 ± 6.00		10.3		1/1	
Class LVIX ± 5.70 ± 5.80 ± 5.90 ± 6.00 ± 6.10		10.3		1/1	
Class LX ± 5.80 ± 5.90 ± 6.00 ± 6.10 ± 6.20		10.3		1/1	
Class LXI ± 5.90 ± 6.00 ± 6.10 ± 6.20 ± 6.30		10.3		1/1	
Class LXII ± 6.00 ± 6.10 ± 6.20 ± 6.30 ± 6.40		10.3		1/1	
Class LXIII ± 6.10 ± 6.20 ± 6.30 ± 6.40 ± 6.50		10.3		1/1	
Class LXIV ± 6.20 ± 6.30 ± 6.40 ± 6.50 ± 6.60		10.3		1/1	
Class LXV ± 6.30 ± 6.40 ± 6.50 ± 6.60 ± 6.70		10.3		1/1	
Class LXVI ± 6.40 ± 6.50 ± 6.60 ± 6.70 ± 6.80		10.3		1/1	
Class LXVII ± 6.50 ± 6.60 ± 6.70 ± 6.80 ± 6.90		10.3		1/1	
Class LXVIII ± 6.60 ± 6.70 ± 6.80 ± 6.90 ± 7.00		10.3		1/1	
Class LXIX ± 6.70 ± 6.80 ± 6.90 ± 7.00 ± 7.10		10.3		1/1	
Class LXX ± 6.80 ± 6.90 ± 7.00 ± 7.10 ± 7.20		10.3		1/1	
Class LXXI ± 6.90 ± 7.00 ± 7.10 ± 7.20 ± 7.30		10.3		1/1	
Class LXXII ± 7.00 ± 7.10 ± 7.20 ± 7.30 ± 7.40		10.3		1/1	
Class LXXIII ± 7.10 ± 7.20 ± 7.30 ± 7.40 ± 7.50		10.3		1/1	
Class LXXIV ± 7.20 ± 7.30 ± 7.40 ± 7.50 ± 7.60		10.3		1/1	
Class LXXV ± 7.30 ± 7.40 ± 7.50 ± 7.60 ± 7.70		10.3		1/1	
Class LXXVI ± 7.40 ± 7.50 ± 7.60 ± 7.70 ± 7.80		10.3		1/1	
Class LXXVII ± 7.50 ± 7.60 ± 7.70 ± 7.80 ± 7.90		10.3		1/1	
Class LXXVIII ± 7.60 ± 7.70 ± 7.80 ± 7.90 ± 8.00		10.3		1/1	
Class LXXIX ± 7.70 ± 7.80 ± 7.90 ± 8.00 ± 8.10		10.3		1/1	
Class LXXX ± 7.80 ± 7.90 ± 8.00 ± 8.10 ± 8.20		10.3		1/1	
Class LXXXI ± 7.90 ± 8.00 ± 8.10 ± 8.20 ± 8.30		10.3		1/1	
Class LXXXII ± 8.00 ± 8.10 ± 8.20 ± 8.30 ± 8.40		10.3		1/1	
Class LXXXIII ± 8.10 ± 8.20 ± 8.30 ± 8.40 ± 8.50		10.3		1/1	
Class LXXXIV ± 8.20 ± 8.30 ± 8.40 ± 8.50 ± 8.60		10.3		1/1	
Class LXXXV ± 8.30 ± 8.40 ± 8.50 ± 8.60 ± 8.70		10.3		1/1	
Class LXXXVI ± 8.40 ± 8.50 ± 8.60 ± 8.70 ± 8.80		10.3		1/1	
Class LXXXVII ± 8.50 ± 8.60 ± 8.70 ± 8.80 ± 8.90		10.3		1/1	
Class LXXXVIII ± 8.60 ± 8.70 ± 8.80 ± 8.90 ± 9.00		10.3		1/1	
Class LXXXIX ± 8.70 ± 8.80 ± 8.90 ± 9.00 ± 9.10		10.3		1/1	
Class LXXXX ± 8.80 ± 8.90 ± 9.00 ± 9.10 ± 9.20		10.3		1/1	
Class LXXXXI ± 8.90 ± 9.00 ± 9.10 ± 9.20 ± 9.30		10.3		1/1	
Class LXXXXII ± 9.00 ± 9.10 ± 9.20 ± 9.30 ± 9.40		10.3		1/1	
Class LXXXXIII ± 9.10 ± 9.20 ± 9.30 ± 9.40 ± 9.50		10.3		1/1	
Class LXXXXIV ± 9.20 ± 9.30 ± 9.40 ± 9.50 ± 9.60		10.3		1/1	
Class LXXXXV ± 9.30 ± 9.40 ± 9.50 ± 9.60 ± 9.70		10.3		1/1	
Class LXXXXVI ± 9.40 ± 9.50 ± 9.60 ± 9.70 ± 9.80		10.3		1/1	
Class LXXXXVII ± 9.50 ± 9.60 ± 9.70 ± 9.80 ± 9.90		10.3		1/1	
Class LXXXXVIII ± 9.60 ± 9.70 ± 9.80 ± 9.90 ± 10.00		10.3		1/1	
Class LXXXXIX ± 9.70 ± 9.80 ± 9.90 ± 10.00 ± 10.10		10.3		1/1	
Class LXXXXX ± 9.80 ± 9.90 ± 10.00 ± 10.10 ± 10.20		10.3		1/1	
Class LXXXXXI ± 9.90 ± 10.00 ± 10.10 ± 10.20 ± 10.30		10.3		1/1	
Class LXXXXXII ± 10.00 ± 10.10 ± 10.20 ± 10.30 ± 10.40		10.3		1/1	
Class LXXXXXIII ± 10.10 ± 10.20 ± 10.30 ± 10.40 ± 10.50		10.3		1/1	
Class LXXXXXIV ± 10.20 ± 10.30 ± 10.40 ± 10.50 ± 10.60		10.3		1/1	
Class LXXXXXV ± 10.30 ± 10.40 ± 10.50 ± 10.60 ± 10.70		10.3		1/1	
Class LXXXXXVI ± 10.40 ± 10.50 ± 10.60 ± 10.70 ± 10.80		10.3		1/1	
Class LXXXXXVII ± 10.50 ± 10.60 ± 10.70 ± 10.80 ± 10.90		10.3		1/1	
Class LXXXXXVIII ± 10.60 ± 10.70 ± 10.80 ± 10.90 ± 11.00		10.3		1/1	
Class LXXXXXIX ± 10.70 ± 10.80 ± 10.90 ± 11.00 ± 11.10		10.3		1/1	
Class LXXXXXX ± 10.80 ± 10.90 ± 11.00 ± 11.10 ± 11.20		10.3		1/1	
Class LXXXXXXI ± 10.90 ± 11.00 ± 11.10 ± 11.20 ± 11.30		10.3		1/1	
Class LXXXXXXII ± 11.00 ± 11.10 ± 11.20 ± 11.30 ± 11.40		10.3		1/1	
Class LXXXXXXIII ± 11.10 ± 11.20 ± 11.30 ± 11.40 ± 11.50		10.3		1/1	
Class LXXXXXXIV ± 11.20 ± 11.30 ± 11.40 ± 11.50 ± 11.60		10.3		1/1	
Class LXXXXXXV ± 11.30 ± 11.40 ± 11.50 ± 11.60 ± 11.70		10.3		1/1	
Class LXXXXXXVI ± 11.40 ± 11.50 ± 11.60 ± 11.70 ± 11.80		10.3		1/1	
Class LXXXXXXVII ± 11.50 ± 11.60 ± 11.70 ± 11.80 ± 11.90		10.3		1/1	
Class LXXXXXXVIII ± 11.60 ± 11.70 ± 11.80 ± 11.90 ± 12.00		10.3		1/1	
Class LXXXXXXIX ± 11.70 ± 11.80 ± 11.90 ± 12.00 ± 12.10		10.3		1/1	
Class LXXXXXXX ± 11.80 ± 11.90 ± 12.00 ± 12.10 ± 12.20		10.3		1/1	
Class LXXXXXXXI ± 11.90 ± 12.00 ± 12.10 ± 12.20 ± 12.30		10.3		1/1	
Class LXXXXXXXII ± 12.00 ± 12.10 ± 12.20 ± 12.30 ± 12.40		10.3		1/1	
Class LXXXXXXXIII ± 12.10 ± 12.20 ± 12.30 ± 12.40 ± 12.50		10.3		1/1	
Class LXXXXXXXIV ± 12.20 ± 12.30 ± 12.40 ± 12.50 ± 12.60		10.3		1/1	
Class LXXXXXXXV ± 12.30 ± 12.40 ± 12.50 ± 12.60 ± 12.70		10.3		1/1	
Class LXXXXXXXVI ± 12.40 ± 12.50 ± 12.60 ± 12.70 ± 12.80		10.3		1/1	
Class LXXXXXXXVII ± 12.50 ± 12.60 ± 12.70 ± 12.80 ± 12.90		10.3		1/1	
Class LXXXXXXXVIII ± 12.60 ± 12.70 ± 12.80 ± 12.90 ± 13.00		10.3		1/1	
Class LXXXXXXXIX ± 12.70 ± 12.80 ± 12.90 ± 13.00 ± 13.10		10.3		1/1	
Class LXXXXXXXX ± 12.80 ± 12.90 ± 13.00 ± 13.10 ± 13.20		10.3		1/1	
Class LXXXXXXXXI ± 12.90 ± 13.00 ± 13.10 ± 13.20 ± 13.30		10.3		1/1	
Class LXXXXXXXII ± 13.00 ± 13.10 ± 13					