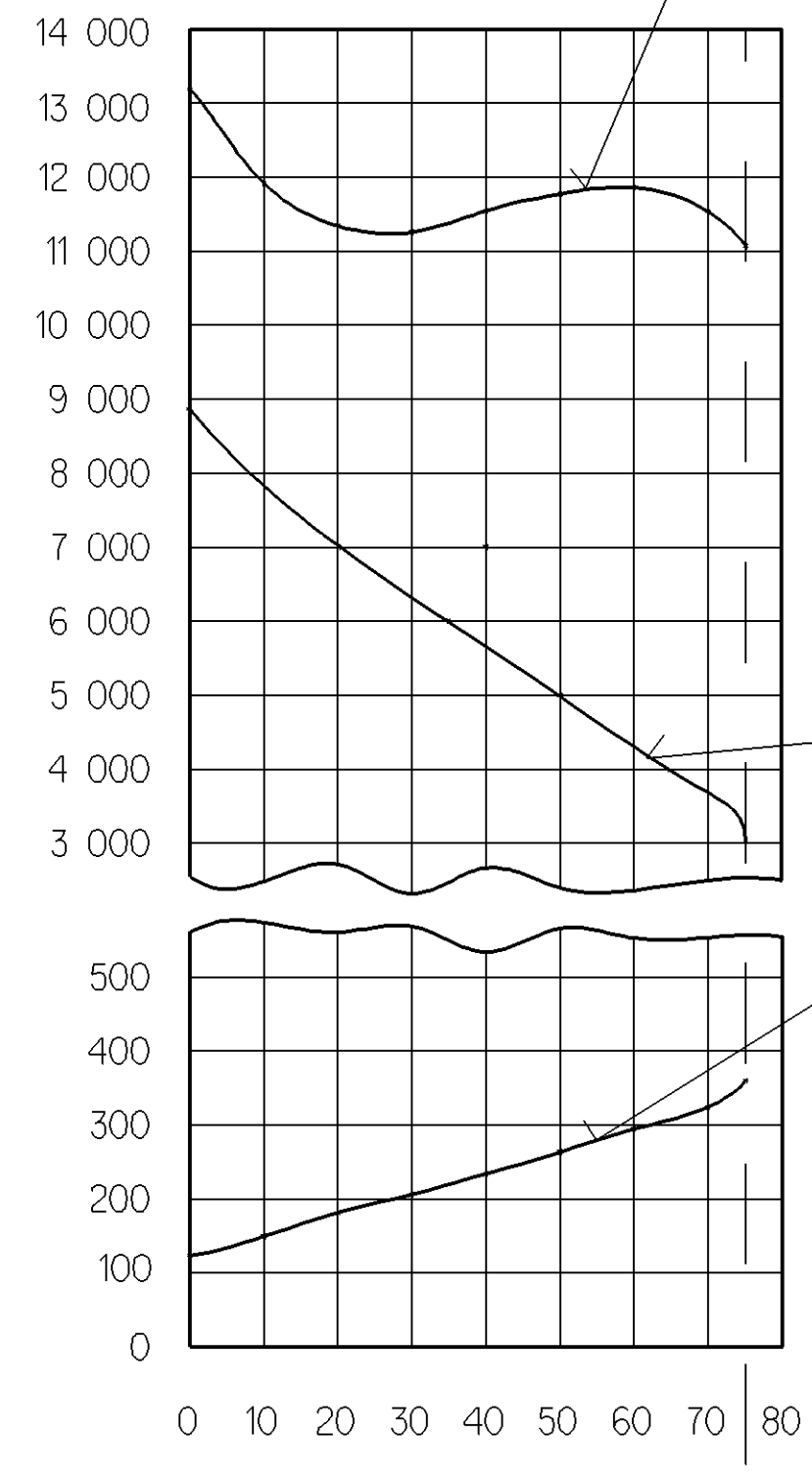


FORCE :  
KRAFT : N  
FORCE :  
FORZA :



AIR VOLUME OF SERVICE BRAKE PART AT 2/3 OF ITS STROKE  
HUBVOLUMEN DES BETRIEBSBREMSTEILES BEI 2/3 HUB  
VOLUME D'AIR DU DISPOSITIF DU FREIN DE SERVICE A 2/3 DE LA COURSE  
VOLUME D'ARIA DELLA SEZIONE A MOLLA : ca. 1.32x10<sup>3</sup> cm<sup>3</sup>

AIR VOLUME OF SPRING BRAKE PART  
HUBVOLUMEN DES FEDERSPEICHERS  
VOLUME D'AIR DU DISPOSITIF RESSORT  
VOLUME D'ARIA DELLA SEZIONE A MOLLA : ca. 2.12x10<sup>3</sup> cm<sup>3</sup>

OUTPUT FORCE OF SERVICE BRAKE PART AT  
KRAFTABGABE DES BETRIEBSBREMSTEILES BEI  
EFFORT DE POUSSEE DU DISPOSITIF DU FREIN DE SERVICE SOUS  
FORZA DI SPINIA DELLA SEZIONE DI FRENO DI SERVIZIO PER : pe 4.7 ±0.3 bar

OUTPUT FORCE OF SPRING BRAKE PART, RELEASE PRESSURE  
KRAFTABGABE DES FEDERSPEICHERS, LOESEDRUCK  
EFFORT DE POUSSEE DU DISPOSITIF RESSORT, PRESSION DE DESSERRAGE  
FORZA DI SPINIA DELLA SEZIONE A MOLLA, PRESSIONE DI RILASCIO

FORCE OF RETURN SPRING OF SERVICE BRAKE PART  
RUECKSTELTKRAFT DES BETRIEBSBREMSTEILES  
EFFORT DU RESSORT DE RAPPEL DU DISPOSITIF DU FREIN DE SERVICE  
FORZA DELLA MOLLA DI RITORNO DELLA SEZIONE DI FRENO DI SERVIZIO

STROKE :  
HUB : mm  
COURSE :  
CORSO :

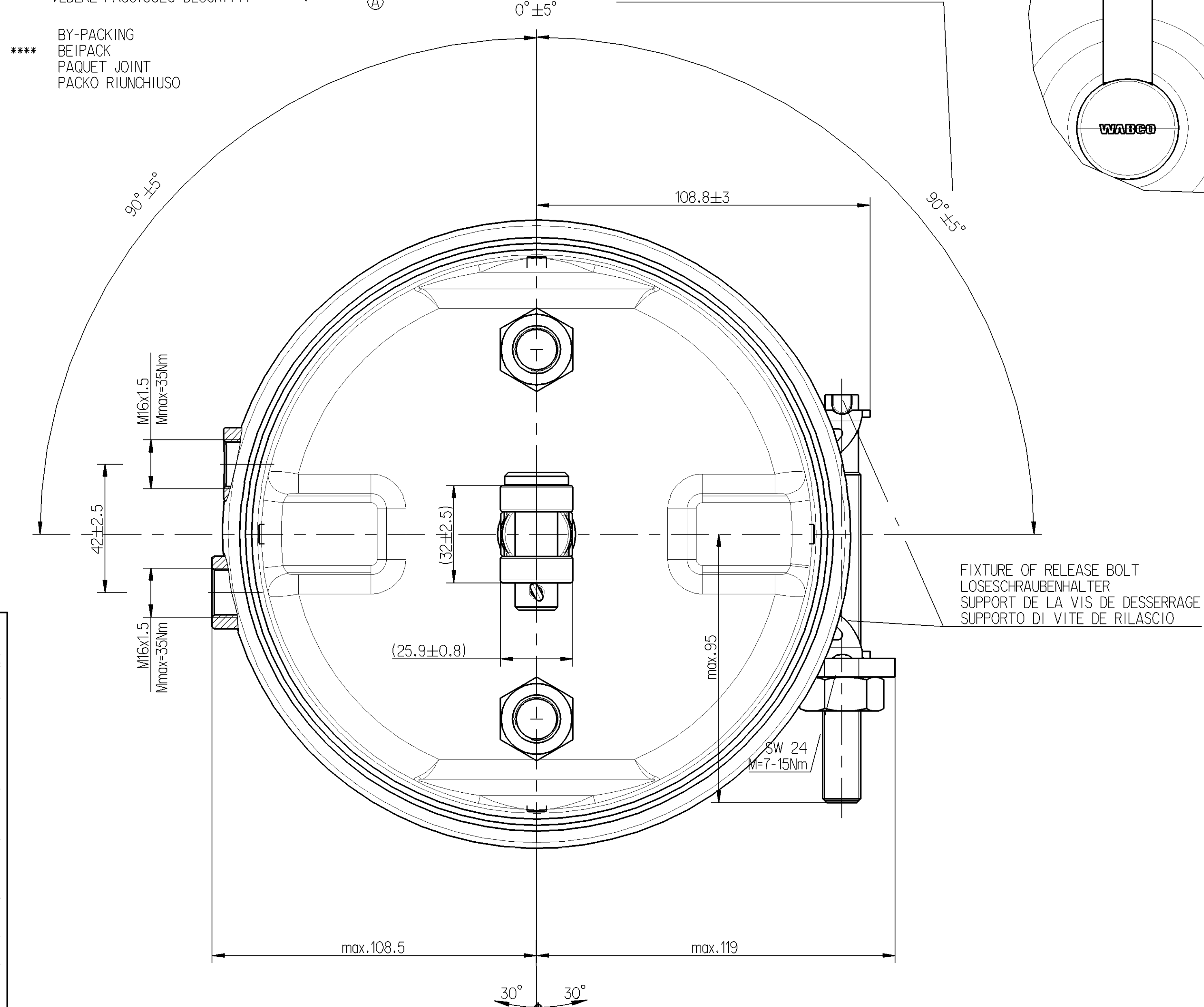
OPEN BREATHER HOLE  
OFFEN ATMUNGSSOHLUNG  
OUVERT TROU RENIFLEUR  
APERTO FORO RESPIRATORE

DEFLECTION : AT STROKE  
AUSLENKUNG : 6° BEI HUB 0 mm  
DEFLEXION : A COURSE  
DEVIATION : A CORSA

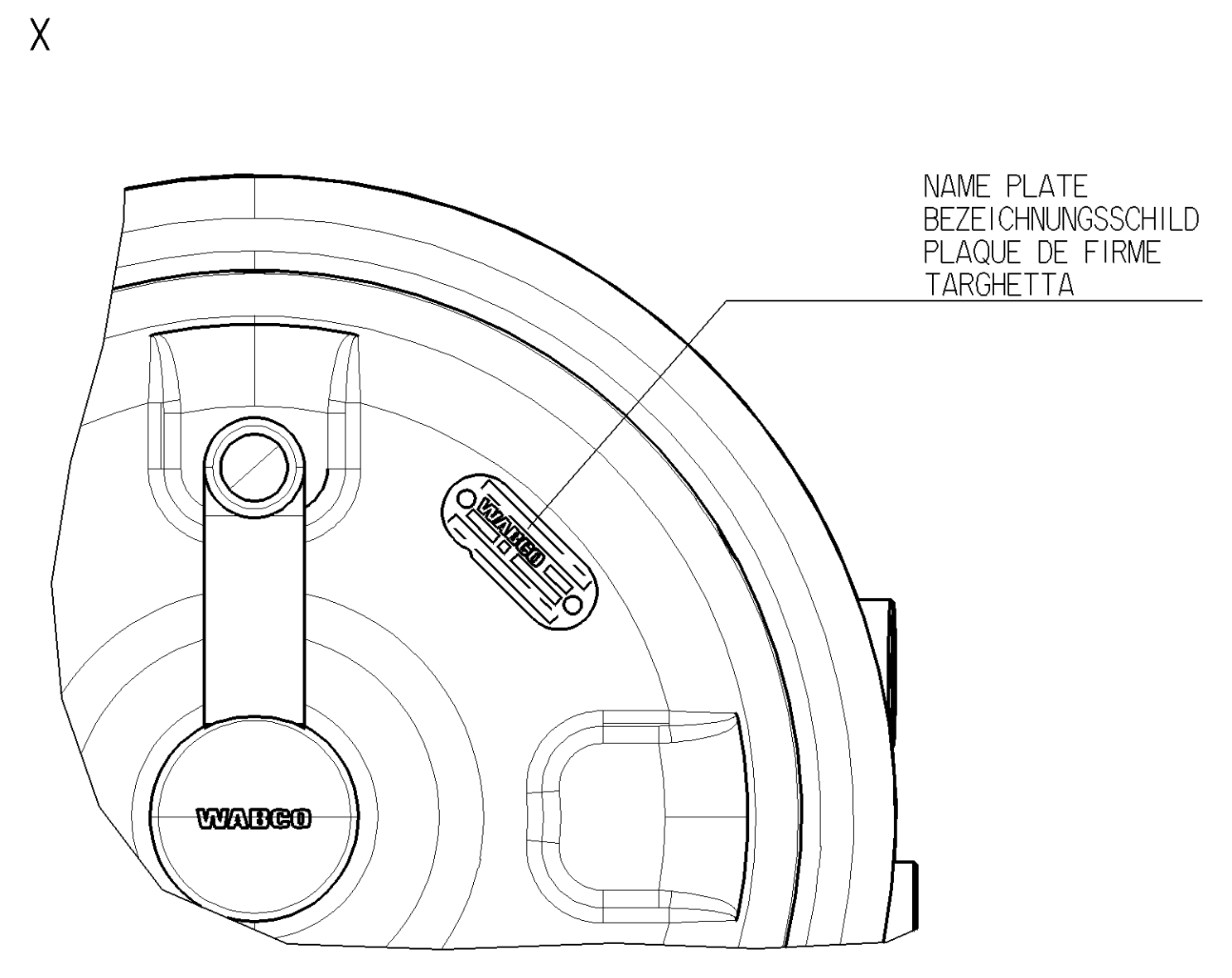
SEE TECHNICAL INFORMATION SHEET :  
SIEHE KONSTRUKTIONSLATT : 826 102 526 3  
VOIR NOTICE TECHNIQUE  
VEDERE FASCICOLO DESCRITTI : (A)

BY-PACKING  
BEIPACK  
PAQUET JOINT  
PACKO RIUNCHIUSO

ANGLE OF FIXTURE OF RELEASE BOLT  
WINKEL - LOESCHRAUBENHALTER  
ANGLE - SUPPORT DE LA VIS DE DESSERRAGE  
ANGOLO - SUPPORTO DI VITE DI RILASCIO

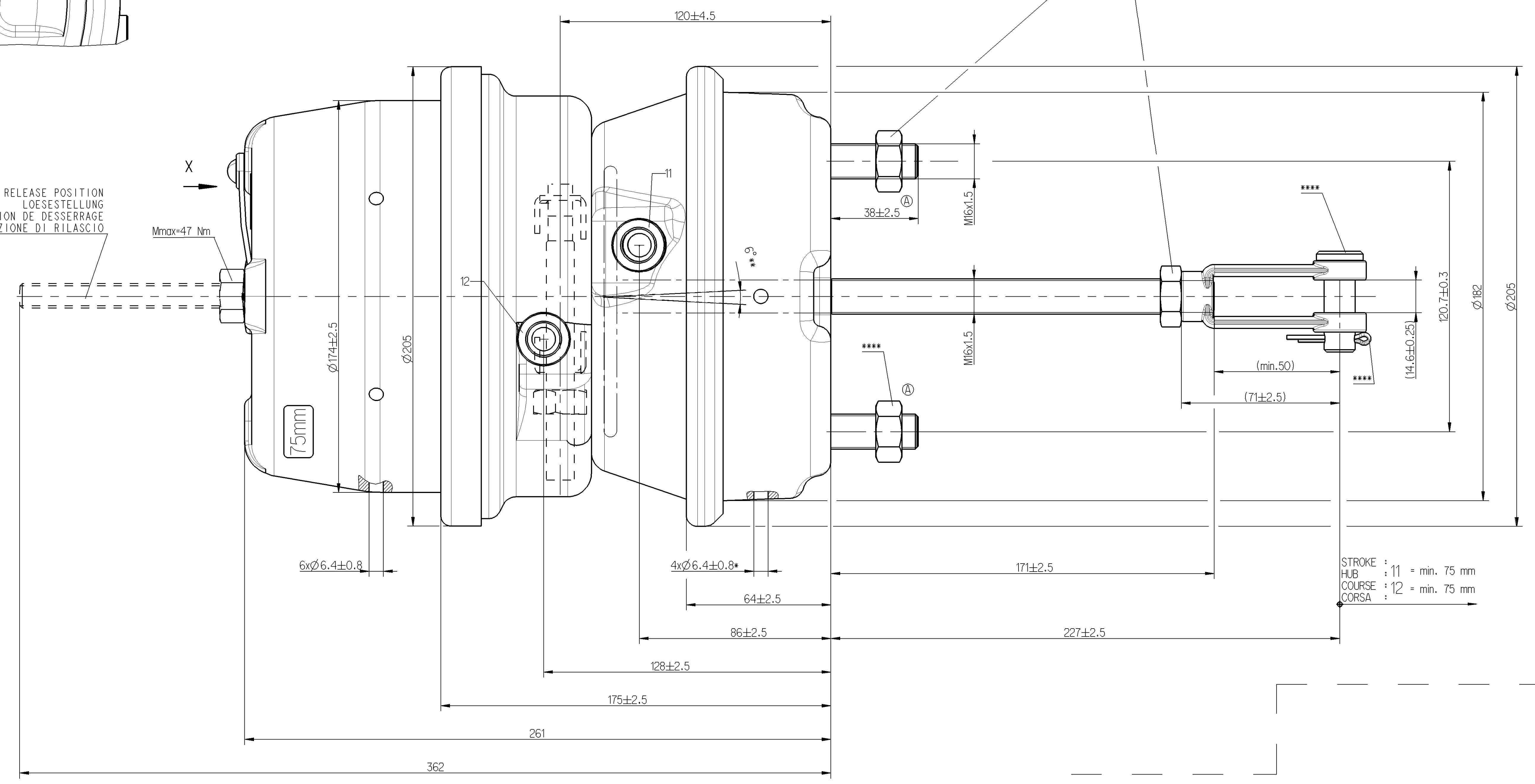


FIXTURE OF RELEASE BOLT  
LOESCHRAUBENHALTER  
SUPPORT DE LA VIS DE DESSERRAGE  
SUPPORTO DI VITE DI RILASCIO

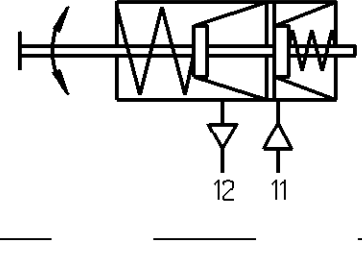


RELEASE POSITION  
LOESESTELLUNG  
POSITION DE DESSERRAGE  
POSIZIONE DI RILASCIO

Mmax=47 Nm



STROKE :  
HUB : 11 = min. 75 mm  
COURSE :  
CORSO : 12 = min. 75 mm



TO BE INSTALLED WITH LOWER BREATHER HOLE OPEN  
IM EINBAUZUSTAND UNTERE ATMUNGSSOHLUNG OFFEN  
A MONTER AVEC LE RENIFLARD INFERIEUR OUVERT  
INSTALLAZIONE CON IL FORO DI SFIATO INFERIORE APERTO

DELIVERY ANLIEFERUNG LIVRAISON FORNITURA  
RELEASE POSITION LOESESTELLUNG POSITION DE DESSERRAGE POSIZIONE DI RILASCIO  
DRIVING POSITION FAHRTSTELLUNG POSITION DE MARCHE POSIZIONE DI MARCIA

MEDIUM : AIR NOMINAL DIAMETER : MIN Ø7.0 mm WIDTH ACROSS FLATS SW SCHLÜSSELWEITE SURPLATS LAGHEZZA IN CHIAVE  
MEDIUM : LUFT NEINWEITE :  
FLUIDE : AIR DIAMETRE NOMINAL :  
FLUIDO : ARIA DIAMETRO NOMINALE :

THERMAL RANGE OF APPLICATION :  
THERMISCHER ANWENDUNGSBEREICH : -40°C...+80°C  
BAMME D'APPLICATION TERMIQUE :  
CAMPO DI APPLICAZIONE TERMICA :

PORT : SERVICE BRAKING SYSTEM, WORKING PRESSURE : Pe max. = 10.2 bar (TEMPORARILY : Pe max. = 13 bar)  
ANSCHLUSS : 11 BETRIEBSBREMSEANLAGE, BETRIEBSDRUCK (KURZZEITIG :  
ORIFICE : DISPOSITIF DE FREINAGE DE SERVICE, PRESSION D'UTILISATION : (DE COURTE DUREE :  
ORIFIZIO : DISPOSITIVO DI FRENATURA DI SERVIZIO, PRESSIONE DI ESERCIZIO : (BREVE TEMPO SOLO :

PORT : SPRING BRAKE CYLINDER, WORKING PRESSURE : Pe max. = 8.5 bar (TEMPORARILY : Pe max. = 11 bar)  
ANSCHLUSS : 12 FEDERSPEICHERZYLINDER, BETRIEBSDRUCK (KURZZEITIG :  
ORIFICE : CYLINDRE A RESSORT, PRESSION D'UTILISATION : (DE COURTE DUREE :  
ORIFIZIO : CILINDRO A MOLLA, PRESSIONE DI ESERCIZIO : (BREVE TEMPO SOLO :

General Specification: JED-334-0		Copyright: WABCO *		<b>WABCO</b>	
Further Technical Data		Date: 2007-06-12		Structure: 30/30	
Doc. Code: 2007-06-12		Drawn: Dobruski		Checked: 005	
General Tolerances: ISO-201		2007-06-26		Saberški	
Range of Nominal Dimensions (L x mm)		1.0 - 180		TRISTOP A DOPIA DIAPHRAGMA	
Class II		± 0.10		TRISTOP A DOPIA DIAPHRAGMA	
Class III		± 0.15		TRISTOP A DOPIA DIAPHRAGMA	
Class IV		± 0.20		TRISTOP A DOPIA DIAPHRAGMA	
Class V		± 0.30		TRISTOP A DOPIA DIAPHRAGMA	
Class VI		± 0.40		TRISTOP A DOPIA DIAPHRAGMA	
Class VII		± 0.50		TRISTOP A DOPIA DIAPHRAGMA	
Class VIII		± 0.60		TRISTOP A DOPIA DIAPHRAGMA	
Class IX		± 0.70		TRISTOP A DOPIA DIAPHRAGMA	
Class X		± 0.80		TRISTOP A DOPIA DIAPHRAGMA	
Class XI		± 0.90		TRISTOP A DOPIA DIAPHRAGMA	
Class XII		± 1.00		TRISTOP A DOPIA DIAPHRAGMA	
Class XIII		± 1.10		TRISTOP A DOPIA DIAPHRAGMA	
Class XIV		± 1.20		TRISTOP A DOPIA DIAPHRAGMA	
Class XV		± 1.30		TRISTOP A DOPIA DIAPHRAGMA	
Class XVI		± 1.40		TRISTOP A DOPIA DIAPHRAGMA	
Class XVII		± 1.50		TRISTOP A DOPIA DIAPHRAGMA	
Class XVIII		± 1.60		TRISTOP A DOPIA DIAPHRAGMA	
Class XIX		± 1.70		TRISTOP A DOPIA DIAPHRAGMA	
Class XX		± 1.80		TRISTOP A DOPIA DIAPHRAGMA	
Class XXI		± 1.90		TRISTOP A DOPIA DIAPHRAGMA	
Class XXII		± 2.00		TRISTOP A DOPIA DIAPHRAGMA	
Class XXIII		± 2.10		TRISTOP A DOPIA DIAPHRAGMA	
Class XXIV		± 2.20		TRISTOP A DOPIA DIAPHRAGMA	
Class XXV		± 2.30		TRISTOP A DOPIA DIAPHRAGMA	
Class XXVI		± 2.40		TRISTOP A DOPIA DIAPHRAGMA	
Class XXVII		± 2.50		TRISTOP A DOPIA DIAPHRAGMA	
Class XXVIII		± 2.60		TRISTOP A DOPIA DIAPHRAGMA	
Class XXIX		± 2.70		TRISTOP A DOPIA DIAPHRAGMA	
Class XXX		± 2.80		TRISTOP A DOPIA DIAPHRAGMA	
Class XXXI		± 2.90		TRISTOP A DOPIA DIAPHRAGMA	
Class XXXII		± 3.00		TRISTOP A DOPIA DIAPHRAGMA	
Class XXXIII		± 3.10		TRISTOP A DOPIA DIAPHRAGMA	
Class XXXIV		± 3.20		TRISTOP A DOPIA DIAPHRAGMA	
Class XXXV		± 3.30		TRISTOP A DOPIA DIAPHRAGMA	
Class XXXVI		± 3.40		TRISTOP A DOPIA DIAPHRAGMA	
Class XXXVII		± 3.50		TRISTOP A DOPIA DIAPHRAGMA	
Class XXXVIII		± 3.60		TRISTOP A DOPIA DIAPHRAGMA	
Class XXXIX		± 3.70		TRISTOP A DOPIA DIAPHRAGMA	
Class XL		± 3.80		TRISTOP A DOPIA DIAPHRAGMA	
Class XLI		± 3.90		TRISTOP A DOPIA DIAPHRAGMA	
Class XLII		± 4.00		TRISTOP A DOPIA DIAPHRAGMA	
Class XLIII		± 4.10		TRISTOP A DOPIA DIAPHRAGMA	
Class XLIV		± 4.20		TRISTOP A DOPIA DIAPHRAGMA	
Class XLV		± 4.30		TRISTOP A DOPIA DIAPHRAGMA	
Class XLVI		± 4.40		TRISTOP A DOPIA DIAPHRAGMA	
Class XLVII		± 4.50		TRISTOP A DOPIA DIAPHRAGMA	
Class XLVIII		± 4.60		TRISTOP A DOPIA DIAPHRAGMA	
Class XLIX		± 4.70		TRISTOP A DOPIA DIAPHRAGMA	
Class L		± 4.80		TRISTOP A DOPIA DIAPHRAGMA	
Class LI		± 4.90		TRISTOP A DOPIA DIAPHRAGMA	
Class LII		± 5.00		TRISTOP A DOPIA DIAPHRAGMA	
Class LIII		± 5.10		TRISTOP A DOPIA DIAPHRAGMA	
Class LIV		± 5.20		TRISTOP A DOPIA DIAPHRAGMA	
Class LV		± 5.30		TRISTOP A DOPIA DIAPHRAGMA	
Class LVI		± 5.40		TRISTOP A DOPIA DIAPHRAGMA	
Class LVII		± 5.50		TRISTOP A DOPIA DIAPHRAGMA	
Class LVIII		± 5.60		TRISTOP A DOPIA DIAPHRAGMA	
Class LVIX		± 5.70		TRISTOP A DOPIA DIAPHRAGMA	
Class LX		± 5.80		TRISTOP A DOPIA DIAPHRAGMA	
Class LXI		± 5.90		TRISTOP A DOPIA DIAPHRAGMA	
Class LXII		± 6.00		TRISTOP A DOPIA DIAPHRAGMA	
Class LXIII		± 6.10		TRISTOP A DOPIA DIAPHRAGMA	
Class LXIV		± 6.20		TRISTOP A DOPIA DIAPHRAGMA	
Class LXV		± 6.30		TRISTOP A DOPIA DIAPHRAGMA	
Class LXVI		± 6.40		TRISTOP A DOPIA DIAPHRAGMA	
Class LXVII		± 6.50		TRISTOP A DOPIA DIAPHRAGMA	
Class LXVIII		± 6.60		TRISTOP A DOPIA DIAPHRAGMA	
Class LXIX		± 6.70		TRISTOP A DOPIA DIAPHRAGMA	
Class LXX		± 6.80		TRISTOP A DOPIA DIAPHRAGMA	
Class LXXI		± 6.90		TRISTOP A DOPIA DIAPHRAGMA	
Class LXXII		± 7.00		TRISTOP A DOPIA DIAPHRAGMA	
Class LXXIII		± 7.10		TRISTOP A DOPIA DIAPHRAGMA	
Class LXXIV		± 7.20		TRISTOP A DOPIA DIAPHRAGMA	
Class LXXV		± 7.30		TRISTOP A DOPIA DIAPHRAGMA	
Class LXXVI		± 7.40		TRISTOP A DOPIA DIAPHRAGMA	
Class LXXVII		± 7.50		TRISTOP A DOPIA DIAPHRAGMA	
Class LXXVIII		± 7.60		TRISTOP A DOPIA DIAPHRAGMA	
Class LXXIX		± 7.70		TRISTOP A DOPIA DIAPHRAGMA	
Class LXXX		± 7.80		TRISTOP A DOPIA DIAPHRAGMA	
Class LXXXI		± 7.90		TRISTOP A DOPIA DIAPHRAGMA	
Class LXXXII		± 8.00		TRISTOP A DOPIA DIAPHRAGMA	
Class LXXXIII		± 8.10		TRISTOP A DOPIA DIAPHRAGMA	
Class LXXXIV		± 8.20		TRISTOP A DOPIA DIAPHRAGMA	
Class LXXXV		± 8.30		TRISTOP A DOPIA DIAPHRAGMA	
Class LXXXVI		± 8.40		TRISTOP A DOPIA DIAPHRAGMA	
Class LXXXVII		± 8.50		TRISTOP A DOPIA DIAPHRAGMA	
Class LXXXVIII		± 8.60		TRISTOP A DOPIA DIAPHRAGMA	
Class LXXXIX		± 8.70		TRISTOP A DOPIA DIAPHRAGMA	
Class LXXXX		± 8.80		TRISTOP A DOPIA DIAPHRAGMA	
Class LXXXXI		± 8.90		TRISTOP A DOPIA DIAPHRAGMA	
Class LXXXXII		± 9.00		TRISTOP A DOPIA DIAPHRAGMA	
Class LXXXXIII		± 9.10		TRISTOP A DOPIA DIAPHRAGMA	
Class LXXXXIV		± 9.20		TRISTOP A DOPIA DIAPHRAGMA	
Class LXXXXV		± 9.30		TRISTOP A DOPIA DIAPHRAGMA	
Class LXXXXVI		± 9.40		TRISTOP A DOPIA DIAPHRAGMA	
Class LXXXXVII		± 9.50		TRISTOP A DOPIA DIAPHRAGMA	
Class LXXXXVIII		± 9.60		TRISTOP A DOPIA DIAPHRAGMA	
Class LXXXXIX		± 9.70		TRISTOP A DOPIA DIAPHRAGMA	
Class LXXXXX		± 9.80		TRISTOP A DOPIA DIAPHRAGMA	
Class LXXXXXI		± 9.90		TRISTOP A DOPIA DIAPHRAGMA	
Class LXXXXXII		± 10.00		TRISTOP A DOPIA DIAPHRAGMA	