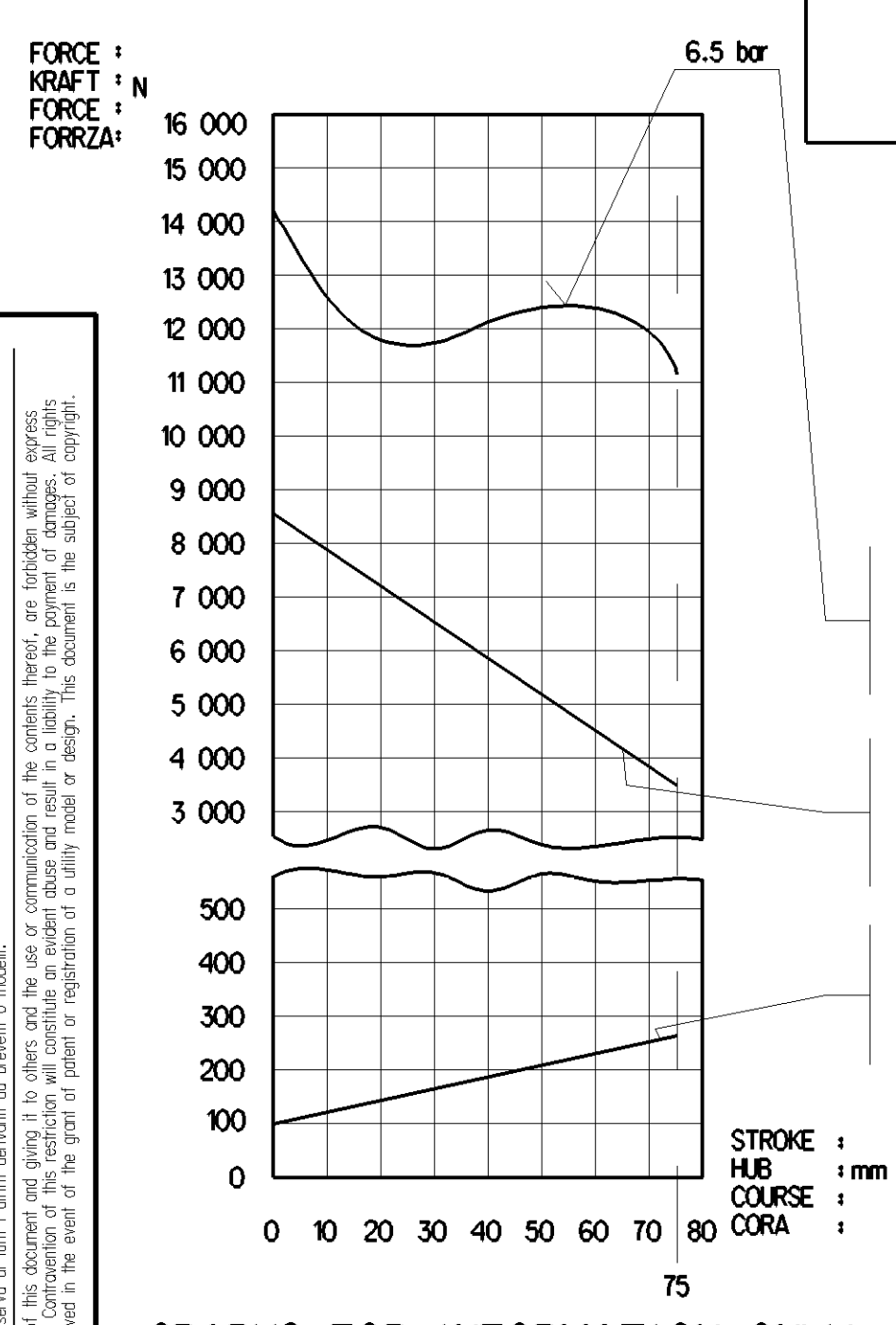
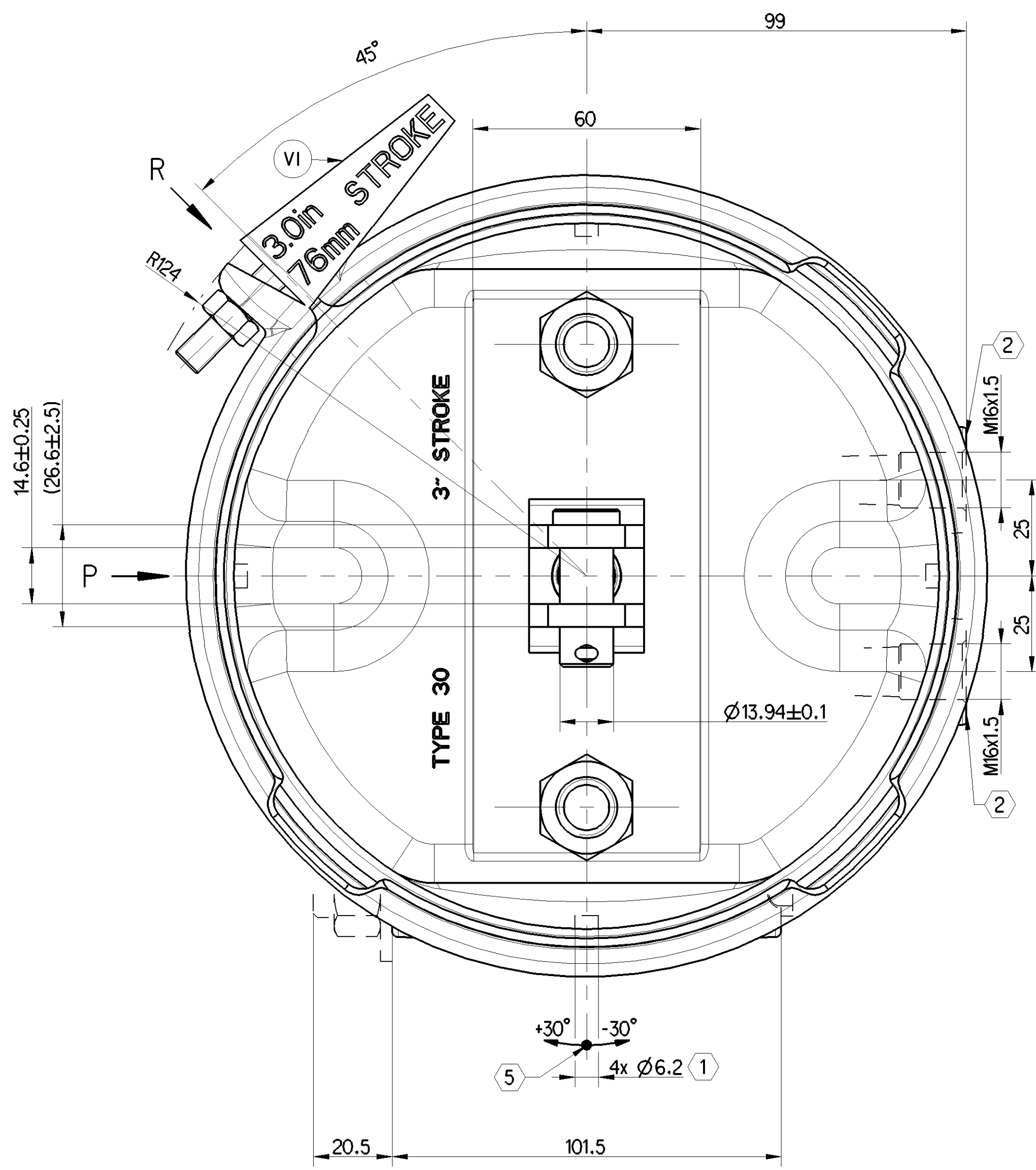
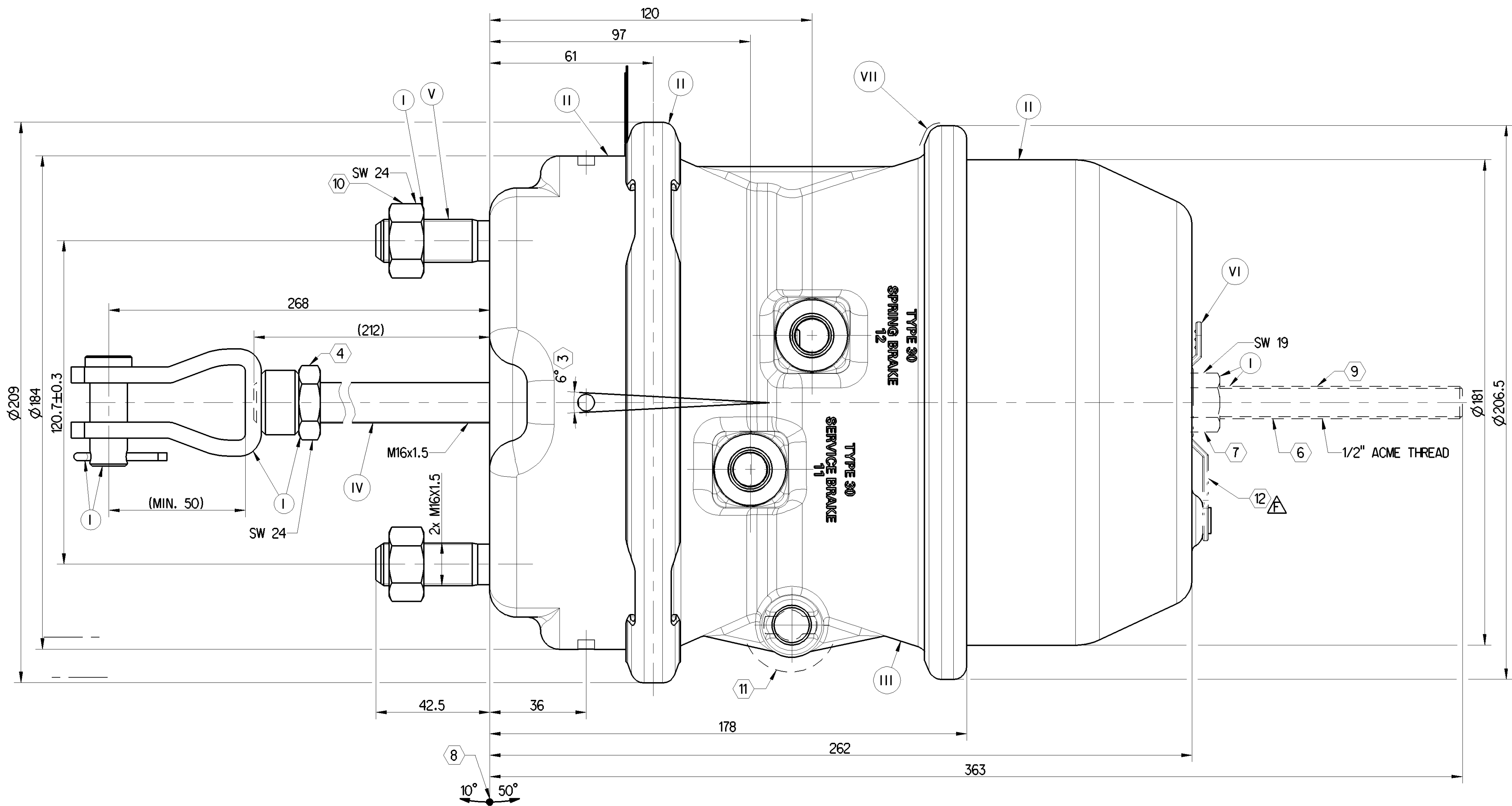
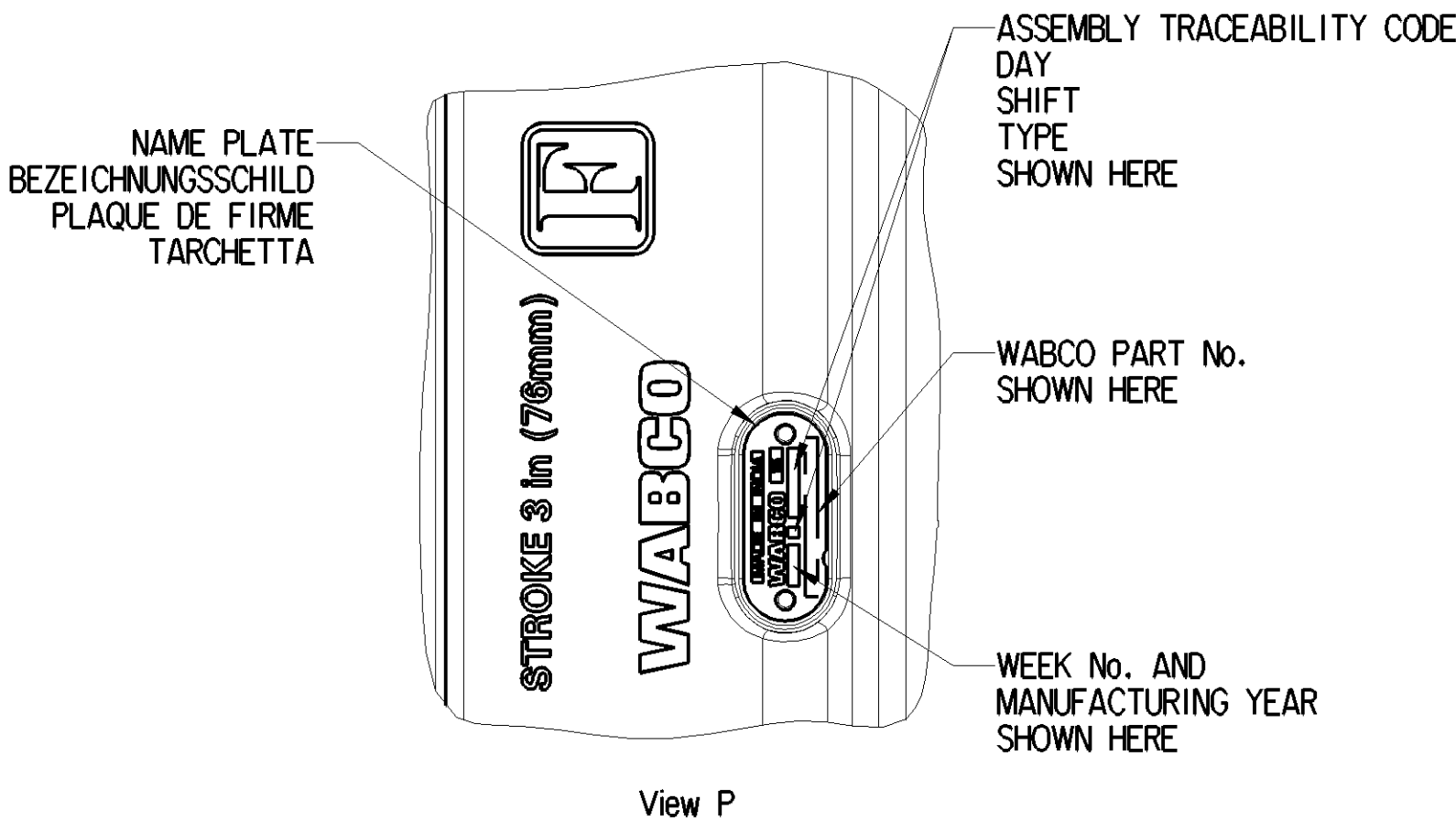
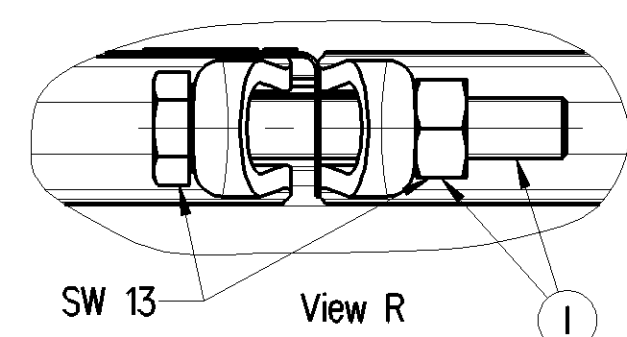


SURFACE PROTECTION	
I	JED-739-3
II	JED-240-3
III	JED-007-3
IV	JED-240-5
V	JED-371-0
VI	RUBBER / PLASTIC
VII	JED-240-1



AIR VOLUME OF SERVICE BRAKE PART AT 2/3 OF ITS STROKE
 HUBVOLUMEN DES BETRIEBSBREMSTEILES BEI 2/3 HUB
 VOLUME D'AIR DU DISPOSITIF DU FREIN DE SERVICE A 2/3 DE LA COURSE
 VOLUME D'ARIA DELLA SEZIONE DI FRENO DI SERVIZIO A 2/3 DELLA CORSA : ca. 1,25x10⁻⁶cm³

AIR VOLUME OF SPRING BRAKE PART
 HUBVOLUMEN DES FEDERSPEICHERS
 VOLUME D'AIR DU DISPOSITIF RESSORT
 VOLUME D'ARIA DELLA SEZIONE A MOLLA : ca. 1,90x10⁻⁶cm³

OUTPUT FORCE OF SERVICE BRAKE PART AT
 KRAFTABGABE DES BETRIEBSBREMSTEILES BEI
 EFFORT DE PUSSEE DU DISPOSITIF DU FREIN DE SERVICE SOUS
 FROZA DI SOINA DELLA SEZIONE DI FRENO DI SERVIZIO PER : pe 4,8 bar max
 dl 10 mm stroke

OUTPUT FORCE OF SPRING BRAKE PART, RELEASE PRESSURE
 KRAFTABGABE DES FEDERSPEICHERS, LOSSEDRUCK
 EFFORT DE PUSSEE DU DISPOSITIF RESSORT, PRESSION DE DESSERRAGE
 FORZA DI SPINIA DELLA SEZIONE A MOLLA, PRESSIONE DI RILASCIO : pe 4,8 bar max
 dl 10 mm stroke

FORCE OF RETURN SPRING OF SERVICE BRAKE PART
 RUECKSTELTKRAFT DES BETRIEBSBREMSTEILES
 EFFORT DU RESSORT DE RAPPEL DU DISPOSITIF DU FREIN DE SERVICE
 FORZA DELLA MOLLA DI RITORNO DELLA SEZIONE DI FRENO DI SERVIZIO : 11 STROKE : HUB : 75 mm min.
 COURSE : 75
 CORSA : 75

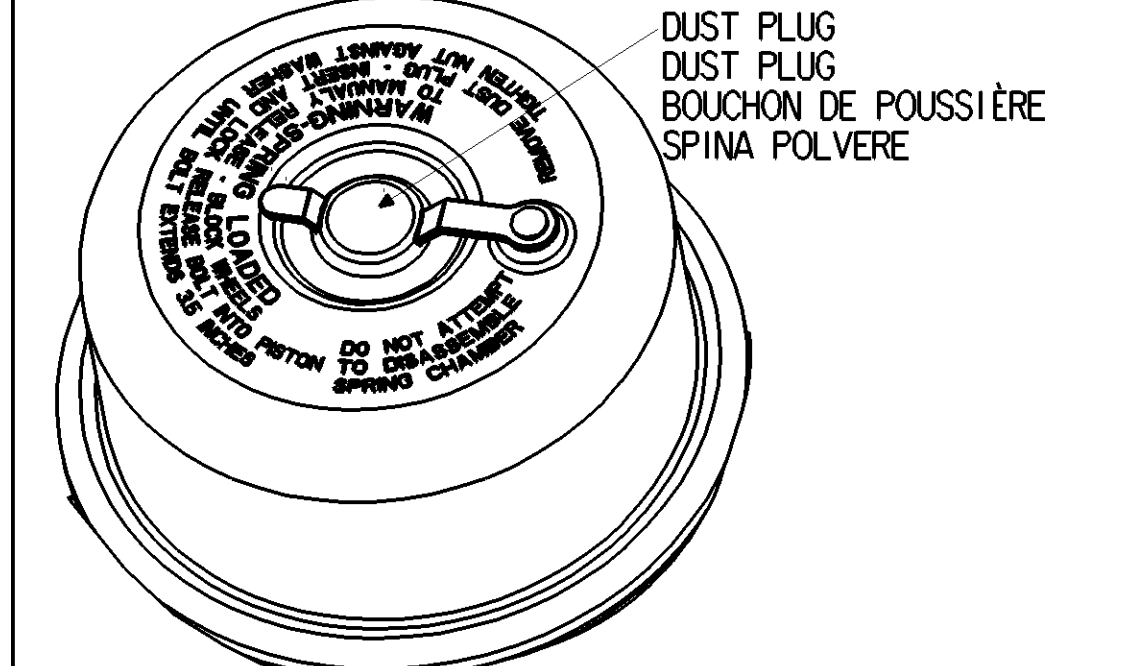
**12 STROKE : HUB : 75 mm min.
 COURSE : 75
 CORSA : 75**

MEDIUM : AIR NOMINAL DIAMETER : MIN Ø9.0 mm WIDTH ACROSS FLATS : SW SCHLUSSELWEITE SURPLATS LAGHEZZA IN CHIAVE THERMAL RANGE OF APPLICATION : THERMISCHER ANWENDUNGSBEREICH : -40°C...+80°C
MEDIUM : LUFT DIAMETRE NOMINAL : MIN Ø9.0 mm SW SCHLUSSELWEITE SURPLATS LAGHEZZA IN CHIAVE BAINNE D'APPLICATION TERMIQUE : CAMPO DI APPLICAZIONE TERMICA
FLUIDE : AIR DIAMETRO NOMINALE : MIN Ø9.0 mm SW SCHLUSSELWEITE SURPLATS LAGHEZZA IN CHIAVE CAMPO DI APPLICAZIONE TERMICA
FLUIDE : ARIA DIAMETRO NOMINALE : MIN Ø9.0 mm SW SCHLUSSELWEITE SURPLATS LAGHEZZA IN CHIAVE CAMPO DI APPLICAZIONE TERMICA

PORT : SERVICE BRAKING SYSTEM, WORKING PRESSURE : Pe max. = 10.2 bar (TEMPORARILY : Pe max. = 13 bar)
 ANSCHLUSS : 11 BETRIEBSBREMSEANLAGE, BETRIEBSDRUCK (KURZZEITIG : Pe max. = 13 bar)
 ORIFICE : DISPOSITIF DE FREINAGE DE SERVICE, PRESSION D'UTILISATION (DE COURTE DUREE : Pe max. = 13 bar)
 ORIFIZIO : DISPOSITIVO DI FRENATURA DI SERVIZIO, PRESSIONE DI ESERCIZIO (BREVE TEMPO SOLO : Pe max. = 13 bar)

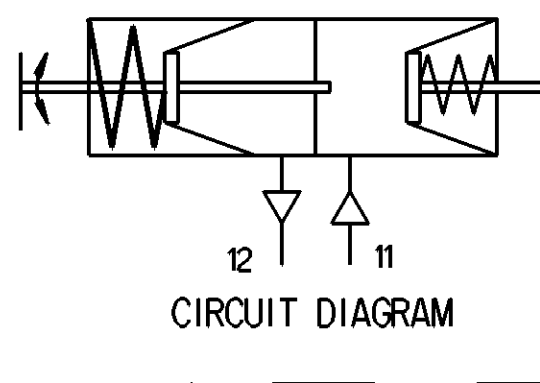
PORT : SPRING BRAKE CYLINDER, WORKING PRESSURE : Pe max. = 8.5 bar (TEMPORARILY : Pe max. = 11 bar)
 ANSCHLUSS : 12 FEDERSPEICHERZYLINDER, BETRIEBSDRUCK (KURZZEITIG : Pe max. = 11 bar)
 ORIFICE : CYLINDRE A RESSORT, PRESSION D'UTILISATION (DE COURTE DUREE : Pe max. = 11 bar)
 ORIFIZIO : CILINDRO A MOLLA, PRESSIONE DI ESERCIZIO (BREVE TEMPO SOLO : Pe max. = 11 bar)

**CAUTION
 VORSICHT
 PRUDENCE
 ATTENZIONE**



AFTER REMOVAL OF CAGING/ RELEASE BOLT ENSURE THE HOLE IS ALWAYS COVERED WITH DUST PLUG
 NACH ENTNAHME KÄFIG/LÖSEBOLZEN SICHERSTELLEN, DASS DIE BOHRUNG IMMER MIT STAUBSTOPFEN ABEDECKT IST
 1) APRES LE RETRAIT DE CAGING/BOLLON DE LIBERATION ASSUREZ-VOUS QUE LE TROU EST TOUJOURS COUVERT DE BOUCHON DE POUSSIERE
 DOPO LA RIMOZIONE DEL BULLONE DI GABBIA/RILASCIO ASSICURARSI CHE IL FORO È SEMPRE COPERTO DA SPINA DI POLVERE

FAILURE TO INSTALL THE DUST PLUG IN THE CYLINDER HOLE MAY CAUSE PREMATURE FAILURE OF POWER SPRING AND POTENTIAL LOSS OF PARKING BRAKE FORCE
 WENN DER STAUBSTOPFEN NICHT IN DIE ZYLINDERBOHRUNG EINGEBAUT WIRD, KANN ES ZU VORZEITIGEM AUSFALL DER KRAFTFEDER UND POTENTIELLEN VERLUST DER FESTSTELLBREMSEKRAFT KOMMEN
 2) DÉFAUT D'INSTALLER LE BOUCHON DE POUSSIERE DANS LE TROU DU CYLINDRE PEUT CAUSER UNE DÉFAILLANCE PRÉMATURÉE DU RESSORT DE RUSSANCE ET UNE PERTE POTENTIELLE DE LA FORCE DE FREIN DE STATIONNEMENT
 MANCATA INSTALLAZIONE DELLA SPINA DELLA POLVERE NEL FORO DEL CILINDRO PUÒ CAUSARE UN GUASTO PREMATURO DELLA MOLLA DI ALIMENTAZIONE E POTENZIALE PERDITA DELLA FORZA DEL FRENO DI STAZIONAMENTO



- 1 OPEN BREATHER HOLE
OFFENE ATMUNGSDÖHRUNG
VERT TROU RENIFLEUR
APERTO FORO RESPIRATORE
- 2 TORQUE : 34 Nm max.
ANZUGSMOMENT : 34 Nm max.
COUPLE DE SERRAGE : 34 Nm max.
COPIA DI SERRAGGIE : 34 Nm max.
- 3 DEFLECTION : AT STROKE
AUSLENKUNG : 6° max BEI HUB
DEFLEXION : A COURSE
EVIAZIONI : A CORSA
- 4 TORQUE : 80±10 Nm
ANZUGSMOMENT : 80±10 Nm
COUPLE DE SERRAGE : 80±10 Nm
COPIA DI SERRAGGIE : 80±10 Nm
- 5 TO BE INSTALLED WITH THE BREATHER HOLE OPEN AT BOTTOM MOST POSITION
IM EINBAUZUSTAND UNTERE ATMUNGSDÖHRUNG OFFEN
A MONTER AVEC LE RENIFLARD INFÉRIEUR OUVERT
INSTALLAZIONE CON IL FORO DI SFIOINFERIORE APERTO
- 6 CONDITION AS SUPPLIED : SPRING BRAKE RELEASED
ANLIEFERUNGSZUSTAND : FEDERBREMSE GELÖST
ETAT DE LIVRAISON : PUBLIE FREIN DE PRINTEMPS
STATO DI FORNITURA : FRENO A MOLLA RILASCIATO
- 7 TORQUE : max. 25 Nm
ANZUGSMOMENT : max. 25 Nm
COUPLE DE SERRAGE : max. 25 Nm
COPIA DI SERRAGGIE : max. 25 Nm
- 8 ADMISSIBLE INSTALLATION POSITION
ZULÄSSIGE EINBALLAGE
POSITION D'INSTALLATION ADMISE
POSIZIONE DI MONTAGGIO AMMESSA
- 9 RELEASED POSITION
LOSSESTELLUNG
POSITION DE DESSERRAGE
POSIZIONE DI RILASCIO
- 10 TORQUE : 210^{±0} Nm
ANZUGSMOMENT : 210^{±0} Nm
COUPLE DE SERRAGE : 210^{±0} Nm
COPIA DI SERRAGGIE : 210^{±0} Nm
- 11 FIXTURE OF RELEASE BOLT TORQUE
LOSSESCHRAUBENHALTER ANZUGSMOMENT : 22.5 ±2.5 Nm
SUPPORT DE LA VIS DE DESSERRAGE : COUPLE DE SERRAGE : 22.5 ±2.5 Nm
COPIA DI SERRAGGIE : 22.5 ±2.5 Nm
- 12 DRAWN OUT OF PLANE
AUS DER EBENE GEZOGEN
TIRÉ HORS DU PLAN
TIRATO FUORI DAL PIANO

General Specifications ISO 8015, ISO 1101, ISO 14001, ISO 14000, ISO 14004, ISO 14005, ISO 14006, ISO 14007, ISO 14008, ISO 14009, ISO 14010, ISO 14011, ISO 14012, ISO 14013, ISO 14014, ISO 14015, ISO 14016, ISO 14017, ISO 14018, ISO 14019, ISO 14020, ISO 14021, ISO 14022, ISO 14023, ISO 14024, ISO 14025, ISO 14026, ISO 14027, ISO 14028, ISO 14029, ISO 14030, ISO 14031, ISO 14032, ISO 14033, ISO 14034, ISO 14035, ISO 14036, ISO 14037, ISO 14038, ISO 14039, ISO 14040, ISO 14041, ISO 14042, ISO 14043, ISO 14044, ISO 14045, ISO 14046, ISO 14047, ISO 14048, ISO 14049, ISO 14050, ISO 14051, ISO 14052, ISO 14053, ISO 14054, ISO 14055, ISO 14056, ISO 14057, ISO 14058, ISO 14059, ISO 14060, ISO 14061, ISO 14062, ISO 14063, ISO 14064, ISO 14065, ISO 14066, ISO 14067, ISO 14068, ISO 14069, ISO 14070, ISO 14071, ISO 14072, ISO 14073, ISO 14074, ISO 14075, ISO 14076, ISO 14077, ISO 14078, ISO 14079, ISO 14080, ISO 14081, ISO 14082, ISO 14083, ISO 14084, ISO 14085, ISO 14086, ISO 14087, ISO 14088, ISO 14089, ISO 14090, ISO 14091, ISO 14092, ISO 14093, ISO 14094, ISO 14095, ISO 14096, ISO 14097, ISO 14098, ISO 14099, ISO 14100, ISO 14101, ISO 14102, ISO 14103, ISO 14104, ISO 14105, ISO 14106, ISO 14107, ISO 14108, ISO 14109, ISO 14110, ISO 14111, ISO 14112, ISO 14113, ISO 14114, ISO 14115, ISO 14116, ISO 14117, ISO 14118, ISO 14119, ISO 14120, ISO 14121, ISO 14122, ISO 14123, ISO 14124, ISO 14125, ISO 14126, ISO 14127, ISO 14128, ISO 14129, ISO 14130, ISO 14131, ISO 14132, ISO 14133, ISO 14134, ISO 14135, ISO 14136, ISO 14137, ISO 14138, ISO 14139, ISO 14140, ISO 14141, ISO 14142, ISO 14143, ISO 14144, ISO 14145, ISO 14146, ISO 14147, ISO 14148, ISO 14149, ISO 14150, ISO 14151, ISO 14152, ISO 14153, ISO 14154, ISO 14155, ISO 14156, ISO 14157, ISO 14158, ISO 14159, ISO 14160, ISO 14161, ISO 14162, ISO 14163, ISO 14164, ISO 14165, ISO 14166, ISO 14167, ISO 14168, ISO 14169, ISO 14170, ISO 14171, ISO 14172, ISO 14173, ISO 14174, ISO 14175, ISO 14176, ISO 14177, ISO 14178, ISO 14179, ISO 14180, ISO 14181, ISO 14182, ISO 14183, ISO 14184, ISO 14185, ISO 14186, ISO 14187, ISO 14188, ISO 14189, ISO 14190, ISO 14191, ISO 14192, ISO 14193, ISO 14194, ISO 14195, ISO 14196, ISO 14197, ISO 14198, ISO 14199, ISO 14200, ISO 14201, ISO 14202, ISO 14203, ISO 14204, ISO 14205, ISO 14206, ISO 14207, ISO 14208, ISO 14209, ISO 14210, ISO 14211, ISO 14212, ISO 14213, ISO 14214, ISO 14215, ISO 14216, ISO 14217, ISO 14218, ISO 14219, ISO 14220, ISO 14221, ISO 14222, ISO 14223, ISO 14224, ISO 14225, ISO 14226, ISO 14227, ISO 14228, ISO 14229, ISO 14230, ISO 14231, ISO 14232, ISO 14233, ISO 14234, ISO 14235, ISO 14236, ISO 14237, ISO 14238, ISO 14239, ISO 14240, ISO 14241, ISO 14242, ISO 14243, ISO 14244, ISO 14245, ISO 14246, ISO 14247, ISO 14248, ISO 14249, ISO 14250, ISO 14251, ISO 14252, ISO 14253, ISO 14254, ISO 14255, ISO 14256, ISO 14257, ISO 14258, ISO 14259, ISO 14260, ISO 14261, ISO 14262, ISO 14263, ISO 14264, ISO 14265, ISO 14266, ISO 14267, ISO 14268, ISO 14269, ISO 14270, ISO 14271, ISO 14272, ISO 14273, ISO 14274, ISO 14275, ISO 14276, ISO 14277, ISO 14278, ISO 14279, ISO 14280, ISO 14281, ISO 14282, ISO 14283, ISO 14284, ISO 14285, ISO 14286, ISO 14287, ISO 14288, ISO 14289, ISO 14290, ISO 14291, ISO 14292, ISO 14293, ISO 14294, ISO 14295, ISO 14296, ISO 14297, ISO 14298, ISO 14299, ISO 14300, ISO 14301, ISO 14302, ISO 14303, ISO 14304, ISO 14305, ISO 14306, ISO 14307, ISO 14308, ISO 14309, ISO 14310, ISO 14311, ISO 14312, ISO 14313, ISO 14314, ISO 14315, ISO 14316, ISO 14317, ISO 14318, ISO 14319, ISO 14320, ISO 14321, ISO 14322, ISO 14323, ISO 14324, ISO 14325, ISO 14326, ISO 14327, ISO 14328, ISO 14329, ISO 14330, ISO 14331, ISO 14332, ISO 14333, ISO 14334, ISO 14335, ISO 14336, ISO 14337, ISO 14338, ISO 14339, ISO 14340, ISO 14341, ISO 14342, ISO 14343, ISO 14344, ISO 14345, ISO 14346, ISO 14347, ISO 14348, ISO 14349, ISO 14350, ISO 14351, ISO 14352, ISO 14353, ISO 14354, ISO 14355, ISO 14356, ISO 14357, ISO 14358, ISO 14359, ISO 14360, ISO 14361, ISO 14362, ISO 14363, ISO 14364, ISO 14365, ISO 14366, ISO 14367, ISO 14368, ISO 14369, ISO 14370, ISO 14371, ISO 14372, ISO 14373, ISO 14374, ISO 14375, ISO 14376, ISO 14377, ISO 14378, ISO 14379, ISO 14380, ISO 14381, ISO 14382, ISO 14383, ISO 14384, ISO 14385, ISO 14386, ISO 14387, ISO 14388, ISO 14389, ISO 14390, ISO 14391, ISO 14392, ISO 14393, ISO 14394, ISO 14395, ISO 14396, ISO 14397, ISO 14398, ISO 14399, ISO 14400, ISO 14401, ISO 14402, ISO 14403, ISO 14404, ISO 14405, ISO 14406, ISO 14407, ISO 14408, ISO 14409, ISO 14410, ISO 14411, ISO 14412, ISO 14413, ISO 14414, ISO 14415, ISO 14416, ISO 14417, ISO 14418, ISO 14419, ISO 14420, ISO 14421, ISO 14422, ISO 14423, ISO 14424, ISO 14425, ISO 14426, ISO 14427, ISO 14428, ISO 14429, ISO 14430, ISO 14431, ISO 14432, ISO 14433, ISO 14434, ISO 14435, ISO 14436, ISO 14437, ISO 14438, ISO 14439, ISO 14440, ISO 14441, ISO 14442, ISO 14443, ISO 14444, ISO 14445, ISO 14446, ISO 14447, ISO 14448, ISO 14449, ISO 14450, ISO 14451, ISO 14452, ISO 14453, ISO 14454, ISO 14455, ISO 14456, ISO 14457, ISO 14458, ISO 14459, ISO 14460, ISO 14461, ISO 14462, ISO 14463, ISO 14464, ISO 14465, ISO 14466, ISO 14467, ISO 14468, ISO 14469, ISO 14470, ISO 14471, ISO 14472, ISO 14473, ISO 14474, ISO 14475, ISO 14476, ISO 14477, ISO 14478, ISO 14479, ISO 14480, ISO 14481, ISO 14482, ISO 14483, ISO 14484, ISO 14485, ISO 14486, ISO 14487, ISO 14488, ISO 14489, ISO 14490, ISO 14491, ISO 14492, ISO 14493, ISO 14494, ISO 14495, ISO 14496, ISO 14497, ISO 14498, ISO 14499, ISO 14500, ISO 14501, ISO 14502, ISO 14503, ISO 14504, ISO 14505, ISO 14506, ISO 14507, ISO 14508, ISO 14509, ISO 14510, ISO 14511, ISO 14512, ISO 14513, ISO 14514, ISO 14515, ISO 14516, ISO 14517, ISO 14518, ISO 14519, ISO 14520, ISO 14521, ISO 14522, ISO 14523, ISO 14524, ISO 14525, ISO 14526, ISO 14527, ISO 14528, ISO 14529, ISO 14530, ISO 14531, ISO 14532, ISO 14533, ISO 14534, ISO 14535, ISO 14536, ISO 14537, ISO 14538, ISO 14539, ISO 14540, ISO 14541, ISO 14542, ISO 14543, ISO 14544, ISO 14545, ISO 14546, ISO 14547, ISO 14548, ISO 14549, ISO 14550, ISO 14551, ISO 14552, ISO 14553, ISO 14554, ISO 14555, ISO 14556, ISO 14557, ISO 14558, ISO 14559, ISO 14560, ISO 14561, ISO 14562, ISO 14563, ISO 14564, ISO 14565, ISO 14566, ISO 14567, ISO 14568, ISO 14569, ISO 14570, ISO 14571, ISO 14572, ISO 14573, ISO 14574, ISO 14575, ISO 14576, ISO 14577, ISO 14578, ISO 14579, ISO 14580, ISO 14581, ISO 14582, ISO 14583, ISO 14584, ISO 14585, ISO 14586, ISO 14587, ISO 14588, ISO 14589, ISO 14590, ISO 14591, ISO 14592, ISO 14593, ISO 14594, ISO 14595, ISO 14596, ISO 14597, ISO 14598, ISO 14599, ISO 14600, ISO 14601, ISO 14602, ISO 14603, ISO 14604, ISO 14605, ISO 14606, ISO 14607, ISO 14608, ISO 14609, ISO 14610, ISO 14611, ISO 14612, ISO 14613, ISO 14614, ISO 14615, ISO 14616, ISO 14617, ISO 14618, ISO 14619, ISO 14620, ISO 14621, ISO 14622, ISO 14623, ISO 14624, ISO 14625, ISO 14626, ISO 14627, ISO 14628, ISO 14629, ISO 14630, ISO 14631, ISO 14632, ISO 14633, ISO 14634, ISO 14635, ISO 14636, ISO 14637, ISO 14638, ISO 14639, ISO 14640, ISO 14641, ISO 14642, ISO 14643, ISO 14644, ISO 14645, ISO 14646, ISO 14647, ISO 14648, ISO 14649, ISO 14650, ISO 14651, ISO 14652, ISO 14653, ISO 14654, ISO 14655, ISO 14656, ISO 14657, ISO 14658, ISO 14659, ISO 14660, ISO 14661, ISO 14662, ISO 14663, ISO 14664, ISO 14665, ISO 14666, ISO 14667, ISO 14668, ISO 14669, ISO 14670, ISO 14671, ISO 14672, ISO 14673, ISO 14674, ISO 14675, ISO 14676, ISO 14677, ISO 14678, ISO 14679, ISO 14680, ISO 14681, ISO 14682, ISO 14683, ISO 14684, ISO 14685, ISO 14686, ISO 14687, ISO 14688, ISO 14689, ISO 14690, ISO 14691, ISO 14692, ISO 14693, ISO 14694, ISO 14695, ISO 14696, ISO 14697, ISO 14698, ISO 14699, ISO 14700, ISO 14701, ISO 14702, ISO 14703, ISO 14704, ISO 14705, ISO 14706, ISO 14707, ISO 14708, ISO 14709, ISO 14710, ISO 14711, ISO 14712, ISO 14713, ISO 14714, ISO 14715, ISO 14716, ISO 14717, ISO 14718, ISO 14719, ISO 14720, ISO 14721, ISO 14722, ISO 14723, ISO 14724, ISO 14725, ISO 14726, ISO 14727, ISO 14728, ISO 14729, ISO 14730, ISO 14731, ISO 14732, ISO 14733, ISO 14734, ISO 14735, ISO 14736, ISO 14737, ISO 14738, ISO 14739, ISO 14740, ISO 14741, ISO 14742, ISO 14743, ISO 14744, ISO 14745, ISO 14746, ISO 14747, ISO 14748, ISO 14749, ISO 14750, ISO 14751, ISO 14752, ISO 14753, ISO 14754, ISO 14755, ISO 14756, ISO 14757, ISO 14758, ISO 14759, ISO 14760, ISO 14761, ISO 14762, ISO 14763, ISO 14764, ISO 14765, ISO 14766, ISO 14767, ISO 14768, ISO 14769, ISO 14770, ISO 14771, ISO 14772, ISO 14773, ISO 14774, ISO 14775, ISO 14776, ISO 14777, ISO 14778, ISO 14779, ISO 14780, ISO 14781, ISO 14782, ISO 14783, ISO 14784, ISO 14785, ISO 14786, ISO 14787, ISO 14788, ISO 14789, ISO 14790, ISO 14791, ISO 14792, ISO 14793, ISO 14794, ISO 14795, ISO 14796, ISO 14797, ISO 14798, ISO 14799, ISO 14800, ISO 14801, ISO 14802, ISO 14803, ISO 14804, ISO 14805, ISO 14806, ISO 14807, ISO 14808, ISO 14809, ISO 14810, ISO 14811, ISO 14812, ISO 14813, ISO 14814, ISO 14815, ISO 14816, ISO 14817, ISO 14818, ISO 14819, ISO 14820, ISO 14821, ISO 14822, ISO 14823, ISO 14824, ISO 14825, ISO 14826, ISO 14827, ISO 14828, ISO 14829, ISO 14830, ISO 14831, ISO 14832, ISO 14833, ISO 14834, ISO 14835, ISO 14836, ISO 14837, ISO 14838, ISO 14839, ISO 14840, ISO 14841, ISO 14842, ISO 14843, ISO 14844, ISO 14845, ISO 14846, ISO 14847, ISO 14848, ISO 14849, ISO 14850, ISO 14851, ISO 14852, ISO 14853, ISO 14854, ISO 14855, ISO 14856, ISO 14857, ISO 14858, ISO 14859, ISO 14860, ISO 14861, ISO 14862, ISO 14863, ISO 14864, ISO 14865, ISO 14866, ISO 14867, ISO 14868, ISO 14869, ISO 14870, ISO 14871, ISO 14872, ISO 14873, ISO 14874, ISO 14875, ISO 14876, ISO 14877, ISO 14878, ISO 14879, ISO 14880, ISO 14881, ISO 14882, ISO 14883, ISO 14884, ISO 14885, ISO 14886, ISO 14887, ISO 14888, ISO 14889, ISO 14890, ISO 14891, ISO 14892, ISO 14893, ISO 14894, ISO 14895, ISO 14896, ISO 14897, ISO 14898, ISO 14899, ISO 14900, ISO 14901, ISO 14902, ISO 14903, ISO 14904, ISO 14905, ISO 14906, ISO 14907, ISO 14908, ISO 14909, ISO 14910, ISO 14911, ISO 14912, ISO 14913, ISO 14914, ISO 14915, ISO 14916, ISO 14917, ISO 14918, ISO 14919, ISO 14920, ISO 14921, ISO 14922, ISO 14923, ISO 14924, ISO 14925, ISO 14926, ISO 14927, ISO 14928, ISO 14929, ISO 14930, ISO 14931, ISO 14932, ISO 14933, ISO 14934, ISO 14935, ISO 14936, ISO 14937, ISO 14938, ISO 14939, ISO 14940, ISO 14941, ISO 14942, ISO 14943, ISO 14944, ISO 14945, ISO 14946, ISO 14947, ISO 14948, ISO 14949, ISO 14950, ISO 14951, ISO 14952, ISO 14953, ISO 14954, ISO 14955, ISO 14956, ISO 14957, ISO 14958, ISO 14959, ISO 14960, ISO 14961, ISO 14962, ISO 14963, ISO 14964, ISO 14965, ISO 14966, ISO 14967, ISO 14968, ISO 14969, ISO 14970, ISO 14971, ISO 14972, ISO 14973, ISO 14974, ISO 14975, ISO 14976, ISO 14977, ISO 14978, ISO 14979, ISO 14980, ISO 14981, ISO 14982, ISO 14983, ISO 14984, ISO 14985, ISO 14986, ISO 14987, ISO 14988, ISO 14989, ISO 14990, ISO 14991, ISO 14992, ISO 14993, ISO 14994, ISO 14995, ISO 14996, ISO 14997, ISO 14998, ISO 14999, ISO 15000, ISO 15001, ISO 15002, ISO 15003, ISO 15004, ISO 15005, ISO 15006, ISO 15007, ISO 15008, ISO 15009, ISO 15010, ISO 15011, ISO 15012, ISO 15013, ISO 15014, ISO 15015, ISO 15016, ISO 15017, ISO 15018, ISO 15019, ISO 15020, ISO 15021, ISO 15022, ISO 15023, ISO 15024, ISO 15025, ISO 15026, ISO 15027, ISO 15028, ISO 15029, ISO 15030, ISO 15031, ISO 15032, ISO 15033, ISO 15034, ISO 15035, ISO 15036, ISO 15037, ISO 15038, ISO 15039, ISO 15040, ISO 15041, ISO 15042, ISO 15043, ISO 15044, ISO 15045, ISO 15046, ISO 15047, ISO 15048, ISO 15049, ISO 15050, ISO 15051, ISO 15052, ISO 15053, ISO 15054, ISO 15055, ISO 15056, ISO 15057, ISO 15058, ISO 15059, ISO 15060, ISO 15061, ISO 15062, ISO 15063, ISO 15064, ISO 15065, ISO 15066, ISO 15067, ISO 15068, ISO 15069, ISO 15070, ISO 15071, ISO 15072, ISO 15073, ISO 15074, ISO 15075, ISO 15076, ISO 15077, ISO 15078, ISO 15079, ISO 15080, ISO 15081, ISO 15082, ISO 15083, ISO 15084, ISO 15085, ISO 15086, ISO 15087, ISO 15088, ISO 15089, ISO 15090, ISO 15091, ISO 15092, ISO 15093, ISO 15094, ISO 15095, ISO 15096, ISO 15097, ISO 15098, ISO 15099, ISO 15100, ISO 15101, ISO 15102, ISO 15103, ISO 15104, ISO 15105, ISO 15106, ISO 15107, ISO 15108, ISO 15109, ISO 15110, ISO 15111, ISO 15112, ISO 15113, ISO 15114, ISO 15115, ISO 15116, ISO 15117, ISO 15118, ISO 15119, ISO 15120, ISO 15121, ISO 15122, ISO 15123, ISO 15124, ISO 15125, ISO 15126, ISO 15127, ISO 15128, ISO 15129, ISO 15130, ISO 15131, ISO 15132, ISO 15133, ISO 15134, ISO 15135, ISO 15136, ISO 15137, ISO 15138, ISO 15139, ISO 15140, ISO 15141, ISO 15142, ISO 15143, ISO 15144,	
-----------------------------------------------------------------------------------------------------------------------------------------------------------------------------------------------------------------------------------------------------------------------------------------------------------------------------------------------------------------------------------------------------------------------------------------------------------------------------------------------------------------------------------------------------------------------------------------------------------------------------------------------------------------------------------------------------------------------------------------------------------------------------------------------------------------------------------------------------------------------------------------------------------------------------------------------------------------------------------------------------------------------------------------------------------------------------------------------------------------------------------------------------------------------------------------------------------------------------------------------------------------------------------------------------------------------------------------------------------------------------------------------------------------------------------------------------------------------------------------------------------------------------------------------------------------------------------------------------------------------------------------------------------------------------------------------------------------------------------------------------------------------------------------------------------------------------------------------------------------------------------------------------------------------------------------------------------------------------------------------------------------------------------------------------------------------------------------------------------------------------------------------------------------------------------------------------------------------------------------------------------------------------------------------------------------------------------------------------------------------------------------------------------------------------------------------------------------------------------------------------------------------------------------------------------------------------------------------------------------------------------------------------------------------------------------------------------------------------------------------------------------------------------------------------------------------------------------------------------------------------------------------------------------------------------------------------------------------------------------------------------------------------------------------------------------------------------------------------------------------------------------------------------------------------------------------------------------------------------------------------------------------------------------------------------------------------------------------------------------------------------------------------------------------------------------------------------------------------------------------------------------------------------------------------------------------------------------------------------------------------------------------------------------------------------------------------------------------------------------------------------------------------------------------------------------------------------------------------------------------------------------------------------------------------------------------------------------------------------------------------------------------------------------------------------------------------------------------------------------------------------------------------------------------------------------------------------------------------------------------------------------------------------------------------------------------------------------------------------------------------------------------------------------------------------------------------------------------------------------------------------------------------------------------------------------------------------------------------------------------------------------------------------------------------------------------------------------------------------------------------------------------------------------------------------------------------------------------------------------------------------------------------------------------------------------------------------------------------------------------------------------------------------------------------------------------------------------------------------------------------------------------------------------------------------------------------------------------------------------------------------------------------------------------------------------------------------------------------------------------------------------------------------------------------------------------------------------------------------------------------------------------------------------------------------------------------------------------------------------------------------------------------------------------------------------------------------------------------------------------------------------------------------------------------------------------------------------------------------------------------------------------------------------------------------------------------------------------------------------------------------------------------------------------------------------------------------------------------------------------------------------------------------------------------------------------------------------------------------------------------------------------------------------------------------------------------------------------------------------------------------------------------------------------------------------------------------------------------------------------------------------------------------------------------------------------------------------------------------------------------------------------------------------------------------------------------------------------------------------------------------------------------------------------------------------------------------------------------------------------------------------------------------------------------------------------------------------------------------------------------------------------------------------------------------------------------------------------------------------------------------------------------------------------------------------------------------------------------------------------------------------------------------------------------------------------------------------------------------------------------------------------------------------------------------------------------------------------------------------------------------------------------------------------------------------------------------------------------------------------------------------------------------------------------------------------------------------------------------------------------------------------------------------------------------------------------------------------------------------------------------------------------------------------------------------------------------------------------------------------------------------------------------------------------------------------------------------------------------------------------------------------------------------------------------------------------------------------------------------------------------------------------------------------------------------------------------------------------------------------------------------------------------------------------------------------------------------------------------------------------------------------------------------------------------------------------------------------------------------------------------------------------------------------------------------------------------------------------------------------------------------------------------------------------------------------------------------------------------------------------------------------------------------------------------------------------------------------------------------------------------------------------------------------------------------------------------------------------------------------------------------------------------------------------------------------------------------------------------------------------------------------------------------------------------------------------------------------------------------------------------------------------------------------------------------------------------------------------------------------------------------------------------------------------------------------------------------------------------------------------------------------------------------------------------------------------------------------------------------------------------------------------------------------------------------------------------------------------------------------------------------------------------------------------------------------------------------------------------------------------------------------------------------------------------------------------------------------------------------------------------------------------------------------------------------------------------------------------------------------------------------------------------------------------------------------------------------------------------------------------------------------------------------------------------------------------------------------------------------------------------------------------------------------------------------------------------------------------------------------------------------------------------------------------------------------------------------------------------------------------------------------------------------------------------------------------------------------------------------------------------------------------------------------------------------------------------------------------------------------------------------------------------------------------------------------------------------------------------------------------------------------------------------------------------------------------------------------------------------------------------------------------------------------------------------------------------------------------------------------------------------------------------------------------------------------------------------------------------------------------------------------------------------------------------------------------------------------------------------------------------------------------------------------------------------------------------------------------------------------------------------------------------------------------------------------------------------------------------------------------------------------------------------------------------------------------------------------------------------------------------------------------------------------------------------------------------------------------------------------------------------------------------------------------------------------------------------------------------------------------------------------------------------------------------------------------------------------------------------------------------------------------------------------------------------------------------------------------------------------------------------------------------------------------------------------------------------------------------------------------------------------------------------------------------------------------------------------------------------------------------------------------------------------------------------------------------------------------------------------------------------------------------------------------------------------------------------------------------------------------------------------------------------------------------------------------------------------------------------------------------------	--