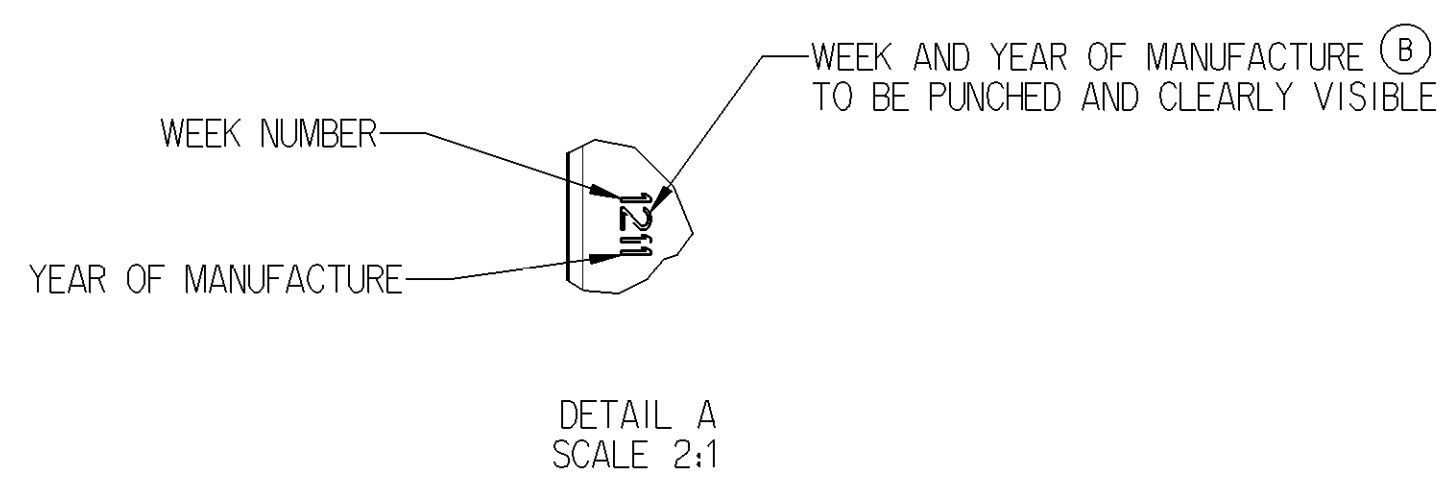
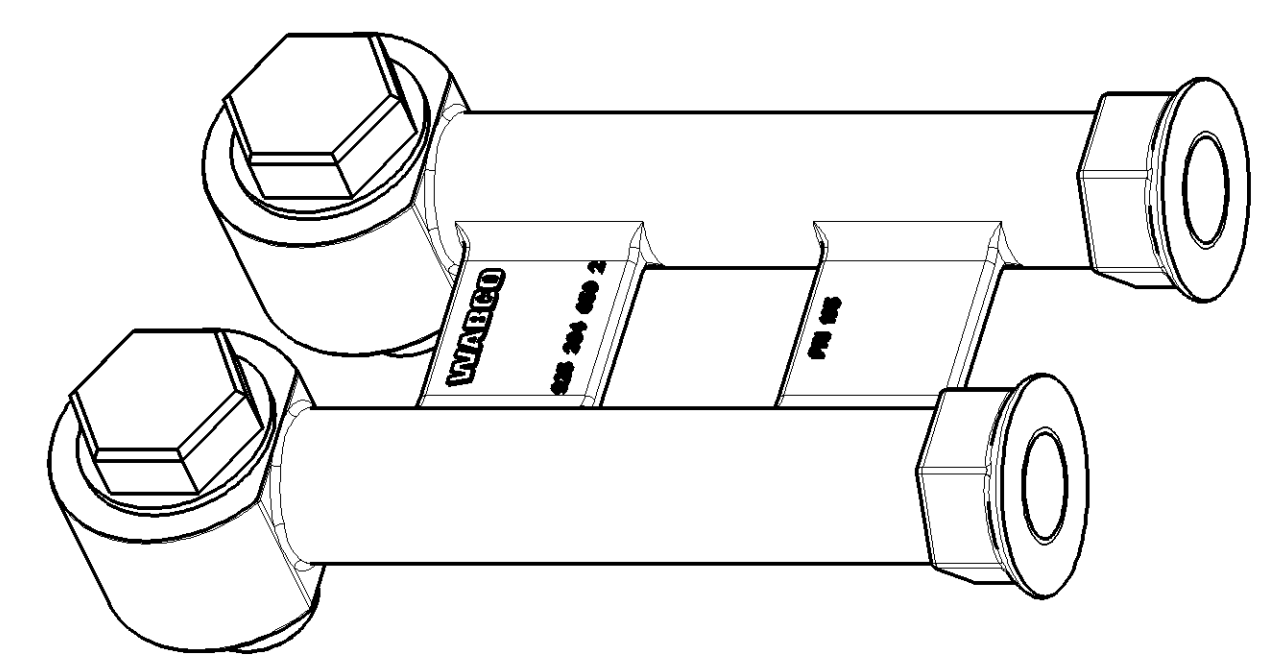
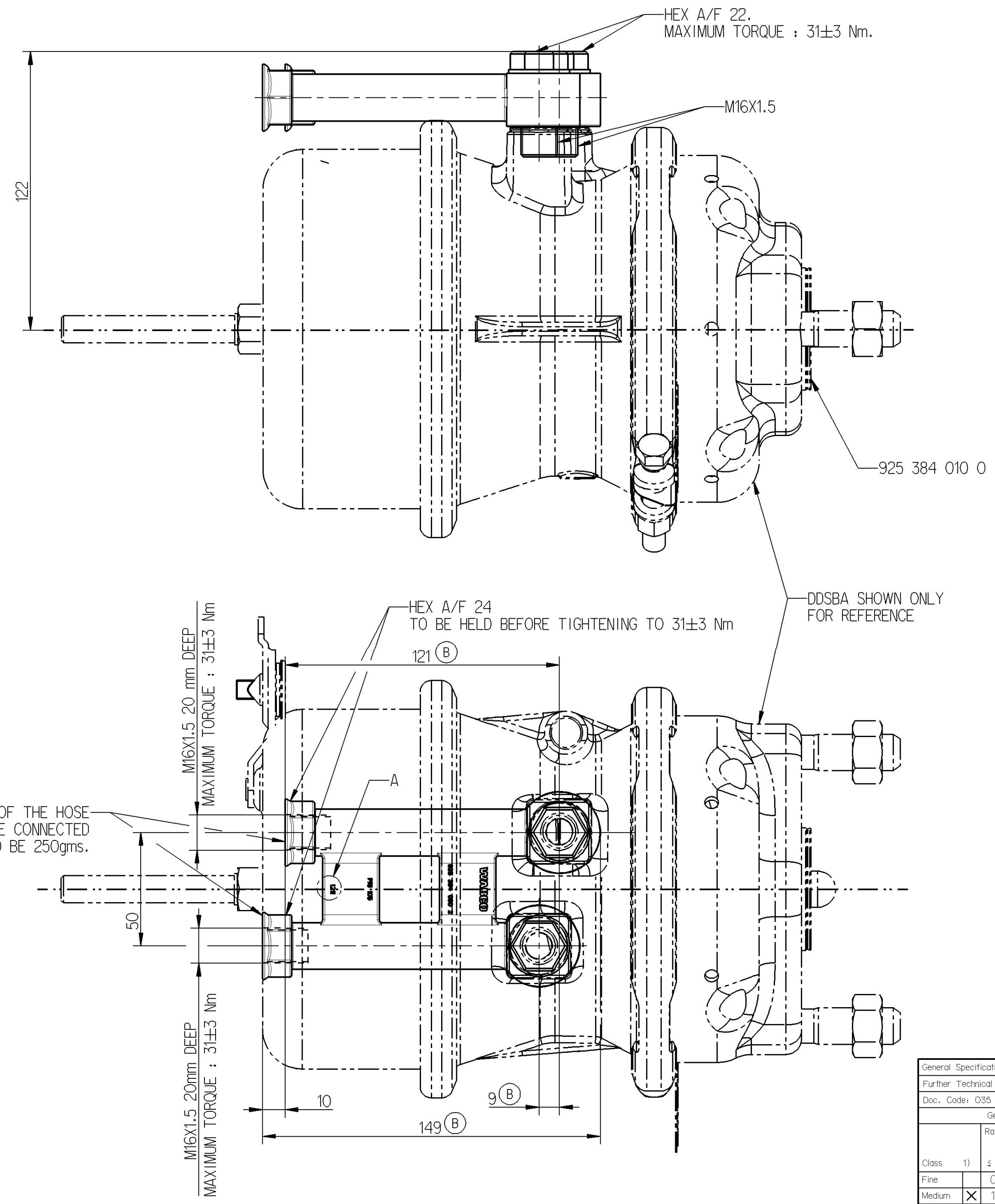


Non è permesso consegnare o terzi o riprodurre questo documento, ne utilizzare il contenuto o renderlo comunque noto a terzi senza permesso scritto dalla WABCO. È vietata espressamente la ristampa o l'uso non autorizzato senza permesso scritto dalla WABCO. E' fatto riserva di tutti i diritti, espressi o non, di brevetto o di marchio. Copying of this document and giving it to others and the use or communication of the contents thereof, are forbidden without express written permission from WABCO. The reproduction or communication of the contents of this document to third parties without express written permission from WABCO are reserved in the event of the grant of patent or registration of a utility model or design. This document is the subject of copyright.

Toute communication ou reproduction de ce document, toute exploitation ou communication de son contenu sont interdites, sauf autorisation expresse. Tout emprunt ou toute réimpression ou tout usage non autorisé est expressément interdit sans la permission écrite de WABCO. Toute utilisation non autorisée de ce document est formellement interdite. Toute réimpression ou utilisation non autorisée sans la permission écrite de WABCO est formellement interdite. E' fait réserve de tous droits de brevet ou de marque. Weitergabe sowie Vervielfältigung dieser Unterlagen, Verwertung und Mitteilung ihres Inhalts nicht gestattet, soweit nicht ausdrücklich zugestimmt. Zuwiderhandlungen stellen einen strafrechtlichen Missbrauch dar und verpflichten zu Schadensersatz. Alle Rechte für den Fall der Patentierung oder Gebrauchsmuster-Eintragung vorbehalten.



|  |      |                  |             |                 |             |                                 |
|--|------|------------------|-------------|-----------------|-------------|---------------------------------|
| General Specification: JED-334-0       |      | Copyright WABCO® |             | <b>WABCO</b>    |             |                                 |
| Further Technical Data: 925 380 050 2  |      | Date             | Signature   |                 |             |                                 |
| Doc. Code: 035                         |      | Sheet: 1 To 2    |             | 2011-04-28      | Agarwal     | K P NAGARAJAN                   |
| General Tolerances JED-261             |      |                  |             | 2011-04-28      | K-Ponnusamy |                                 |
| Range of Nominal Dimensions ( ± mm )   |      |                  |             | Expert          |             |                                 |
| Class 1)                               | ≤ 50 | > 50 ≤ 180       | > 180 ≤ 400 | > 400           | ∇           |                                 |
| Fine                                   | 0.5  | 1.0              | 1.5         | 2.0             | ±3°         |                                 |
| Medium                                 | 1.0  | 2.0              | 3.0         | 4.0             |             |                                 |
| Coarse                                 | 2.0  | 3.5              | 5.0         | 6.5             |             |                                 |
| Tapped Holes acc.                      |      |                  |             | Material No.    |             | Date of first issue: 2010-10-12 |
| 1) Tolerance Class Applied Crossmarked |      |                  |             | Mtss            | Scale       | Doc.Code                        |
|  |      |                  |             | 0.350           | 7:10        | 005                             |
|  |      |                  |             | Size            | CAD System  | EN                              |
|  |      |                  |             | A 2             | Pro/E       | 1/1                             |
|  |      |                  |             | ECN-No.         | Revision    | Techn. Resp.                    |
|  |      |                  |             | 154875          | 5 B         | 5421                            |
|  |      |                  |             | Replacement for |             |                                 |
|  |      |                  |             | 100mm           |             |                                 |