

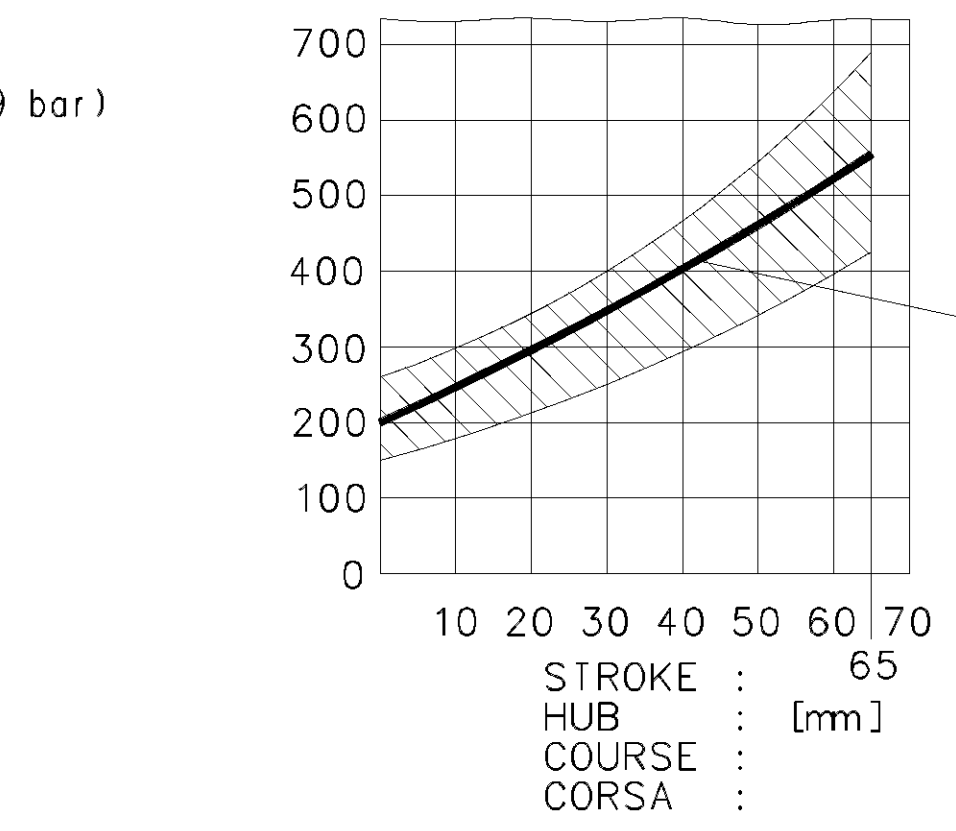
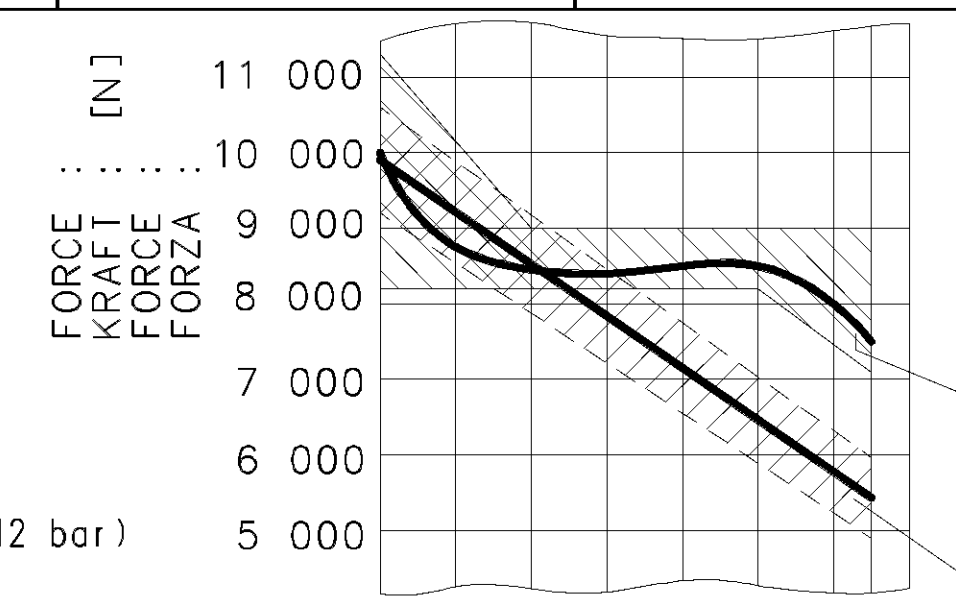
SURFACE PROTECT. / OBERFL. SCHUTZ
I JED-240-4
II JED-256-1
III JED-371
IV AI / JED-259
V GUMMI / KUNSTSTOFF
VI JED-240-3

MEDIUM : AIR
MEDIUM : LUFT
FLUIDE : AIR
FLUIDO : ARIA

NOMINAL DIAMETER :
NENNWEITE : MIN \varnothing 8.5mm
DIAMETRE NOMINAL :
DIAMETRO NOMINALE :

THERMAL RANGE OF APPLICATION :
THERMISCHER ANWENDUNGSBEREICH : -45 °C...+80 °C
GAMME D'APPLICATION THERMIQUE :
CAMPO DI APPLICAZIONE TERMICA :

PORT : SERVICE BRAKING SYSTEM, WORKING PRESSURE
ANSCHLUSS : BETRIEBSBREMSANLAGE, BETRIEBSDRUCK : Pe max. = 10 bar (TEMPORARILY : (KURZZEITIG : Pe max. = 12 bar)
ORIFICE : DISPOSITIF DE FREINAGE DE SERVICE, PRESSION D'UTILISATION : (DE COURTE DUREE : (BREVE TEMPO SOLO :
ORIFIZIO : DISPOSITIVO DI FRENATURA DI SERVIZIO, PRESSIONE DI ESERCIZIO : (BREVE TEMPO SOLO :
PORT : SPRING BRAKE CYLINDER, WORKING PRESSURE
ANSCHLUSS : FEDERSPEICHERZYLINDER, BETRIEBSDRUCK : Pe max. = 8.5 bar (TEMPORARILY : (KURZZEITIG : Pe max. = 9 bar)
ORIFICE : CYLINDRE A RESSORT, PRESSION D'UTILISATION : (DE COURTE DUREE : (BREVE TEMPO SOLO :
ORIFIZIO : CILINDRO A MOLLA, PRESSIONE DI ESERCIZIO : (BREVE TEMPO SOLO :



AIR VOLUME OF SERVICE BRAKE PART AT 2/3 OF ITS STROKE
HUBVOLUMEN DES BETRIEBSBREMSTEILES BEI 2/3 HUB
VOLUME D'AIR DU DISPOSITIF DU FREIN DE SERVICE A 2/3 DE LA COURSE
VOLUME D'ARIA DELLA SEZIONE DI FRENO DI SERVIZIO A 2/3 DELLA CORSA : ~ 0.8x10³cm³

AIR VOLUME OF SPRING BRAKE PART
HUBVOLUMEN DES FEDERSPEICHERS
VOLUME D'AIR DU DISPOSITIF RESSORT
VOLUME D'ARIA DELLA SEZIONE A MOLLA : ~ 1.4x10³cm³

OUTPUT FORCE OF SERVICE BRAKE PART AT
KRAFTABGABE DES BETRIEBSBREMSTEILES BEI
EFFORT DE POUSSEE DU DISPOSITIF DU FREIN DE SERVICE SOUS
FORZA DI SPINTA DELLA SEZIONE DI FRENO DI SERVIZIO PER : 6.0 bar

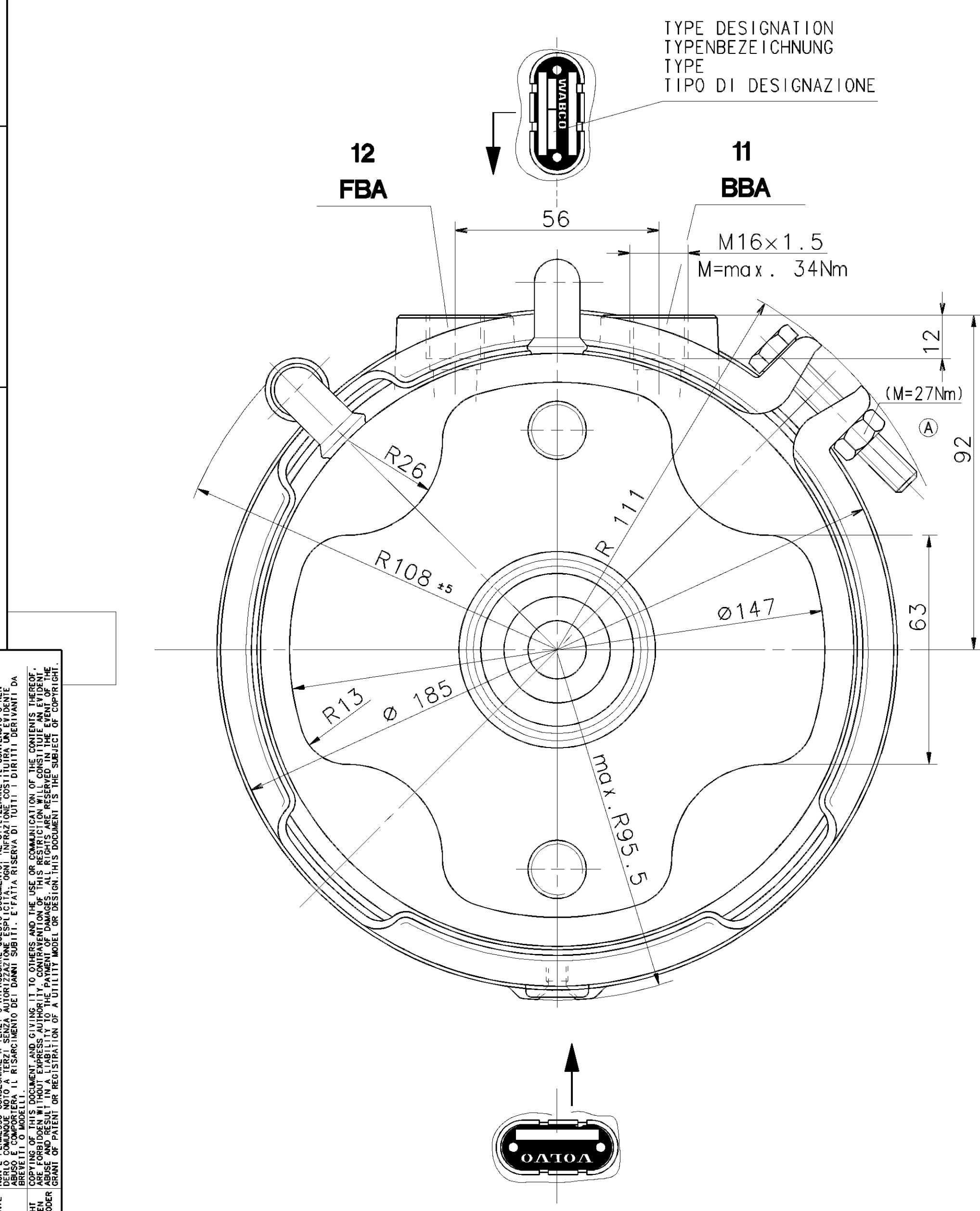
OUTPUT FORCE OF SPRING BRAKE PART, RELEASE PRESSURE
KRAFTABGABE DES FEDERSPEICHERS, LOESEDRUCK
EFFORT DE POUSSEE DU DISPOSITIF RESSORT, PRESSION DE DESERRAGE : pe max 5.3 bar

FORCE OF RETURN SPRING OF SERVICE BRAKE PART
RUECKSTELLFEDERKRAFT DES BETRIEBSBREMSTEILES
EFFORT DU RESSORT DE RAPPEL DU DISPOSITIF DU FREIN DE SERVICE
FORZA DELLA MOLLA DI RITORNO DELLA SEZIONE DI FRENO DI SERVIZIO

*) DEFLECTION: AT STROKE
AUSLENKUNG: max .8° BEI HUB 0 mm
DEFLEXION: A COURSE
DEVIACIONE: A CORSA

**) SEALING SURFACE
DICHTFLAECHE
SURFACE D' ETANCHEITE
SUPERFICI DI TENUTA

***) OUT OF PLANE
VERSEITZT GEZEICHNET
AU DEHORS DU PLAN DE PROJECTION
AL DI FUORI DEL PIANO DI PROIEZIONE

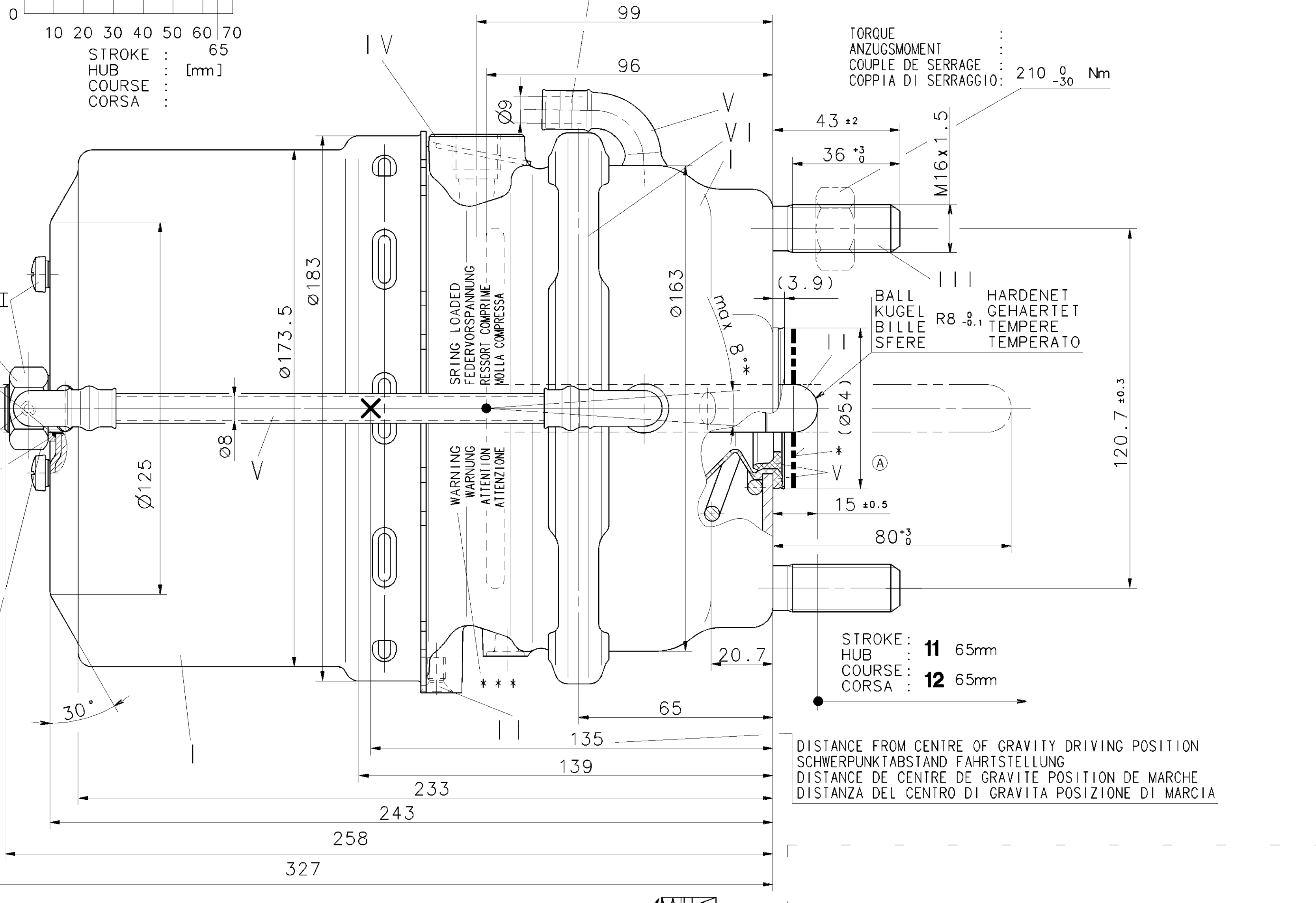


RELEASE POSITION
LOESESTELLUNG
POSITION DE DESERRAGE
POSIZIONE DI RILASCIO

SW 24
M=25*²⁰Nm

M=15*²⁰Nm

STATE AS SUPPLIED
ANLIEFERUNGSZUSTAND
ETAT DE LIVRAISON
STATO DI CONSEGNA



STROKE : 11 65mm
HUB : 12 65mm
COURSE : 12 65mm
CORSA : 12 65mm

DISTANCE FROM CENTRE OF GRAVITY DRIVING POSITION
SCHWERPUNKTABSTAND FAHRSTELLUNG
DISTANCE DE CENTRE DE GRAVITE POSITION DE MARCHÉ
DISTRANZA DEL CENTRO DI GRAVITA POSIZIONE DI MARCIA

TOUTE REPRODUCTION DE CE DOCUMENT, TOUTE EXPLOITATION OU COMMUNICATION DE SON CONTENU, sans autorisation écrite préalable de WABCO, est formellement interdite.

ALL RIGHTS RESERVED. ANY REPRODUCTION, DISTRIBUTION OR COMMUNICATION OF THIS DOCUMENT, IN WHOLE OR IN PART, WITHOUT THE WRITTEN PERMISSION OF WABCO, IS EXPRESSLY FORBIDDEN.

TODI COMUNICAZIONE, TUTTA ESPLOITAZIONE, TUTTA COPIONE, NE UTILIZZARE IL CONTENUTO O RENDERE ACCESSIBILE IL CONTENUTO ALTERNATIVAMENTE, SENZA IL CONSENSO SCRITTO DI WABCO, E' FORMALMENTE VIETATA.

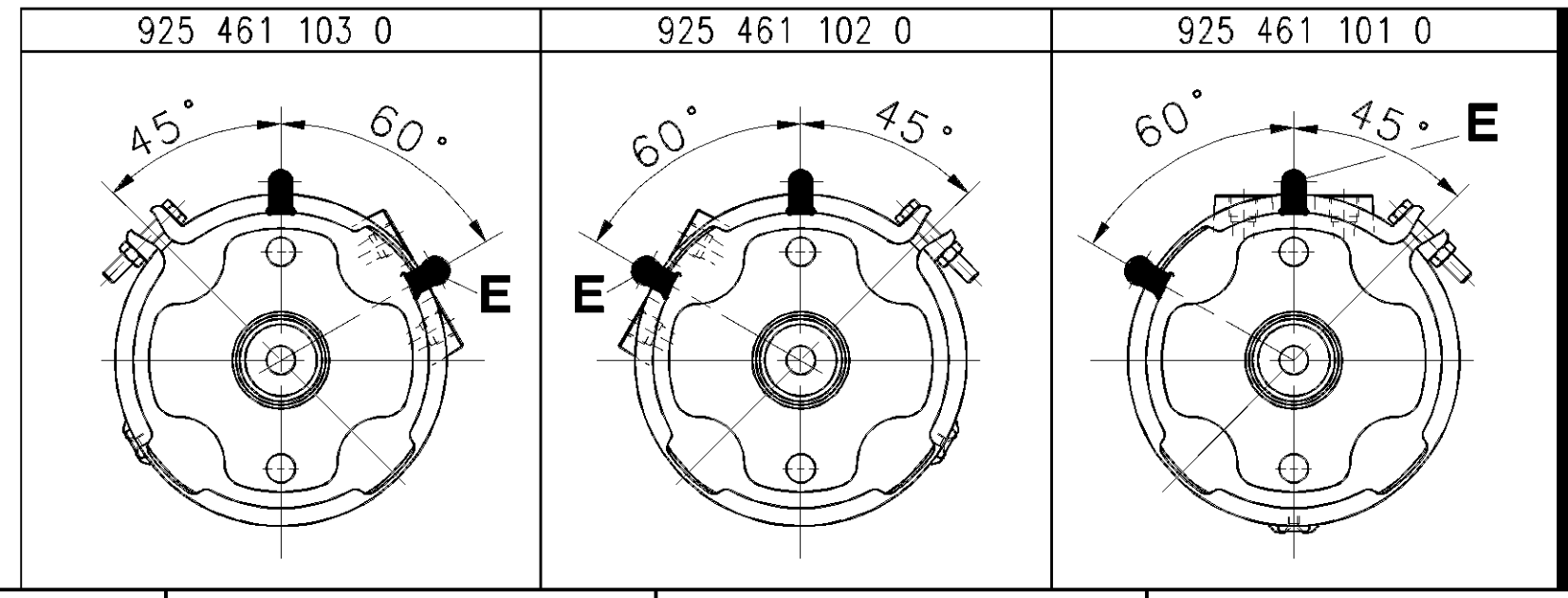
ALL RIGHTS RESERVED. ANY REPRODUCTION, DISTRIBUTION OR COMMUNICATION OF THIS DOCUMENT, IN WHOLE OR IN PART, WITHOUT THE WRITTEN PERMISSION OF WABCO, IS EXPRESSLY FORBIDDEN.

WABCO IS NOT RESPONSIBLE FOR THE CONSEQUENCES OF THE USE OF THE INFORMATION CONTAINED IN THIS DOCUMENT IN THE ABSENCE OF THE NECESSARY TECHNICAL EXPERTISE AND SKILL.

WABCO IS NOT RESPONSIBLE FOR THE CONSEQUENCES OF THE USE OF THE INFORMATION CONTAINED IN THIS DOCUMENT IN THE ABSENCE OF THE NECESSARY TECHNICAL EXPERTISE AND SKILL.

WABCO IS NOT RESPONSIBLE FOR THE CONSEQUENCES OF THE USE OF THE INFORMATION CONTAINED IN THIS DOCUMENT IN THE ABSENCE OF THE NECESSARY TECHNICAL EXPERTISE AND SKILL.

HAUPTANSICHTEN BEZIEHEN SICH NUR AUF DIE ABMESSUNGEN
POSITION DER BAUTEILE SIEHE ABWANDLUNGSDARSTELLUNGEN



GENERAL SPECIFICATION: JED-334
FURTHER TECHNICAL DATA: SHEET: 10

DOC. CODE: 925 461 103 0 20466072
925 461 102 0 20466071
925 461 101 0 20466070

WABCO CUSTOMER'S NO. KUNDEN-NR. No. CLIENT No. CLIENTE

IDENTIFICATION

GENERAL TOLERANCES
RANGE OF NOMINAL DIMENSIONS (± mm)

CLASS	1)	> 50	> 180	> 400	> 400
FINE		0,5	1,0	1,5	2,0
MEDIUM	X	1,0	2,0	3,0	4,0
COARSE		2,0	3,5	5,0	6,5

TAPPED HOLES ACC. ISO 4039 / JED-152
TAPPED HOLES ACC. ISO 4039 / JED-152

082132 3x A 01-12-07
DCN-NO. REV. DATE

CADAM-SEALING COPYRIGHT WABCO
DATE SIGNATURE
DRAWN: 01-10-17 Weber
CHECKED: 01-10-17 Unger
STANDARDIZATION: CYLINDRE-TRISTOP®
CILINDRO-TRISTOP®

MASS SCALE 8.4 kg 1:1
SIZE 1:1

PRODUCT IDENTIFICATION NO. 925 461 109 0
DOC. CODE 653
SHEET 1/1

REPLACEMENT FOR

SHAPE CODE

EXPERT CODE 7|2|3
PRODUCT TYPE 010X