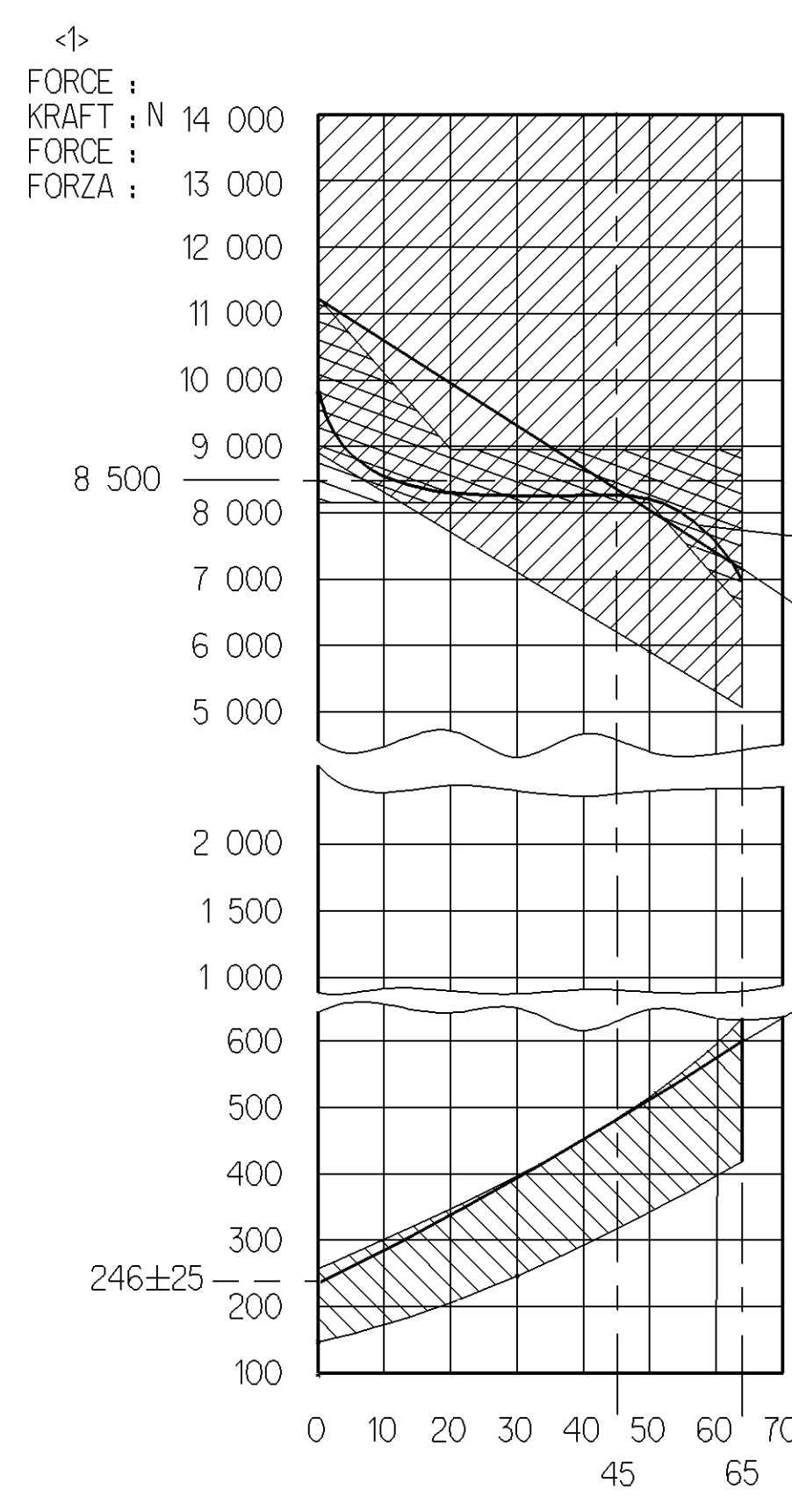


SURFACE PROTECT. OBERFL. SCHUTZ		MEDIUM : AIR MEDIUM : LUFT FLUIDO : ARIA	NOMINAL DIAMETER : NENNWEITE : MIN Ø8.5 DIAMETRO NOMINALE : DIAMETRO NOMINALE :	WIDTH ACROSS FLATS SW = SCHLÜSSELWEITE SURPLATS LARGHEZZA IN CHIAVE
I	JED-240-4	THERMAL RANGE OF APPLICATION : THERMISCHER ANWENDUNGSBEREICH : GAMME D'APPLICATION THERMIQUE : CAMPO TERMICO D'APPLICAZIONE :		
II	JED-256-1	PORT : SERVICE BRAKING SYSTEM, WORKING PRESSURE : (TEMPORARILY : ANSCHLUSS : 11 BETRIEBSBREMSANLAGE, BETRIEBSDRUCK : (KURZZEITIG : Pe max. = 10.2 bar ORIFICE : DISPOSITIF DE FREINAGE DE SERVICE, PRESSION D'UTILISATION : (DE COURTE DUREE : (BREVE TEMPO SOLO : ORIFIZIO : DISPOSITIVO DI FRENATURA DI SERVIZIO, PRESSIONE DI ESERCIZIO :		
III	JED-371	PORT : SPRING BRAKE CYLINDER, WORKING PRESSURE : (TEMPORARILY : ANSCHLUSS : 12 FEDERSPEICHERZYLINDER, BETRIEBSDRUCK : (KURZZEITIG : Pe max. = 8.5 bar ORIFICE : CYLINDRE A RESSORT, PRESSION D'UTILISATION : (DE COURTE DUREE : (BREVE TEMPO SOLO : ORIFIZIO : CILINDRO A MOLLA, PRESSIONE DI ESERCIZIO :		
IV	AL . JED-259			
V	RUBBER / PLASTIC			
VI	MS			
VII	JED-240-2			
VIII	JED-378-2			
IX				
TECHNICAL DATA TECHNISCHE DATEN				
X				
XI				



AIR VOLUME OF SERVICE BRAKE PART AT 2/3 OF ITS STROKE
HUBVOLUMEN DES BETRIEBSBREMSTEILES BEI 2/3 HUB
VOLUME D'AIR DU DISPOSITIF DU FREIN DE SERVICE A 2/3 DE LA COURSE
VOLUME D'ARIA DELLA SEZIONE DI FRENO DI SERVIZIO A 2/3 DELLA CORSA : ca. 0.80x10³ cm³

AIR VOLUME OF SPRING BRAKE PART
HUBVOLUMEN DES FEDERSPEICHERS
VOLUME D'AIR DU DISPOSITIF RESSORT
VOLUME D'ARIA DELLA SEZIONE A MOLLA : ca. 1.4x10³ cm³

OUTPUT FORCE OF SERVICE BRAKE PART AT 2/3 OF ITS STROKE
KRAFTABGABE DES BETRIEBSBREMSTEILES BEI 2/3 HUB
EFFORT DE POUSSEE DU DISPOSITIF DU FREIN DE SERVICE A 2/3 DE LA COURSE
FORZA DI SPINTA DELLA SEZIONE DI FRENO DI SERVIZIO PER : 6.0 bar

OUTPUT FORCE OF SPRING BRAKE PART, RELEASE PRESSURE
KRAFTABGABE DES FEDERSPEICHERS, LOESEDRUCK
EFFORT DE POUSSEE DU DISPOSITIF RESSORT, PRESSION DE DESSERRAGE
FORZA DI SPINTA DELLA SEZIONE A MOLLA, PRESSIONE DI RILASCIO : pe 5.5 ± 0.3 bar

FORCE OF RETURN SPRING OF SERVICE BRAKE PART
RUECKSTELLFEDERKRAFT DES BETRIEBSBREMSTEILES
EFFORT DU RESSORT DE RAPPEL DU DISPOSITIF DU FREIN DE SERVICE
FORZA DELLA MOLLA DI RITORNO DELLA SEZIONE DI FRENO DI SERVIZIO

SUITABLE FOR FORDING
WATFAEHRIG
APTE AU PASSAGE A GUE
IMPERMEABILE ALL' IMMERSIONE

SEALING SURFACE
DICHTFLAECHE
SURFACE D' ETANCHEITE
SUPERFICIE DI TENUTA

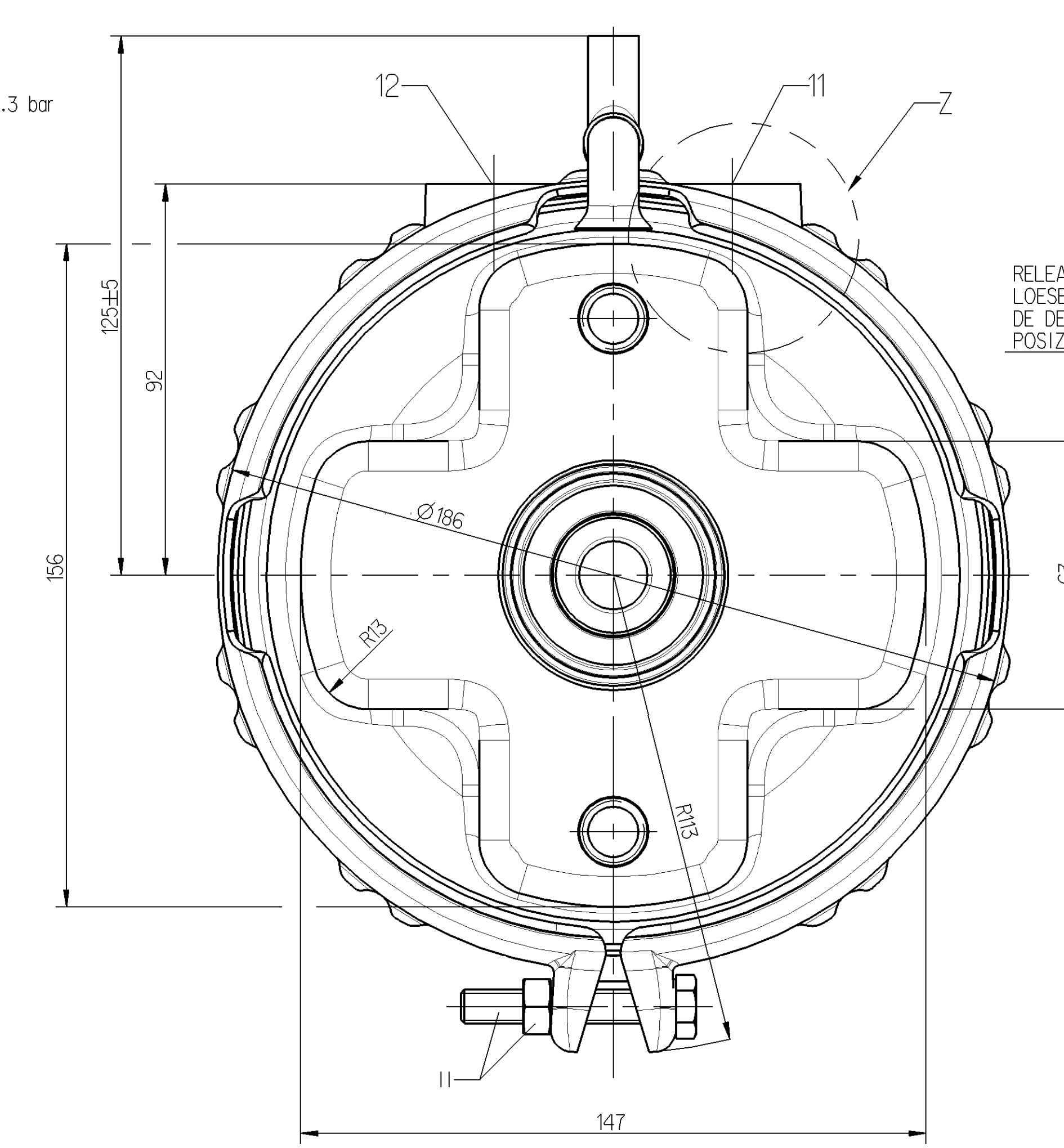
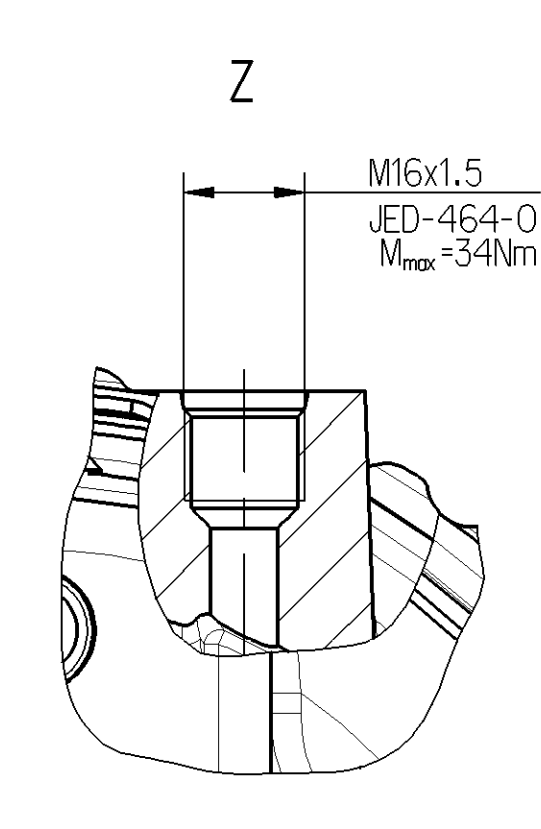
DEFLECTION : max. 8° AT STROKE
AUSLENKUNG : max. 8° BEI HUB
DEFLEXION : A A COURSE
DEVIATIONE : A A CORSA

INSTALLATION POSITION : OPTIONAL
EINBULAGE : BELIEBIG
POSITION D'INSTALLATION : A VOLONTE
POSIZIONE DI MONTAGGIO : A SELTA

DELIVERY
ANLIEFERUNG
LIVRAISON
FORNITURA

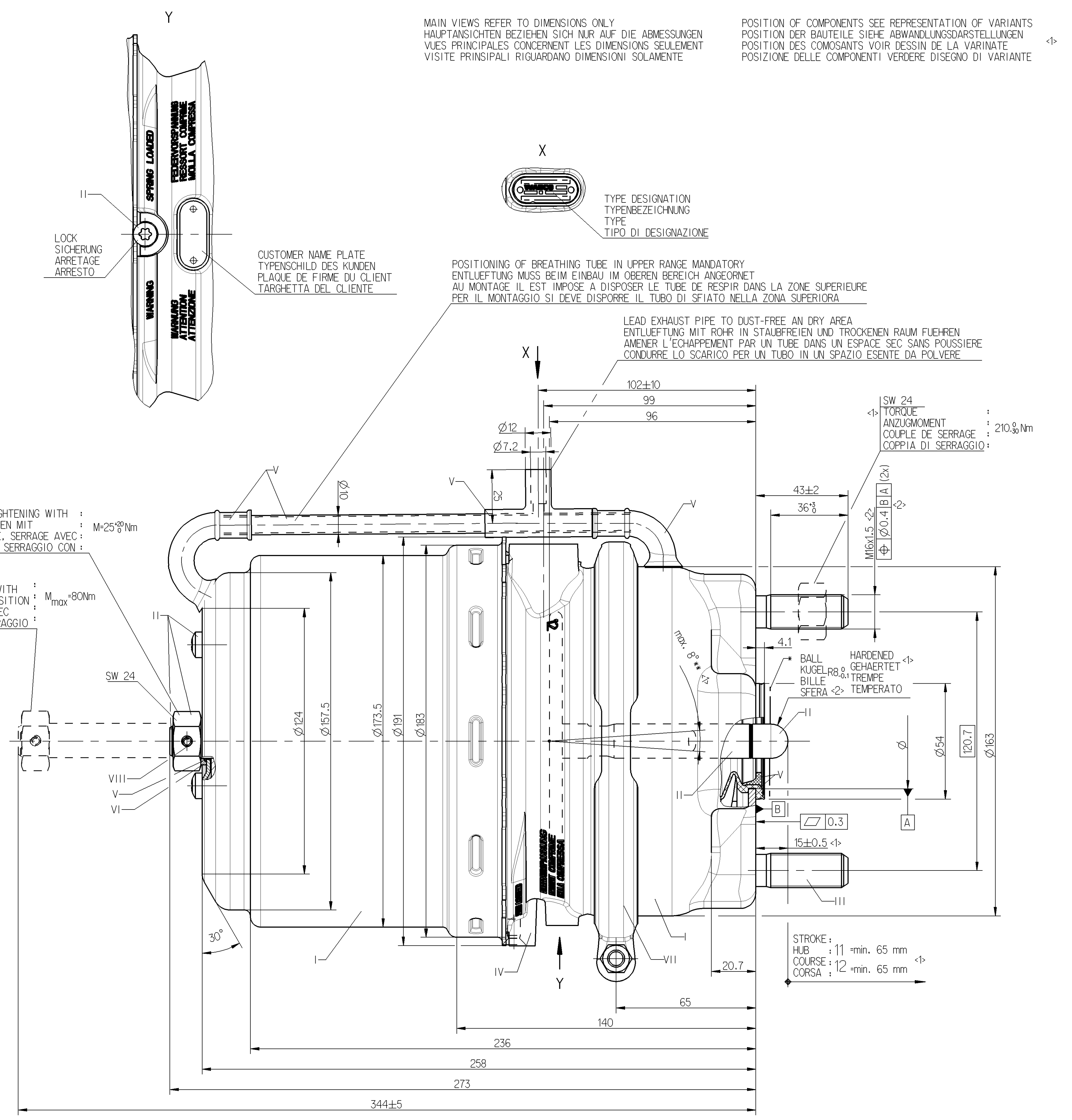
RELEASE POSITION
LOESESTELLUNG
POSITION DE DESSERRAGE
POSIZIONE DI RILASCIO

DRIVING POSITION
FAHRTSTELLUNG
POSITION DE MARCHE
POSIZIONE DI MARCIA



DRIVING POSITION, TIGHTENING WITH :
FAHRTSTELLUNG, ANZIEHEN MIT : M=25 Nmm
POSITION DE CONDUITE, SERRAGE AVEC :
POSIZIONE DI MARCIA, SERRAGGIO CON :

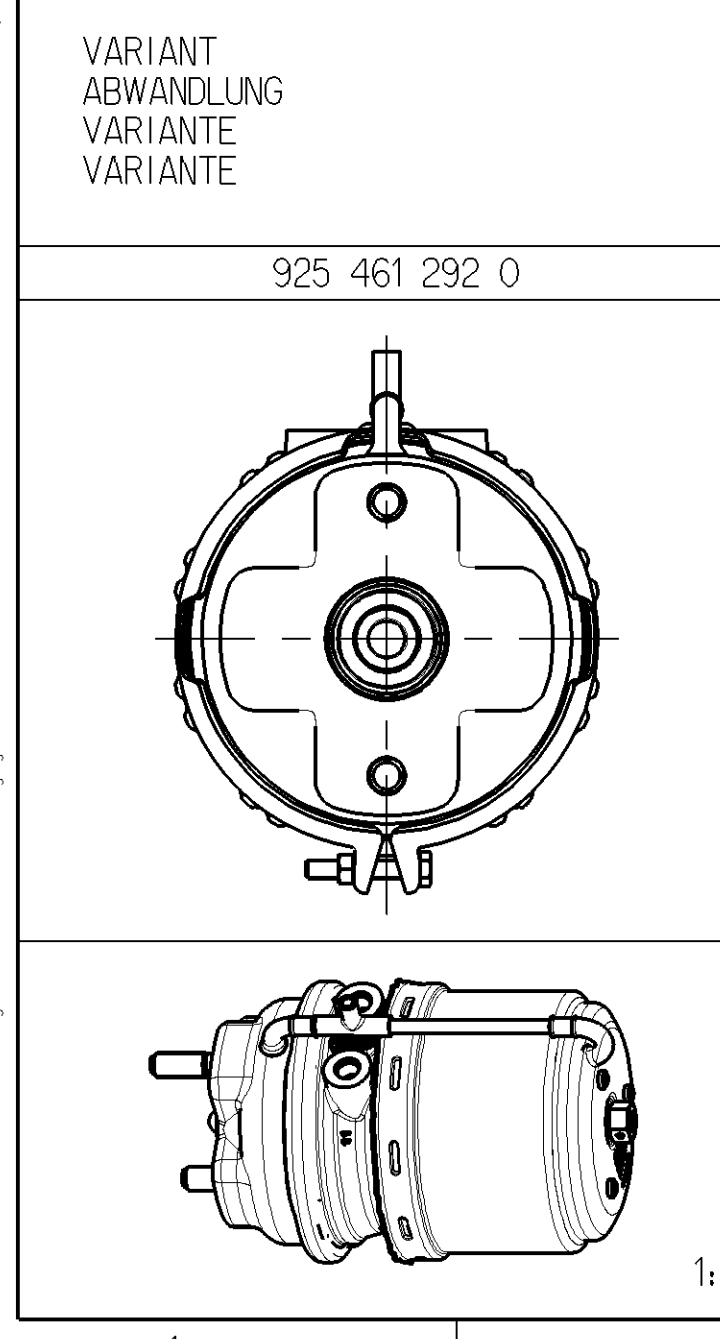
RELEASE POSITION, RELEASING WITH :
LOESESTELLUNG, LOESEN MIT POSITION : Mmax=80Nm
DE DESSERRAGE, DESSERRAGE AVEC :
POSIZIONE DI RILASCIO, DISSERRAGGIO :



MAIN VIEWS REFER TO DIMENSIONS ONLY
HAUPTANSICHTEN BEZIEHEN SICH NUR AUF DIE ABMESSUNGEN
VUES PRINCIPALES CONCERNENT LES DIMENSIONS SEULEMENT
VISITE PRINCIPALI RIGUARDANO DIMENSIONI SOLAMENTE

POSITION OF COMPONENTS SEE REPRESENTATION OF VARIANTS
POSITION DER BAUTEILE SIEHE ABWANDLUNGSDARSTELLUNGEN
POSITION DES COMPOSANTS VOIR DESSIN DE LA VARIANTE
POSIZIONE DELLE COMPONENTI VERDERE DISEGNO DI VARIANTE

This document is the property of WABCO. It is not to be distributed outside the company. It is not to be used for any other purpose. It is not to be reproduced, stored in a retrieval system, or transmitted in any form or by any means, electronic, mechanical, photocopying, recording, or by any information storage and retrieval system. WABCO is not responsible for any damage or loss of data caused by the use of this document. WABCO is not responsible for any damage or loss of data caused by the use of this document. WABCO is not responsible for any damage or loss of data caused by the use of this document.



925 461 292 0	

DP-07-05/GRUP

10 -> SAFETY CHARACTERISTIC
SICHERHEITSMERKMAL
CARACTERISTIQUE DE SECURITE
CARATTERISTICA DI SICUREZZA

6 -> SIGNIFICANT CHARACTERISTIC
WESENTLICHES MERKMAL
CARACTERISTIQUE SIGNIFIANTE
CARATTERISTICA SIGNIFICATIVA

925 461 292 0	21869990	24/24	9.3
WABCO	CUSTOMER'S NO. KUNDEN-NR. No. CLIENTE	TYPE TYP TIPO	MASS GEWICHT MASSE MASSA (kg)

General Specification: ED-354-0	Customer: Mjowski	WABCO
Further Technical Data:	Doc. Code: 2011-11-28	TRISTOP®-CYLINDER TRISTOP®-ZYLINDER CYLINDRE-TRISTOP® CILINDRO-TRISTOP®
Range of Nominal Dimensions (d, mm):	2011-12-01	925 461 292 0
Class: 11 ± 50	2011-12-01	005 ML 1/1
Flow: 0.5, 1.0, 1.5, 2.0	2011-12-01	884 06 588 0
Medium: X 1.0, 2.0, 3.0, 4.0	2011-12-01	
Course: 2.0, 3.5, 5.0, 6.5	2011-12-01	