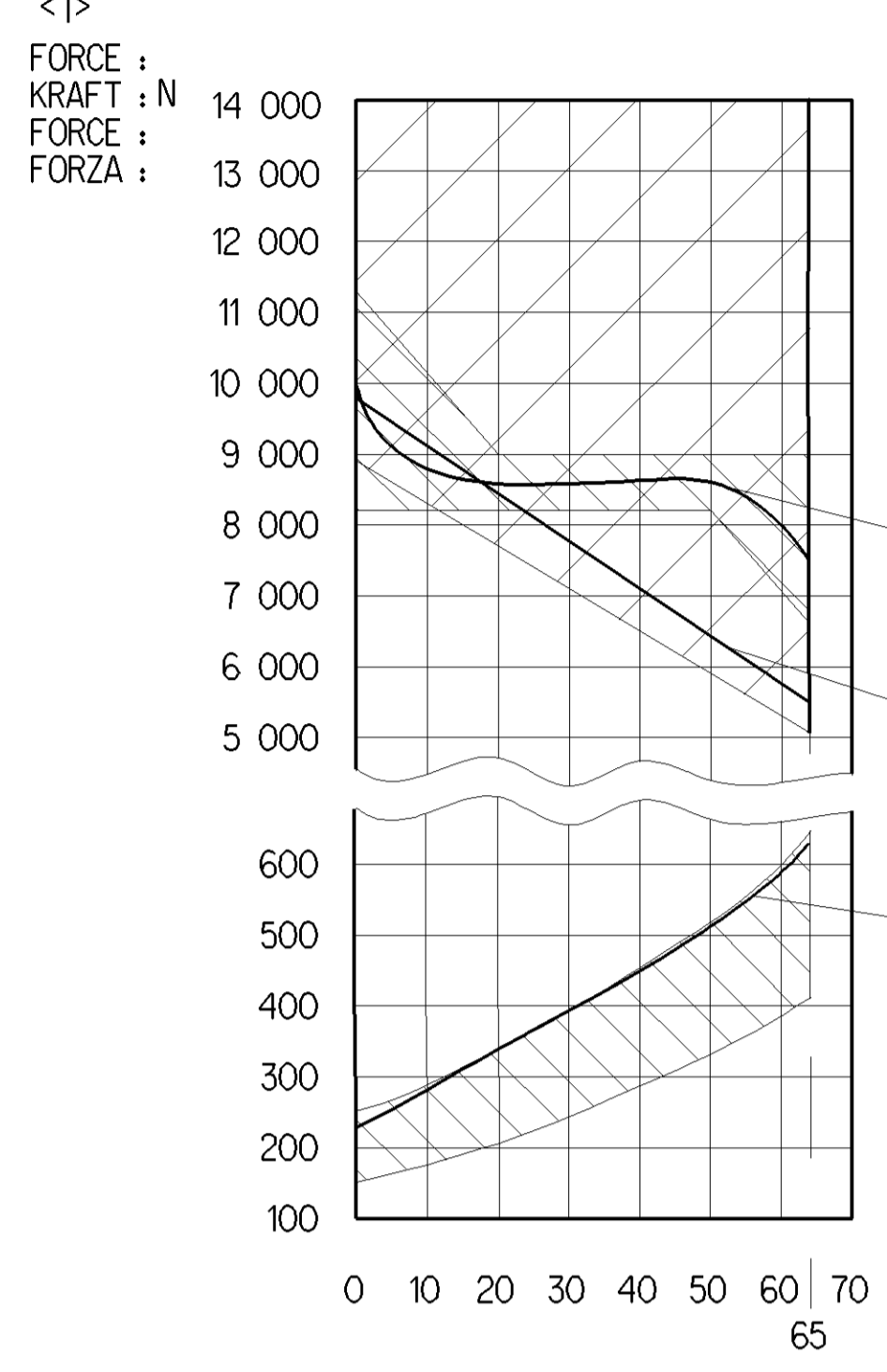
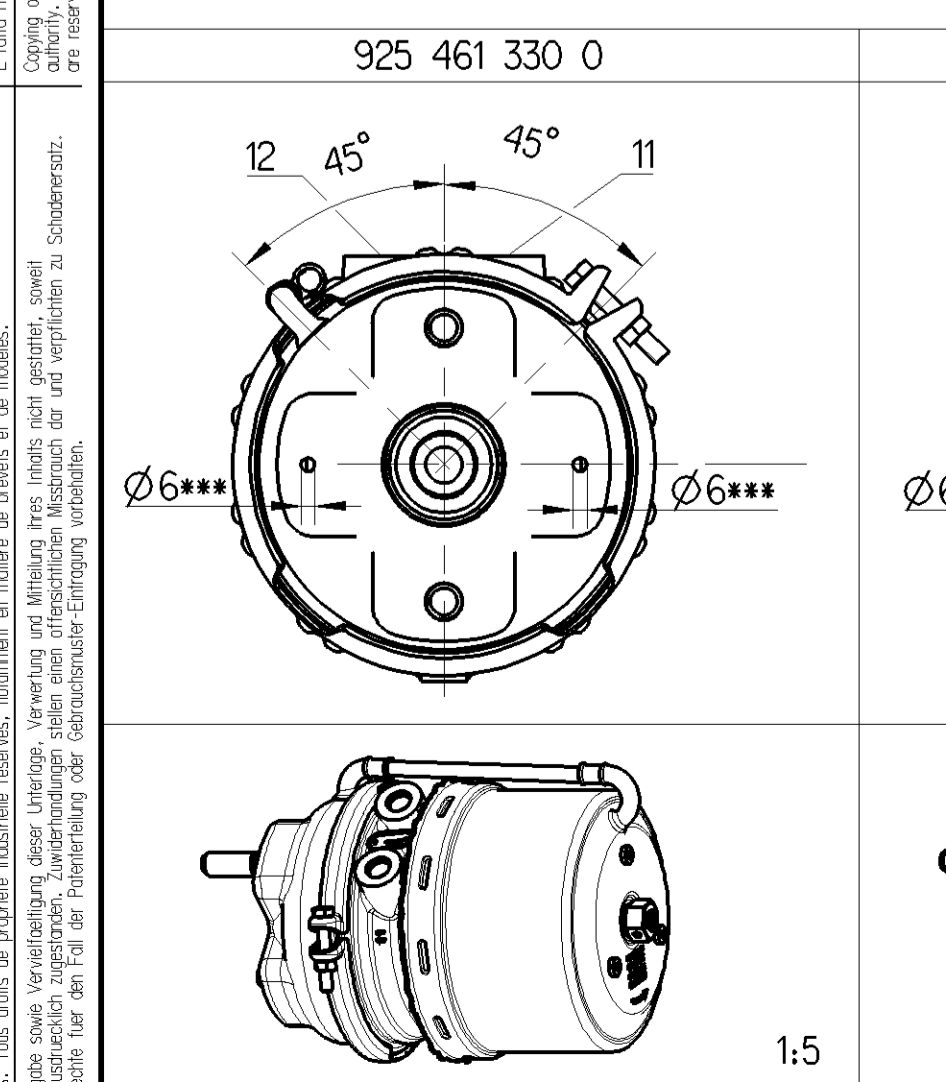


SURFACE PROTECT. OBERFL. SCHUTZ		MEDIUM : AIR	NOMINAL DIAMETER : MIN Ø8.5	WIDTH ACROSS FLATS SW SCHLÜSSELWEITE
I JED-240-4		MEDIUM : LUFT	DIAMETRE NOMINAL : MIN Ø8.5	SW SURPLATS
II JED-256-1		FLUIDE : AIR	DIAMETRO NOMINALE :	LARGHEZZA IN CHIAVE
III JED-371		THERMAL RANGE OF APPLICATION : THERMISCHER ANWENDUNGSBEREICH : -40°C...+80°C <1>		
IV AL., JED-259		GAMME D'APPLICATION THERMIQUE : CAMPO DI APPLICAZIONE TERMICA :		
V RUBBER/PLASTIC		PORT : SERVICE BRAKING SYSTEM, WORKING PRESSURE		
VI MS		ANSCHLUSS : 11 BETRIEBSBREMSEANLAGE, BETRIEBSDRUCK : Pe max. = 10.2 bar (TEMPORARILY : Pe max. = 13 bar)		
VII JED-240-2		ORIFICE : 12 DISPOSITIF DE FREINAGE DE SERVICE, PRESSION D'UTILISATION : (DE COURTE DUREE : (BREVE TEMPO SOLO :		
VIII JED-378-2		ORIFIZIO : DISPOSITIVO DI FRENATURA DI SERVIZIO, PRESSIONE DI ESERCIZIO :		
TECHNICAL DATA TECHNISCHE DATEN		PORT : SPRING BRAKE CYLINDER, WORKING PRESSURE		
IX		ANSCHLUSS : 12 FEDERSPEICHERZYLINDER, BETRIEBSDRUCK : Pe max. = 8.5 bar (TEMPORARILY : Pe max. = 11 bar)		
X		ORIFICE : CYLINDRE A RESSORT, PRESSION D'UTILISATION : (DE COURTE DUREE : (BREVE TEMPO SOLO :		
ORIFIZIO : CILINDRO A MOLLA, PRESSIONE DI ESERCIZIO :				



- SEALING SURFACE DICHTFLÄCHE SURFACE D'ÉTANCHÉITÉ SUPERFICII DI TENUTA
- DEFLECTION : max. 8° AT STROKE AUSLENKUNG : max. 8° BEI HUB DEFLICTION : max. 8° A COURSE DEVIATION : max. 8° A CORSA
- CAUTION : BREATHER HOLE; EXHAUST TO BE ENSURED ACHTUNG : ATMUNGSBOHRUNG; FUER VERBINDUNG ZUR ATMOSPHAERE SORGEN ATTENTION : TROU DE RENIFLEUR; ECHAPPEMENT DOIT ETRE GARANTI ATTENZIONE : FORO DI RESPIRATORE; SCARICO DEVE ESSERE GARAN
- SWITCHED POSITION OF PORT 11 AND 12 SCHALSTELLUNGEN VON ANSCHLUSS 11 UND 12 POSITIONS DE L'ORIFICE 11 ET 12 POSIZIONI DELL'ORIFIZIO 11 E 12
- ADMISSIBLE INSTALLATION POSITION : VERTICAL ZULAESSIGE EINBAUWEISE : SENKRECHT POSITION D'INSTALLATION ADMISE : VERTICALE POSIZIONE DI MONTAGGIO AMMESSA : VERTICALE

VARIAVANT ABWANDLUNG VARIANTE



AIR VOLUME OF SERVICE BRAKE PART AT 2/3 OF ITS STROKE : ca. 0.80x10<sup>3</sup> cm<sup>3</sup>

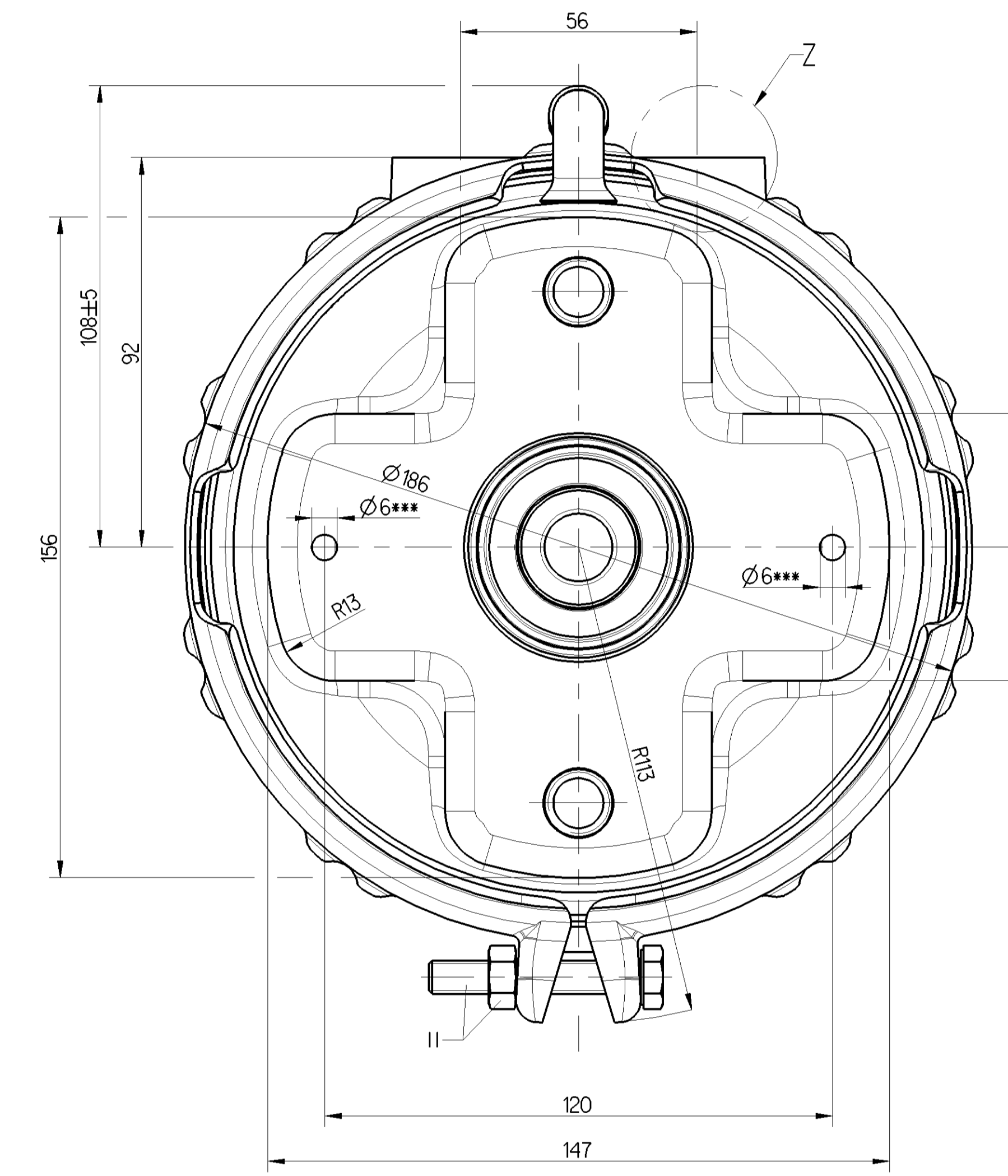
AIR VOLUME OF SPRING BRAKE PART : ca. 1.4x10<sup>3</sup> cm<sup>3</sup>

OUTPUT FORCE OF SERVICE BRAKE PART AT 2/3 OF ITS STROKE : 6.0 bar

OUTPUT FORCE OF SPRING BRAKE PART, RELEASE PRESSURE : pe 5.1±0.3 bar

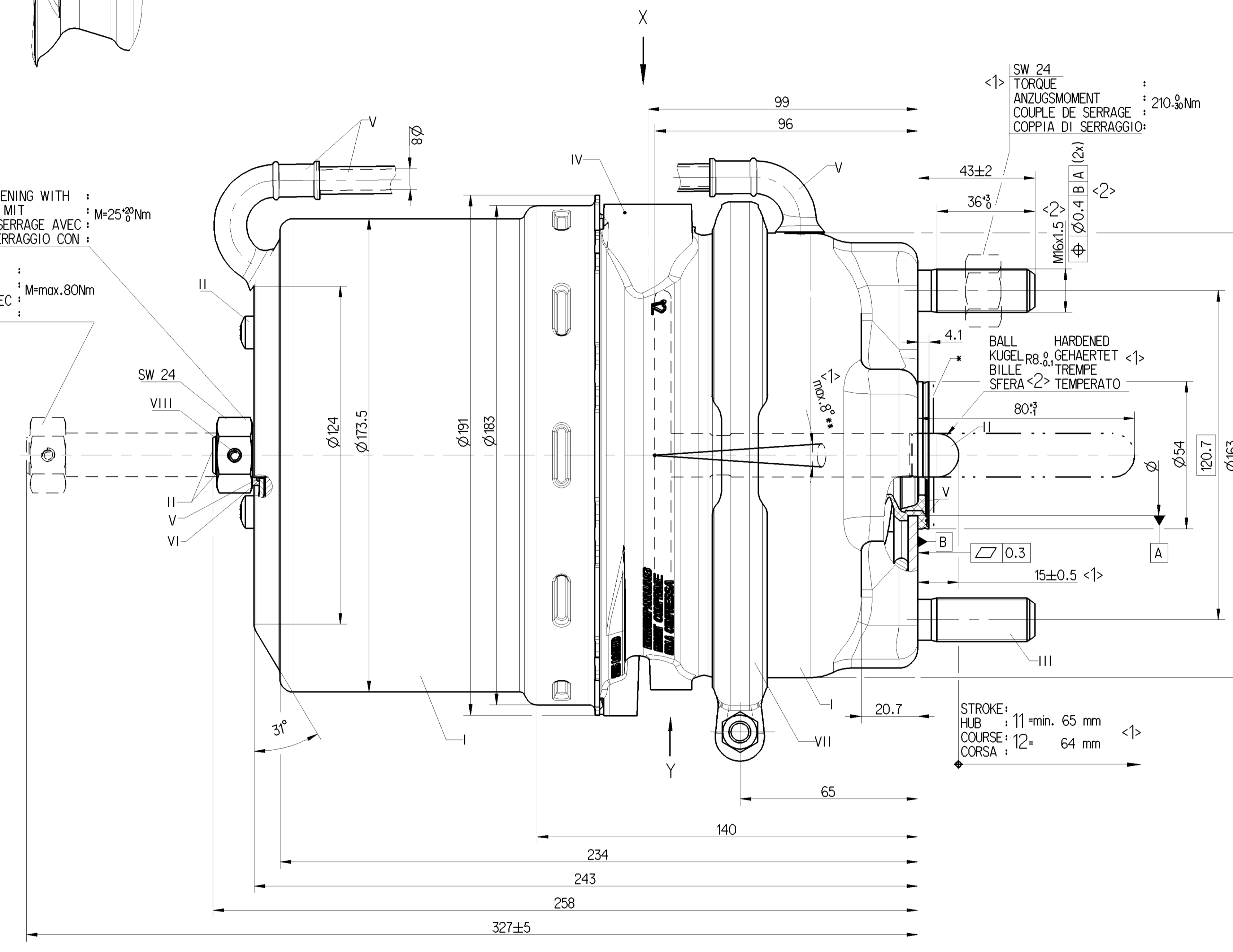
FORCE OF RETURN SPRING OF SERVICE BRAKE PART : M=25±3Nm

FORCE OF RETURN SPRING OF SPRING BRAKE PART : M=25±3Nm



DRIVING POSITION, TIGHTENING WITH : M=25±3Nm

RELEASE POSITION, RELEASING WITH : M=25±3Nm



SAFETY CHARACTERISTIC  
SICHERHEITSMERKMAL  
CARACTERISTIQUE DE SECURITE  
CARATTERISTICA DI SICUREZZA

SIGNIFICANT CHARACTERISTIC  
WESENTLICHES MERKMAL  
CARACTERISTIQUE SIGNIFIANTE  
CARATTERISTICA SIGNIFICATIVA

POSITION OF COMPONENTS SEE REPRESENTATION OF VARIANTS  
POSITION DER BAUTEILE SIEHE ABWANDLUNGSDARSTELLUNGEN  
POSITION DES COMPOSANTS VOIR DESSIN DE LA VARIANTE  
POSIZIONE DELLE COMPONENTI VEDERE DISEGNO DI VARIANTE

MAIN VIEWS REFER TO DIMENSIONS ONLY  
HAUPTANSICHTEN BEZIEHEN SICH NUR AUF DIE ABMESSUNGEN  
VUES PRINCIPALES CONCERNENT LES DIMENSIONS SEULEMENT  
VISITE PRINCIPALI RIGUARDANO DIMENSIONI SOLAMENTE

925 461 331 0	21752715	22423321	DRIVING POSITION	24/24
925 461 330 0	21752714	22423313	DRIVING POSITION	24/24
VOLVO UD TRUCKS (A)		<2>		
CUSTOMER'S NO. KUNDEN-NR. NO. CLIENTE		DELIVERY POSITION ANLIEFERUNGSTELLUNG POSITIONE DI LIVRAISON POSIZIONE DI FORNITURA		
IDENTIFICATION		TYPE TYPE TIPO		

General Specifications: JED-334-1, Size ISO 14400 LP		Copyright © 2016 WABCO		WABCO	
Further Technical Data: Sheet 1 of 1		Date: 2016-02-04		TRISTOP® - CYLINDER TRISTOP® - ZYLINDER CYLINDRE-TRISTOP® CILINDRO-TRISTOP®	
Class: 1, 2, 3, 4, 5, 6, 7, 8, 9, 10, 11, 12, 13, 14, 15, 16, 17, 18, 19, 20, 21, 22, 23, 24, 25, 26, 27, 28, 29, 30, 31, 32, 33, 34, 35, 36, 37, 38, 39, 40, 41, 42, 43, 44, 45, 46, 47, 48, 49, 50, 51, 52, 53, 54, 55, 56, 57, 58, 59, 60, 61, 62, 63, 64, 65, 66, 67, 68, 69, 70, 71, 72, 73, 74, 75, 76, 77, 78, 79, 80, 81, 82, 83, 84, 85, 86, 87, 88, 89, 90, 91, 92, 93, 94, 95, 96, 97, 98, 99, 100		Scale: 1:1		925 461 339 0	
Tapped holes acc. JED-464-0		A 0		053 ML 1/1	