

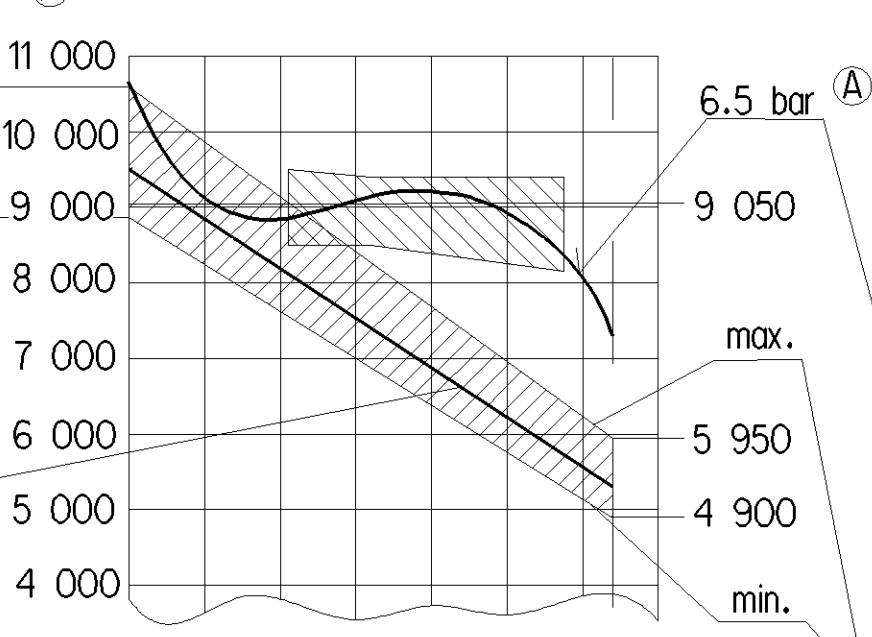
SURFACE PROTECTION... TABLE WITH 6 ROWS AND 2 COLUMNS

MEDIUM : AIR... THERMAL RANGE OF APPLICATION...

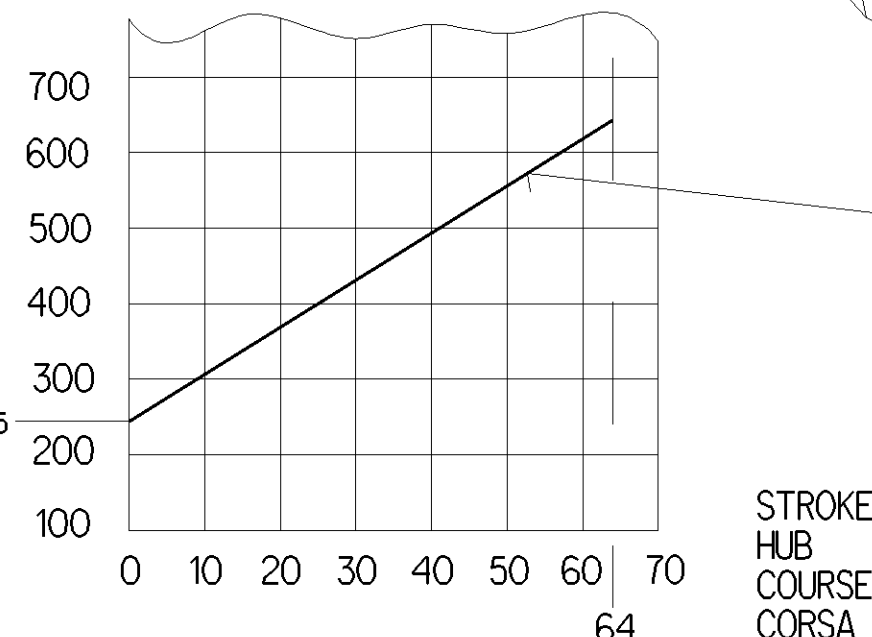
PORT : SERVICE BRAKING SYSTEM... ANSCHLUSS : 11... ORIFICE : DISPOSITIVO DI FRENATURA...

(TEMPORARILY) : max. 13 bar... (TEMPORARILY) : max. 11 bar...

FORCE : KRAFT : N... FORZA :



AIR VOLUME OF SERVICE BRAKE PART AT 2/3 OF ITS STROKE... : ca. 0.84 dm³



AIR VOLUME OF SPRING BRAKE PART... : ca. 1.52 dm³

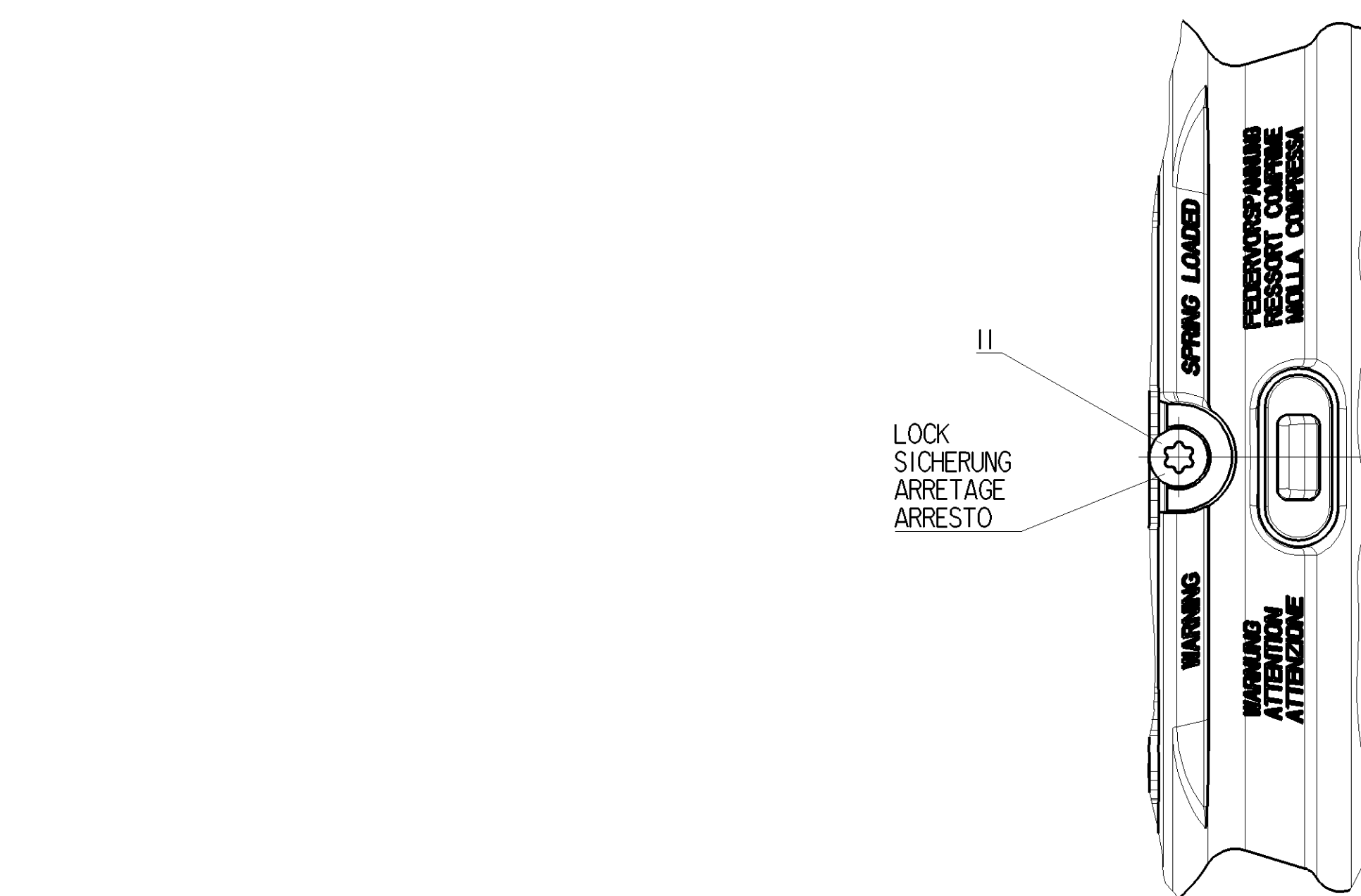
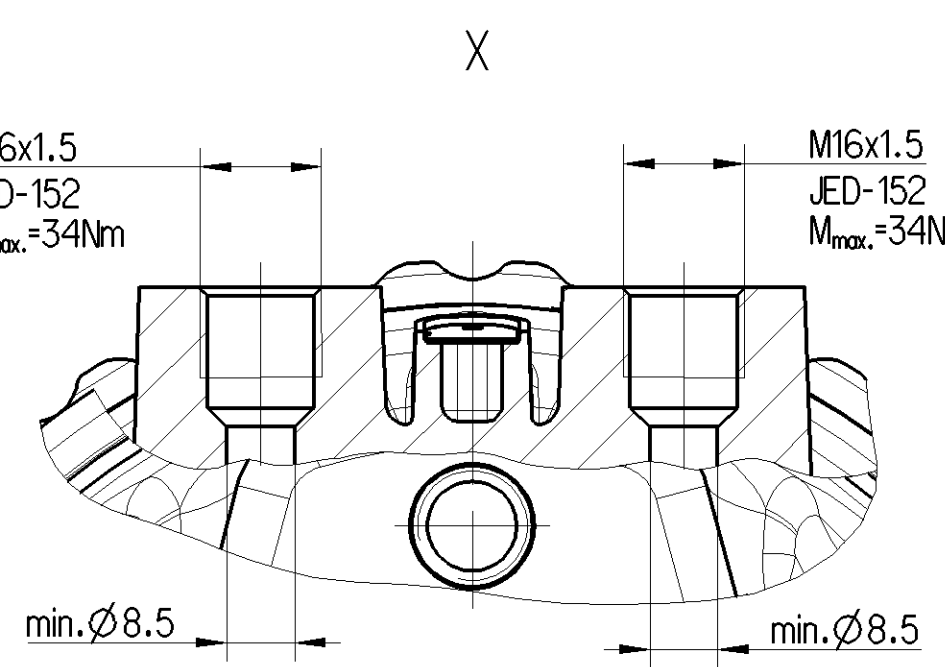
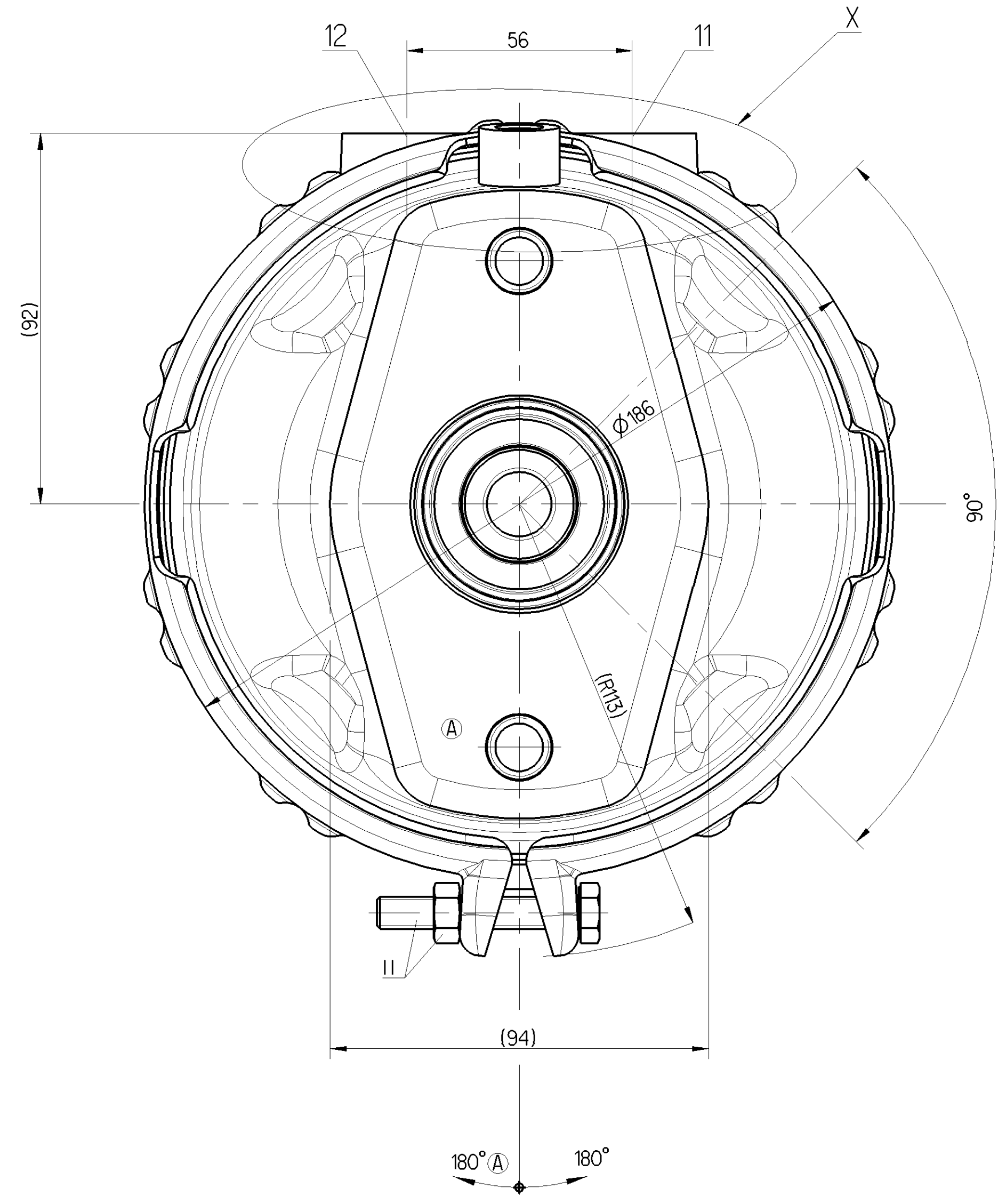
OUTPUT FORCE OF SERVICE BRAKE PART AT... : ca. 5.1 bar

OUTPUT FORCE OF SPRING BRAKE PART, RELEASE PRESSURE... : ≤ 5.1 bar

FORCE OF RETURN SPRING OF SERVICE BRAKE PART... : ca. 245±25

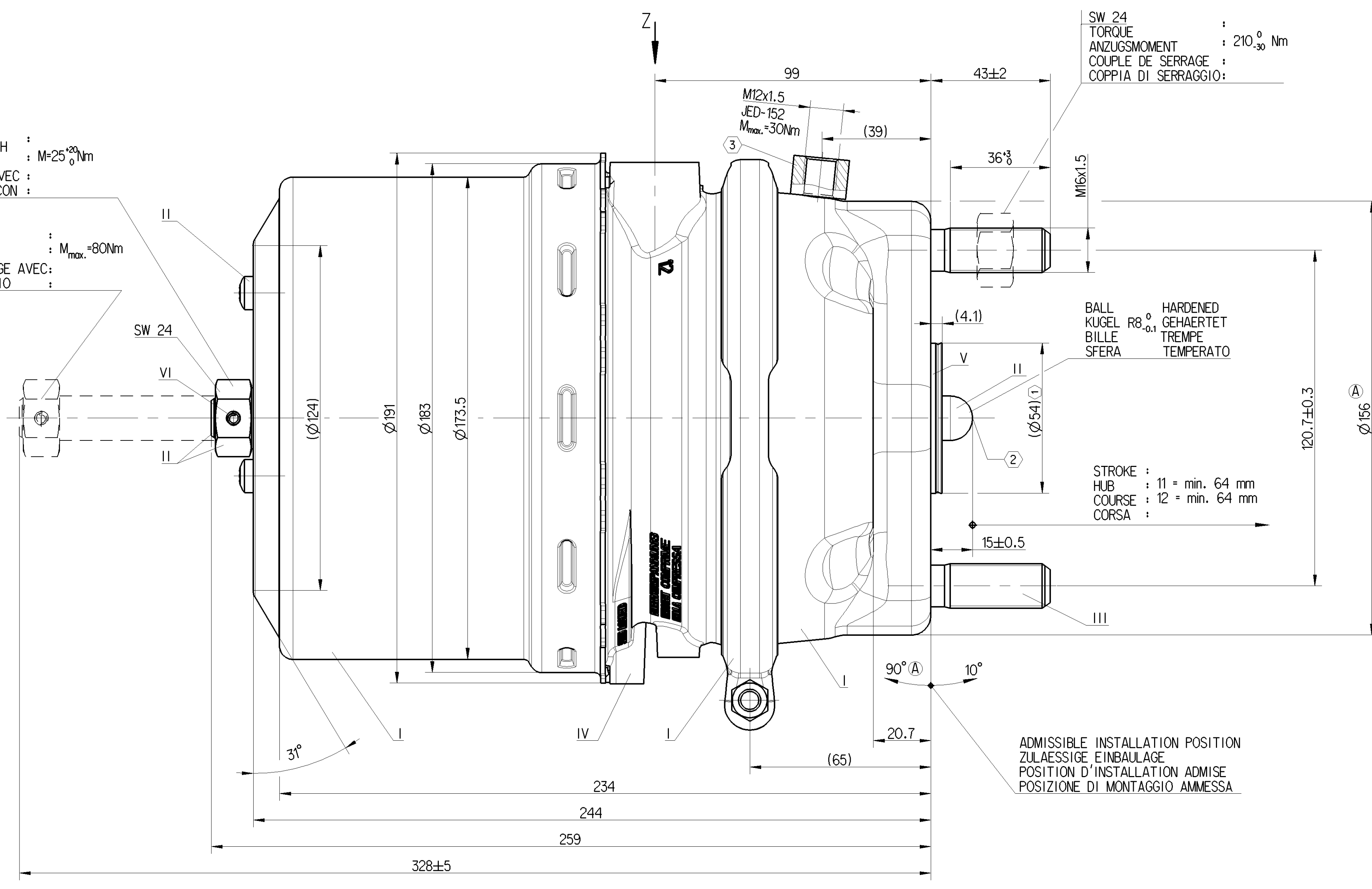
- SEALING SURFACE... ADMISSIBLE DEFLECTION OF PISTON... LEAD EXHAUST PIPE TO DUST-FREE AND DRY AREA...

DELIVERY ANLIEFERUNG LIVRAISON FORNITURA... RELEASE POSITION LOESESTELLUNG... DRIVING POSITION FAHRTSTELLUNG...

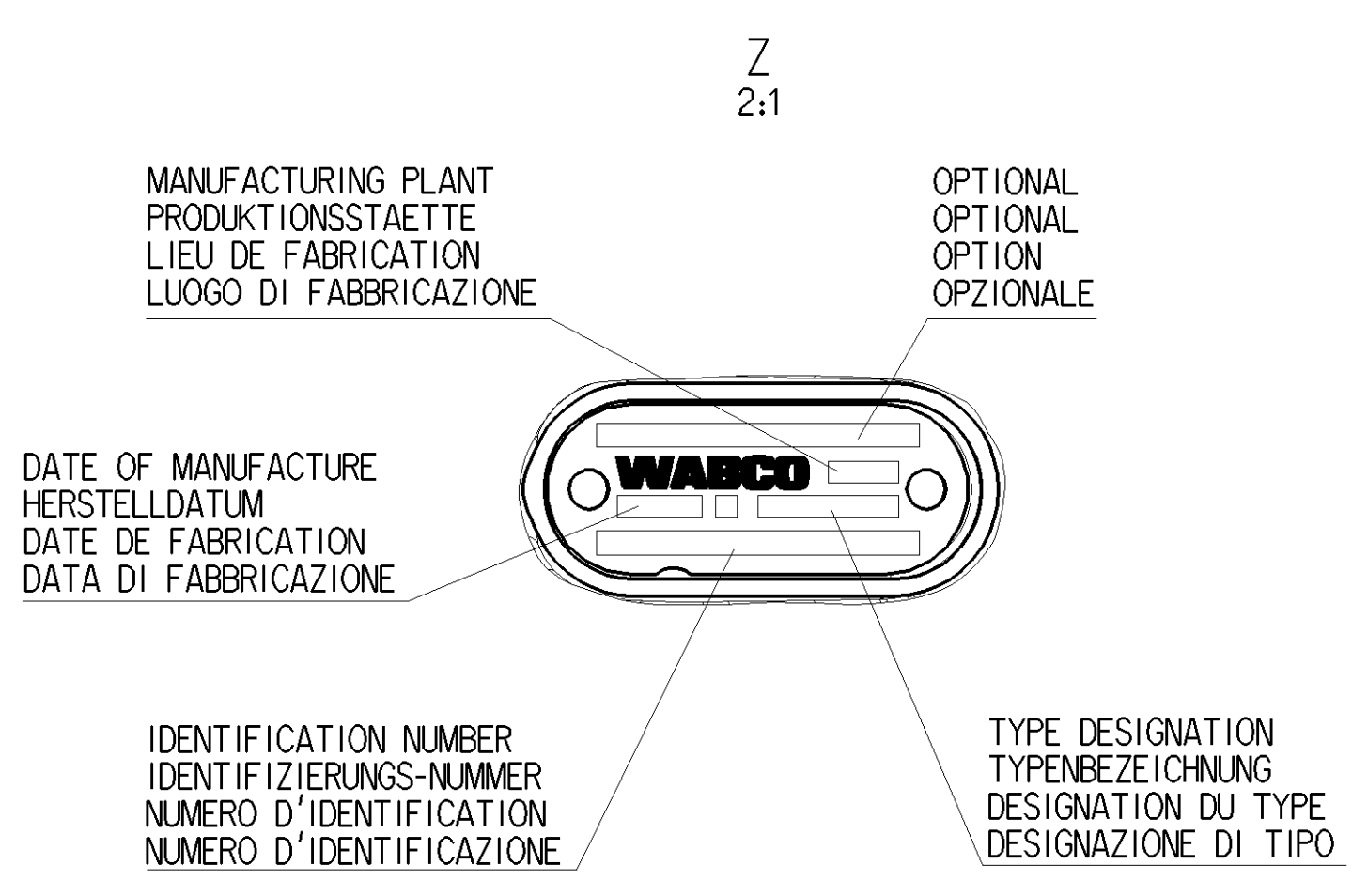
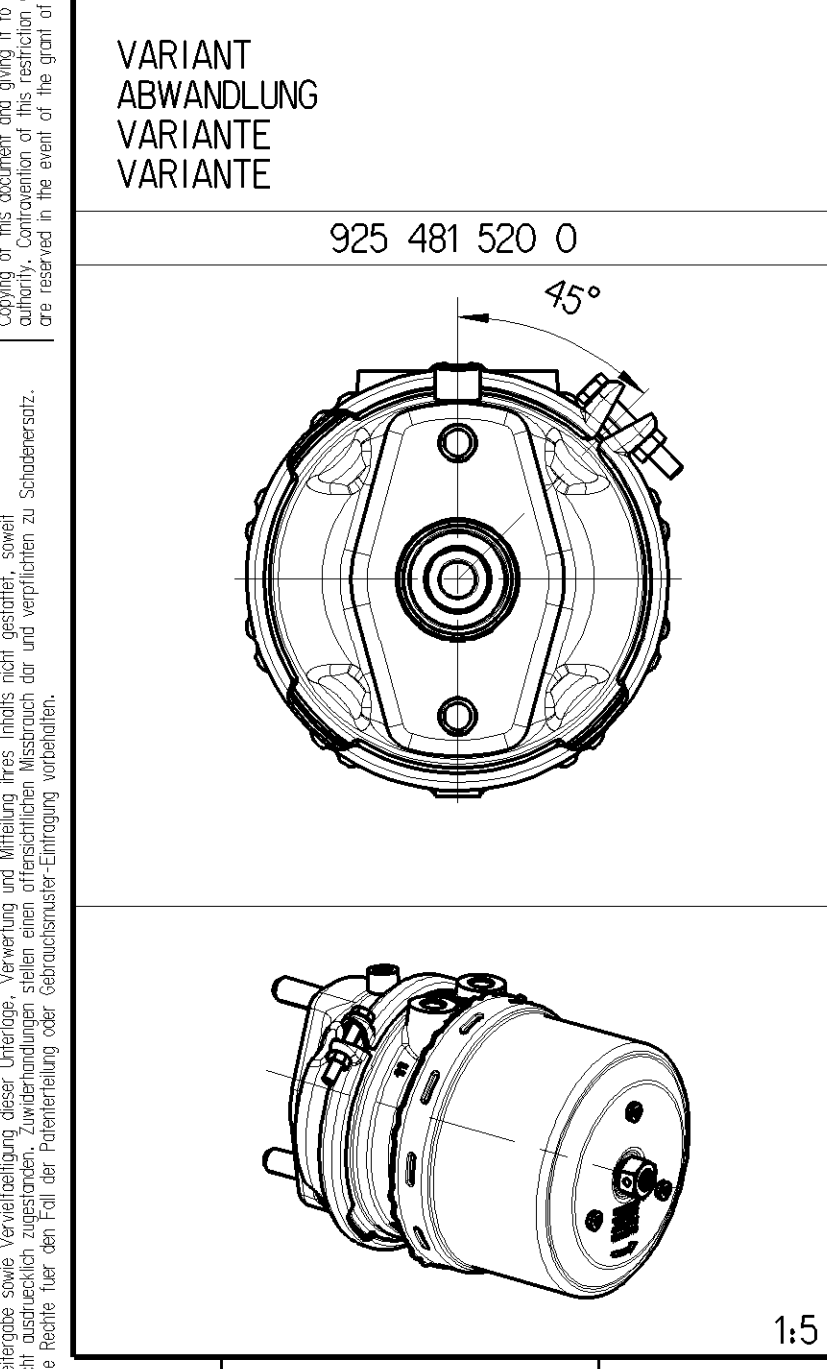


DRIVING POSITION. TIGHTENING WITH FAHRTSTELLUNG. ANZIEHEN MIT...

RELEASE POSITION. RELEASING WITH LOESESTELLUNG. LOESEN MIT...



MAIN VIEWS REFER TO DIMENSIONS ONLY... POSITION OF COMPONENTS SEE REPRESENTATIONS OF VARIANTS...



Technical specifications table for WABCO 925 481 520 0, including mass (8.47 kg) and dimensions.