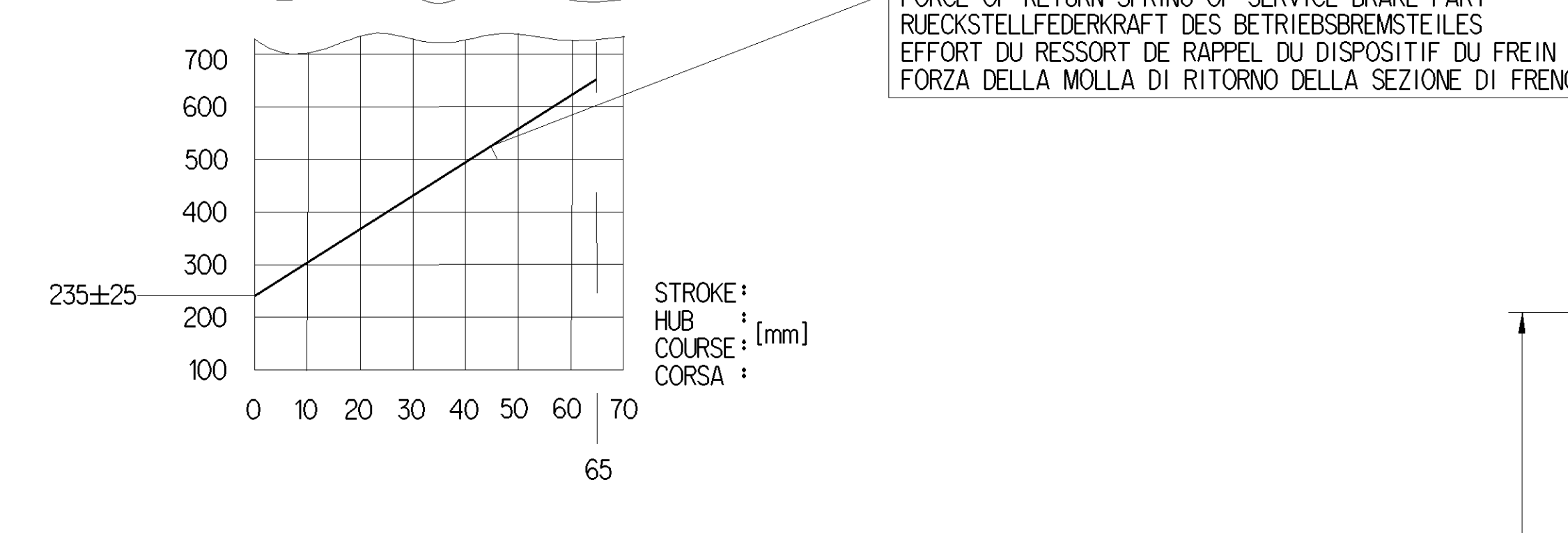
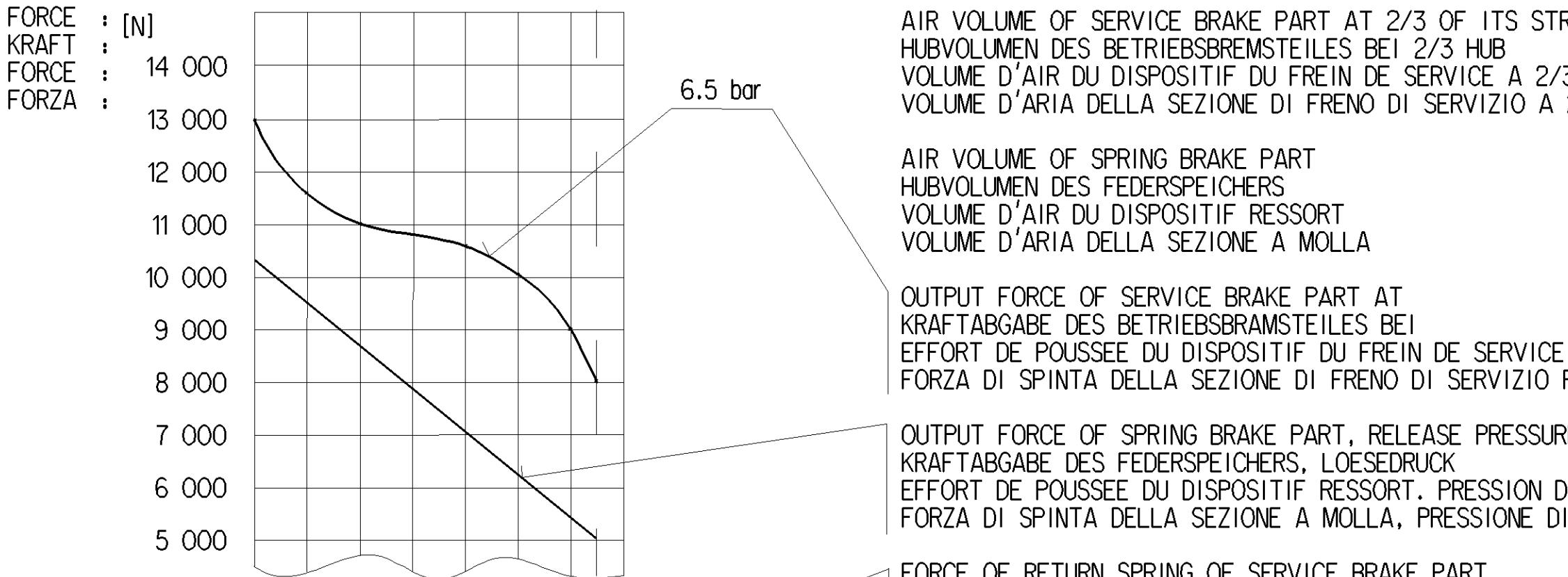


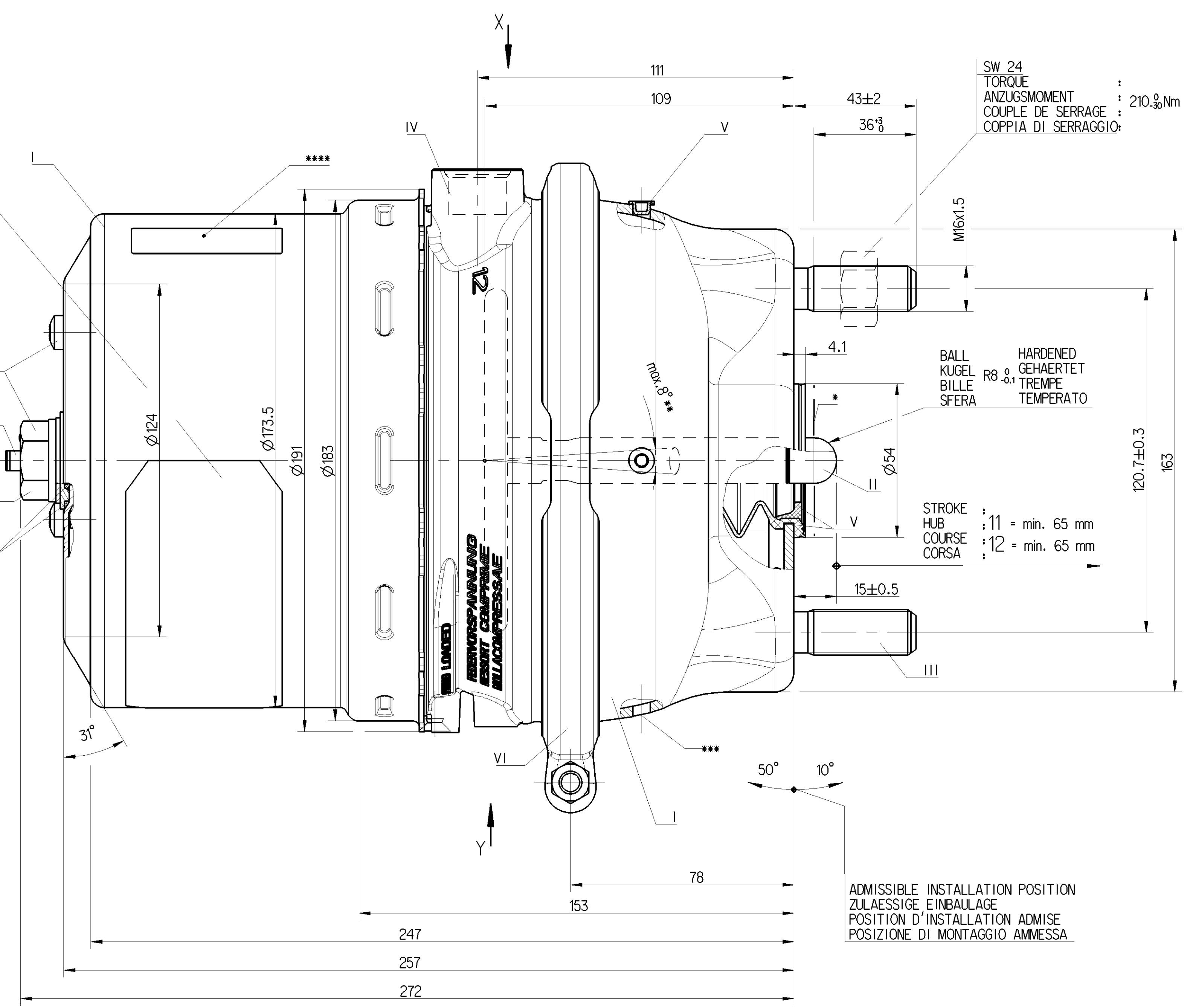
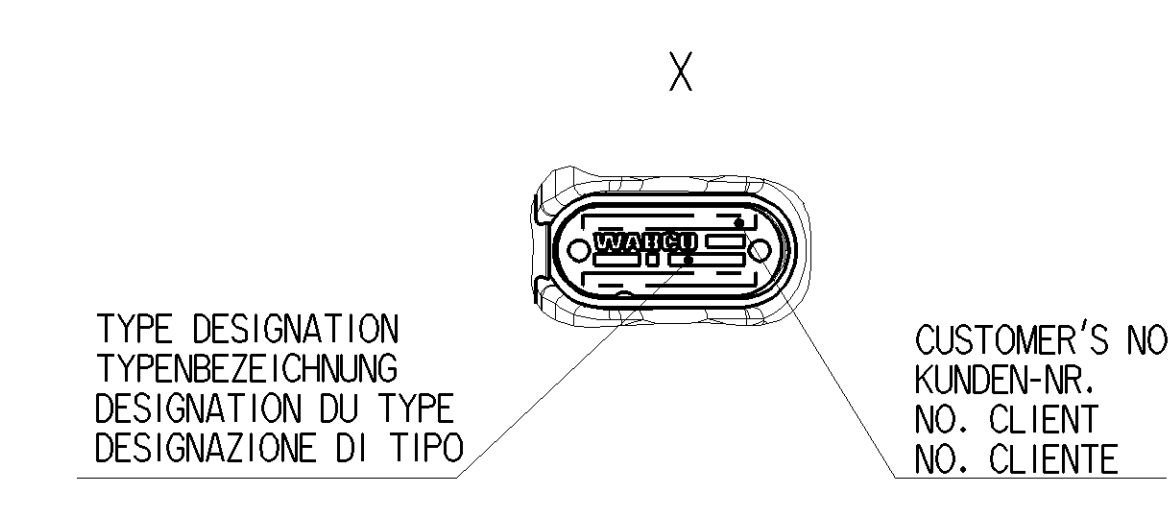
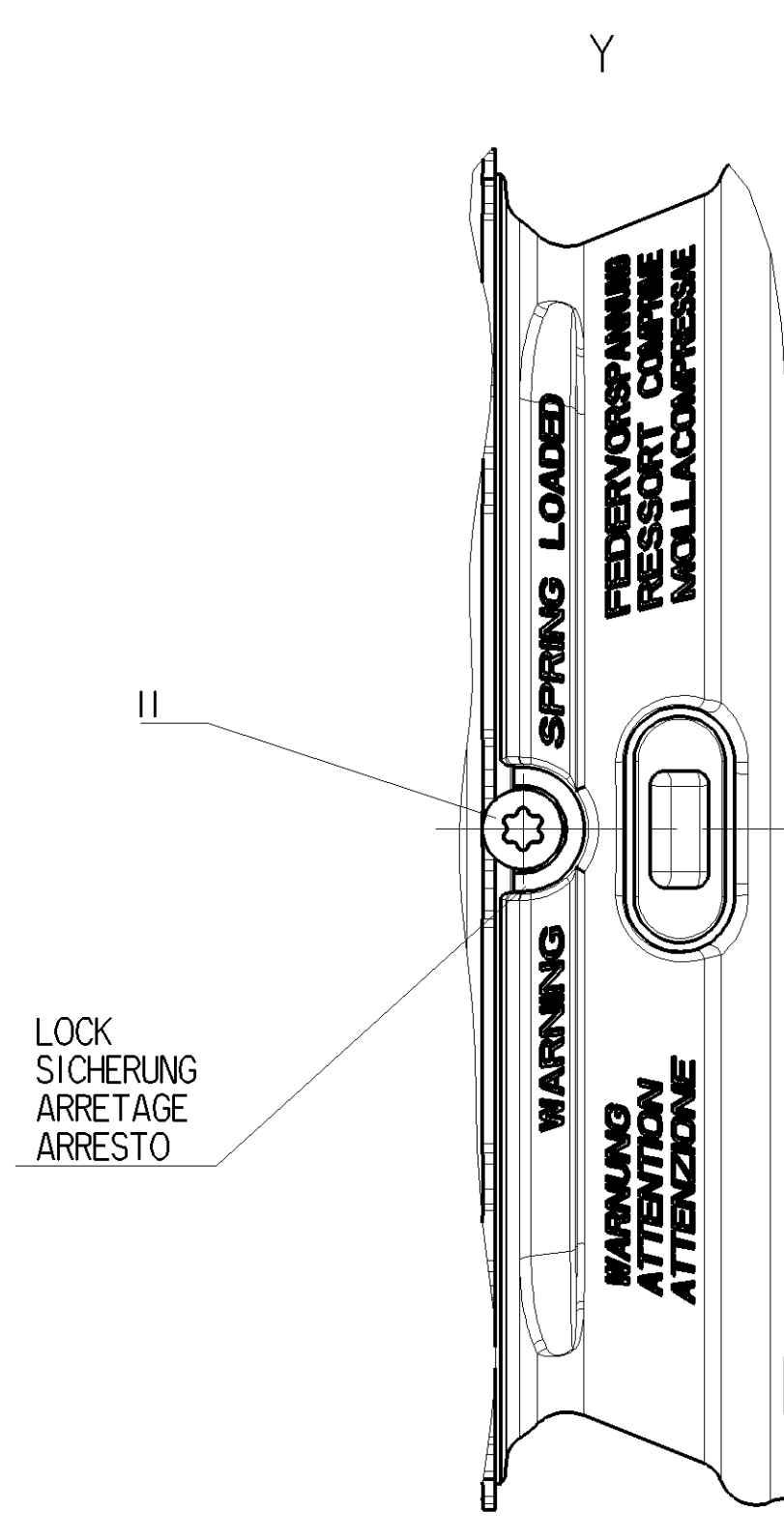
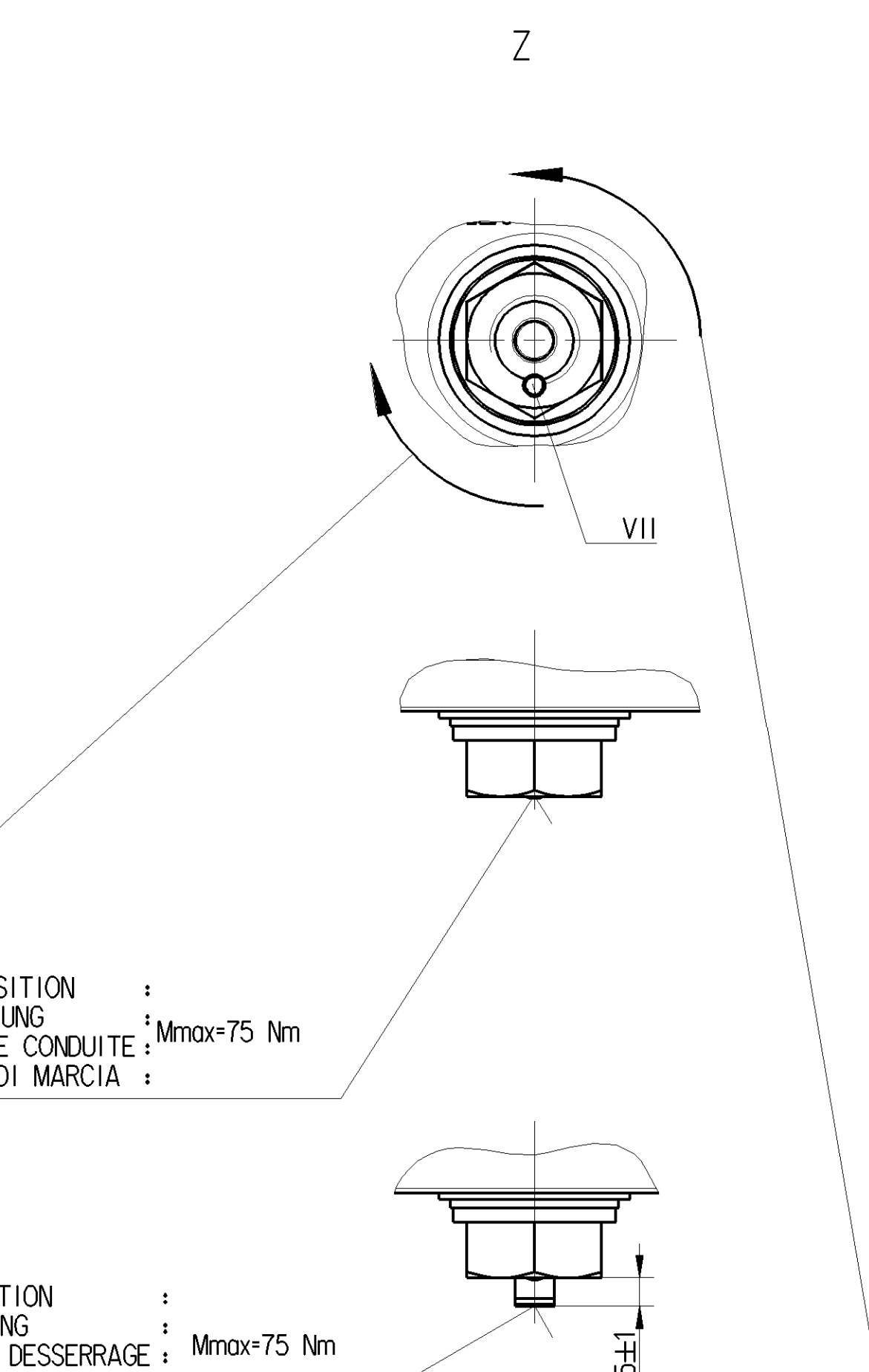
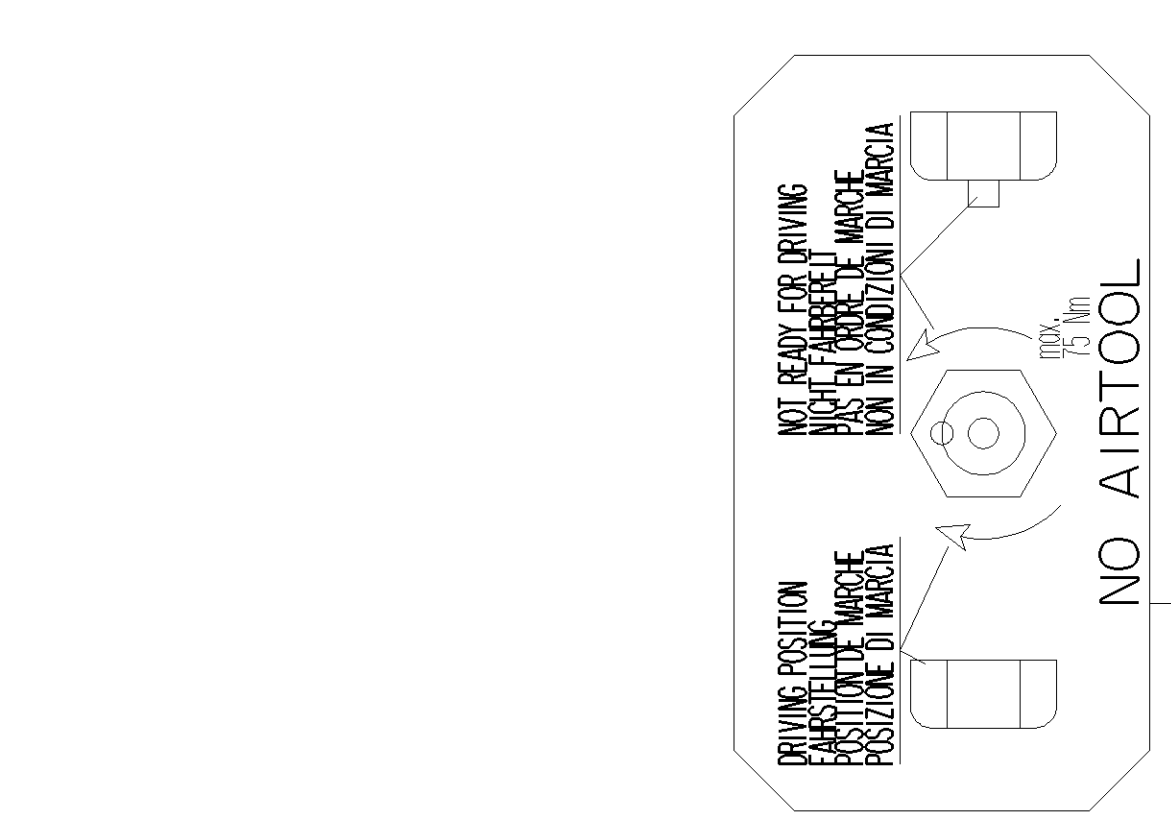
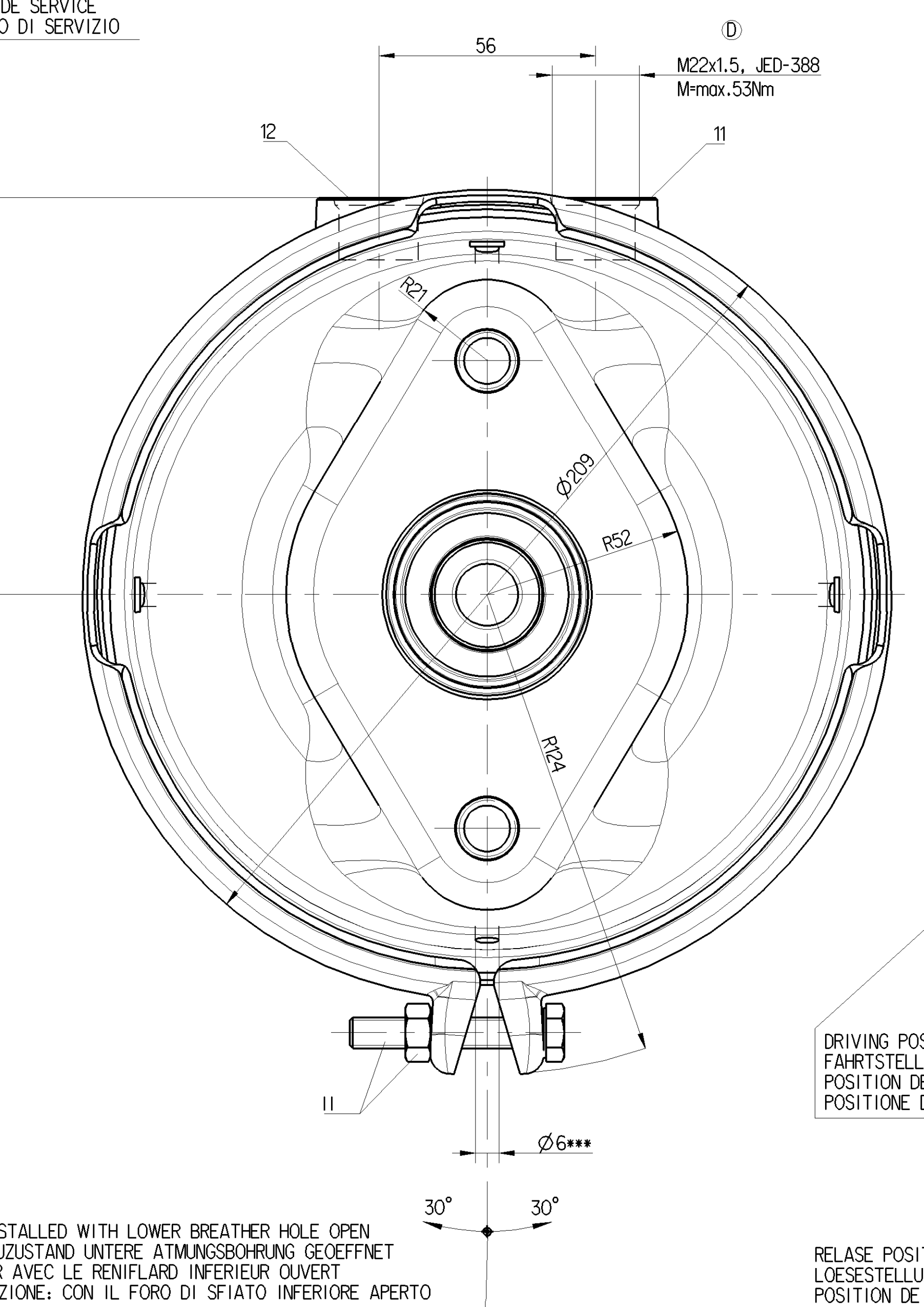
SURFACE PROTECT. OBERFL. SCHUTZ		MEDIUM : AIR MEDIUM : LUFT FLUIDO : AIR FLUIDO : ARIA		NOMINAL DIAMETER : NENNWEITE : min. $\varnothing 8.5$ mm DIAMETRO NOMINALE : LARGHEZZA IN CHIAVE		WIDTH ACROSS FLATS SW = SCHLÜSSELWEITE SURPLATS : LARGHEZZA IN CHIAVE	
I	JED-240-3						
II	JED-256-1						
III	JED-371						
IV	AL, JED-259	THERMAL RANGE OF APPLICATION : THERMISCHER ANWENDUNGSBEREICH : $-40^{\circ}\text{C} \dots +80^{\circ}\text{C}$ GAMME D'APPLICATION THERMIQUE : CAMPO TERMICO D'APPLICAZIONE :					
V	RUBBER/PLASTIC						
VI	JED-240-2						
VII	JED-247-0						

TECHNICAL DATE TECHNISCHE DATEN		PORT : SERVICE BRAKING SYSTEM, WORKING PRESSURE (TEMPORARILY) : max. 10.2 bar (KURZZEITIG) : max. 13 bar	
		ANSCHLUSS : 11 : BETRIEBSBREMSEANLAGE, BETRIEBSDRUCK (DE COURTE DUREE) : max. 10.2 bar (BREVE TEMPO DUORE) : max. 13 bar	
		ORIFICE : SYSTEME DE FREINAGE DE SERVICE, PRESSION D'UTILISATION (DE COURTE DUREE) : max. 10.2 bar (BREVE TEMPO DUORE) : max. 13 bar	
		ORIFIZIO : DISPOSITIVO DI FREMATURA DI SERVIZIO, PRESSIONE DI ESERCIZIO (BREVE TEMPO DUORE) : max. 10.2 bar (BREVE TEMPO DUORE) : max. 13 bar	

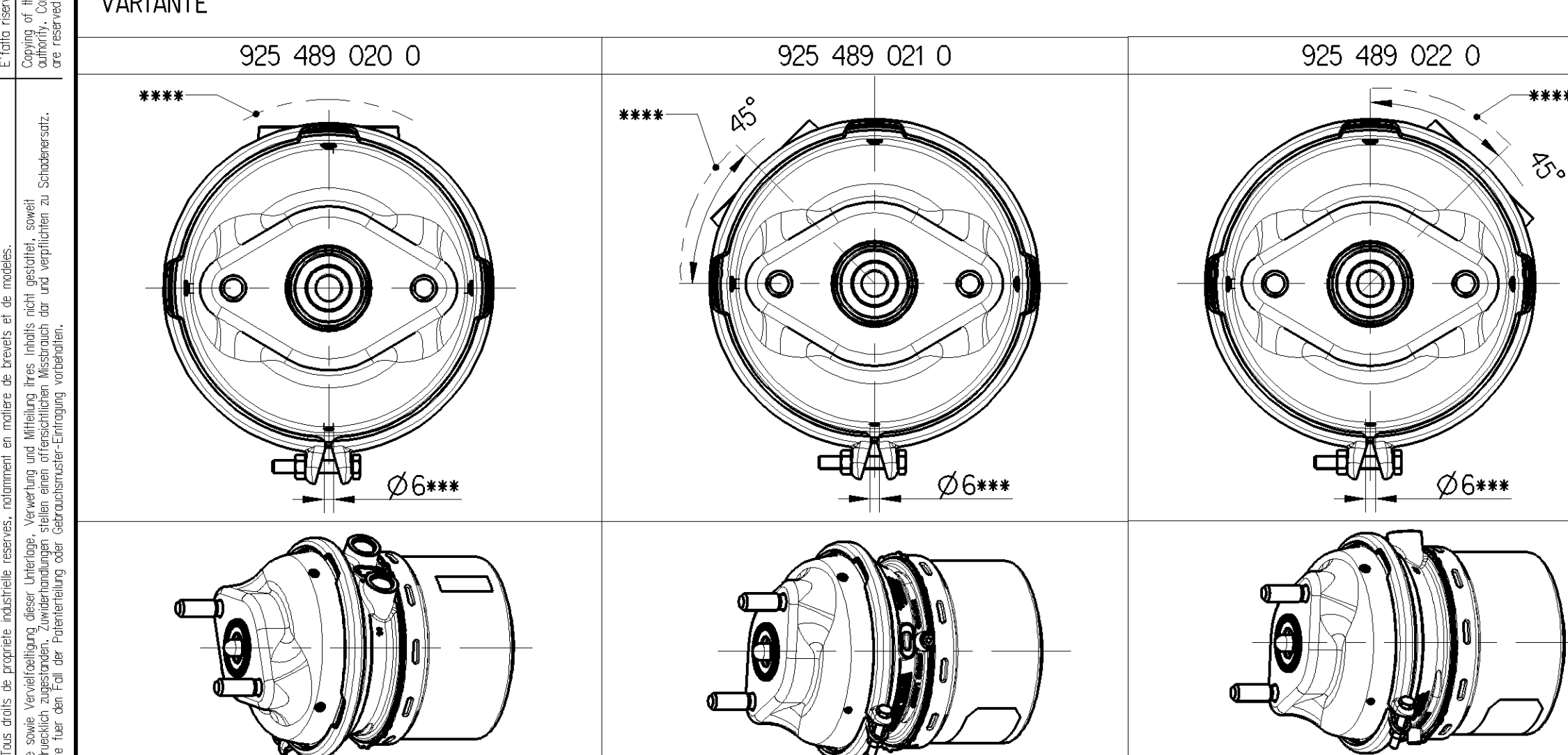
PORT : SPRING BRAKE CYLINDER, WORKING PRESSURE (TEMPORARILY) : max. 8.5 bar (KURZZEITIG) : max. 11 bar	
ANSCHLUSS : 12 : FEDERSPEICHERZYLINDER, BETRIEBSDRUCK (DE COURTE DUREE) : max. 8.5 bar (BREVE TEMPO DUORE) : max. 11 bar	
ORIFICE : CYLINDRE A RESSORT, PRESSION D'UTILISATION (DE COURTE DUREE) : max. 8.5 bar (BREVE TEMPO DUORE) : max. 11 bar	
ORIFIZIO : CILINDRO A MOLLA, PRESSIONE DI ESERCIZIO (BREVE TEMPO DUORE) : max. 8.5 bar (BREVE TEMPO DUORE) : max. 11 bar	



- DELIVERY ANLIEFERUNG LIVRAISON FORNITURA
- RELEASE POSITION LOESESTELLUNG POSITION DE DESSERRAGE POSIZIONE DI RILASCIO
- DRIVING POSITION FAHRSTELLUNG POSITION DE MARCHÉ POSIZIONE DI MARCIA
- SEALING SURFACE DICHTFLÄCHE SURFACE D'ÉTANCHÉITÉ SUPERFICIE DI TENUTA
- DEFLECTION : max. 8° AT STROKE BEI HUB A COURSE A CORSA
- OPEN BREATHER HOLE ATMUNGSBOHRUNG OFFEN TROU DE RESPIRATION OUVERT FORO DI RESPIRAZIONE APERTO
- IN THIS ZONE : IN DIZEM BERICHT : BARCODE LABEL



Variant information and notes regarding delivery and installation. Includes 'VARIANT ABWANDLUNG VARIANTE VARIANTE' and 'TO BE INSTALLED WITH LOWER BREATHER HOLE OPEN'.



925 489 022 0	1941684	General Specification: JED-334-1 - Size: ISO 14409 LP	Copyright WABCO	<b>WABCO</b>
925 489 021 0	1941683	Further Technical Data: Sheet: To: 2015-02-03	2015-02-04	TRISTOP® - CYLINDER
925 489 020 0	2021709 D	Doc. Code: 2015-02-04	2015-02-04	TRISTOP® - ZYLINDER
DAF		Scania		CYLINDRO-TRISTOP®
CUSTOMER'S NO. KUNDEN-NR. NO. CLIENTE		925 489 029 0		CILINDRO-TRISTOP®
WABCO		053 ML 1/1		27/24
IDENTIFICATION		A O OED		4 x D 5400