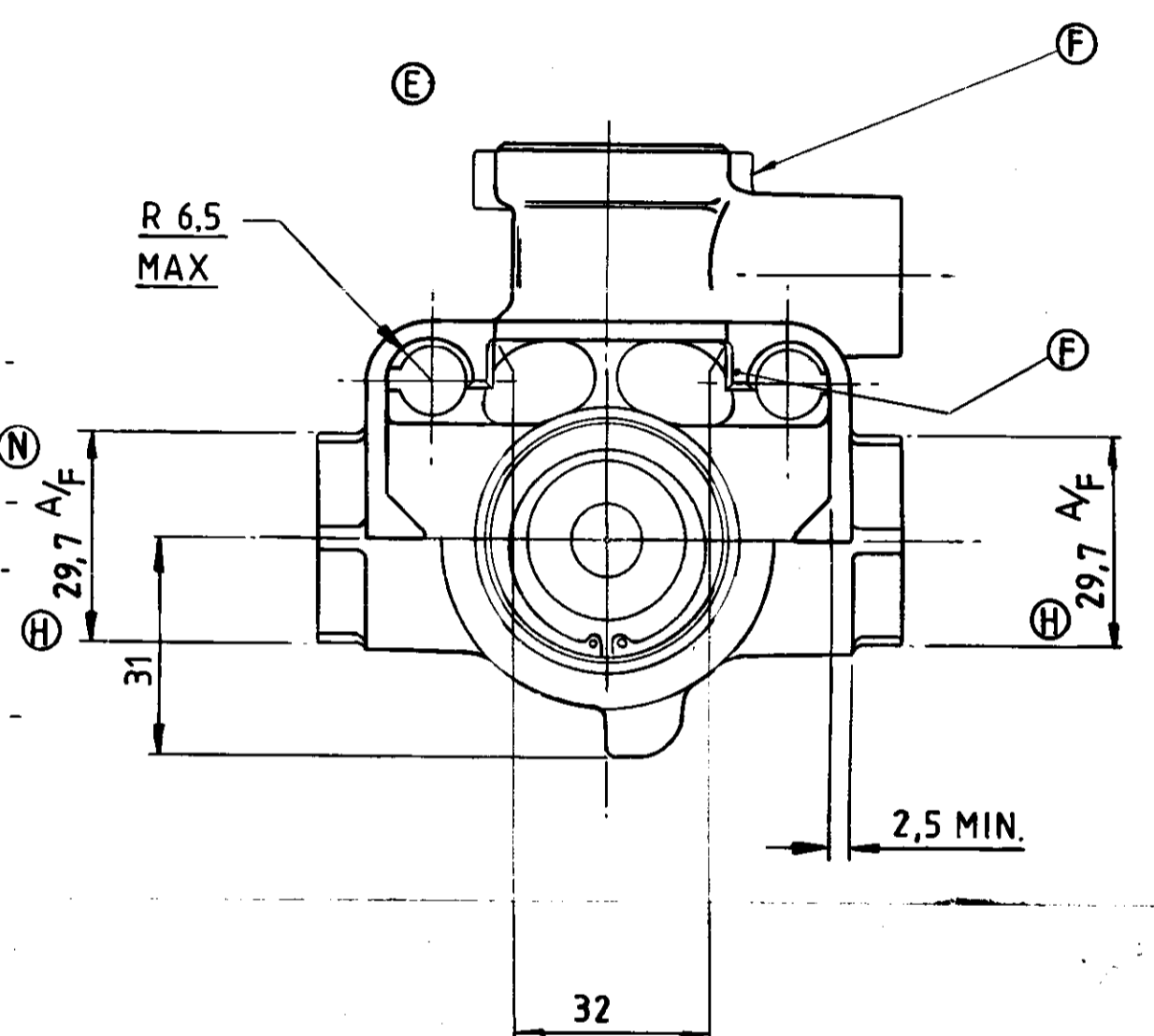
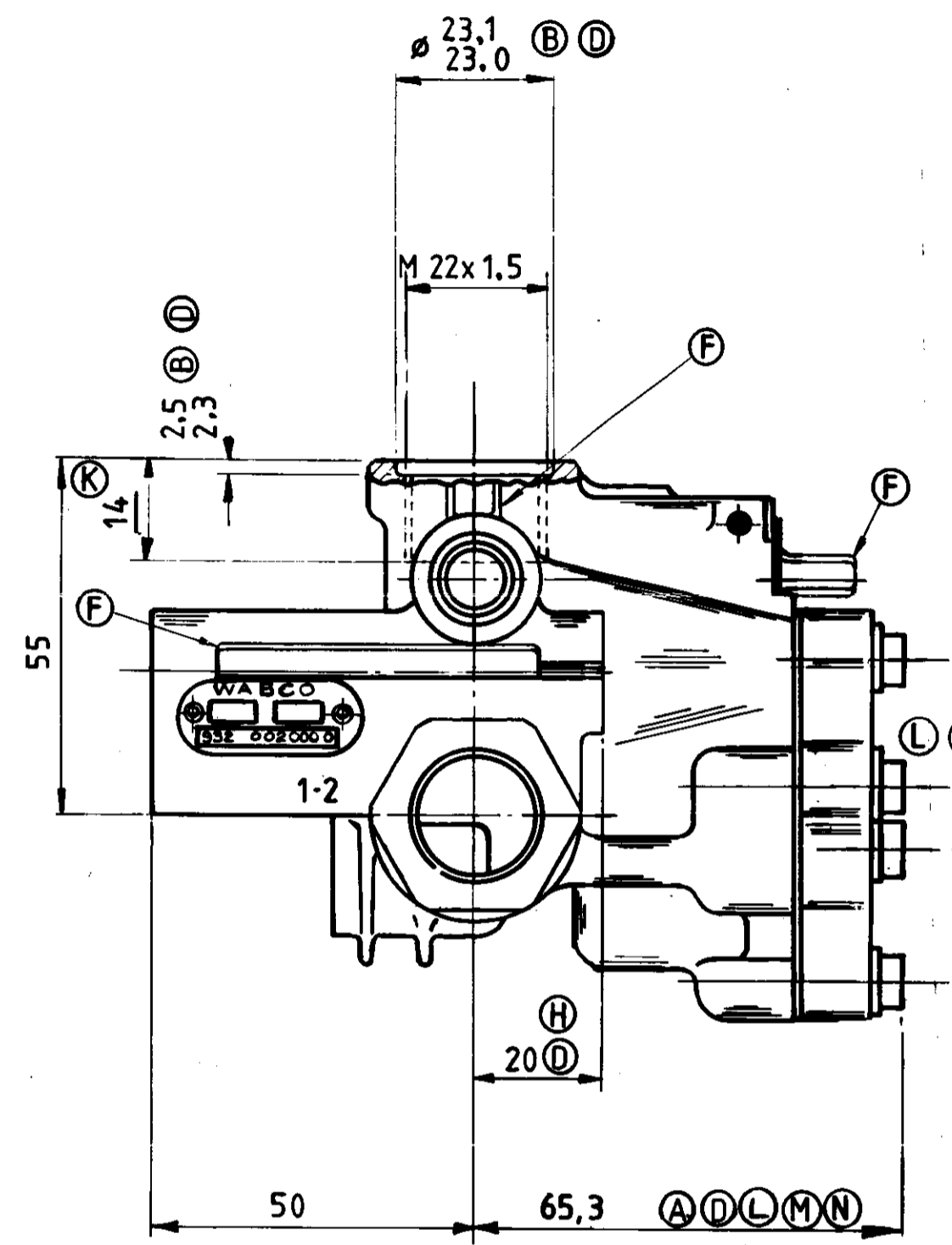
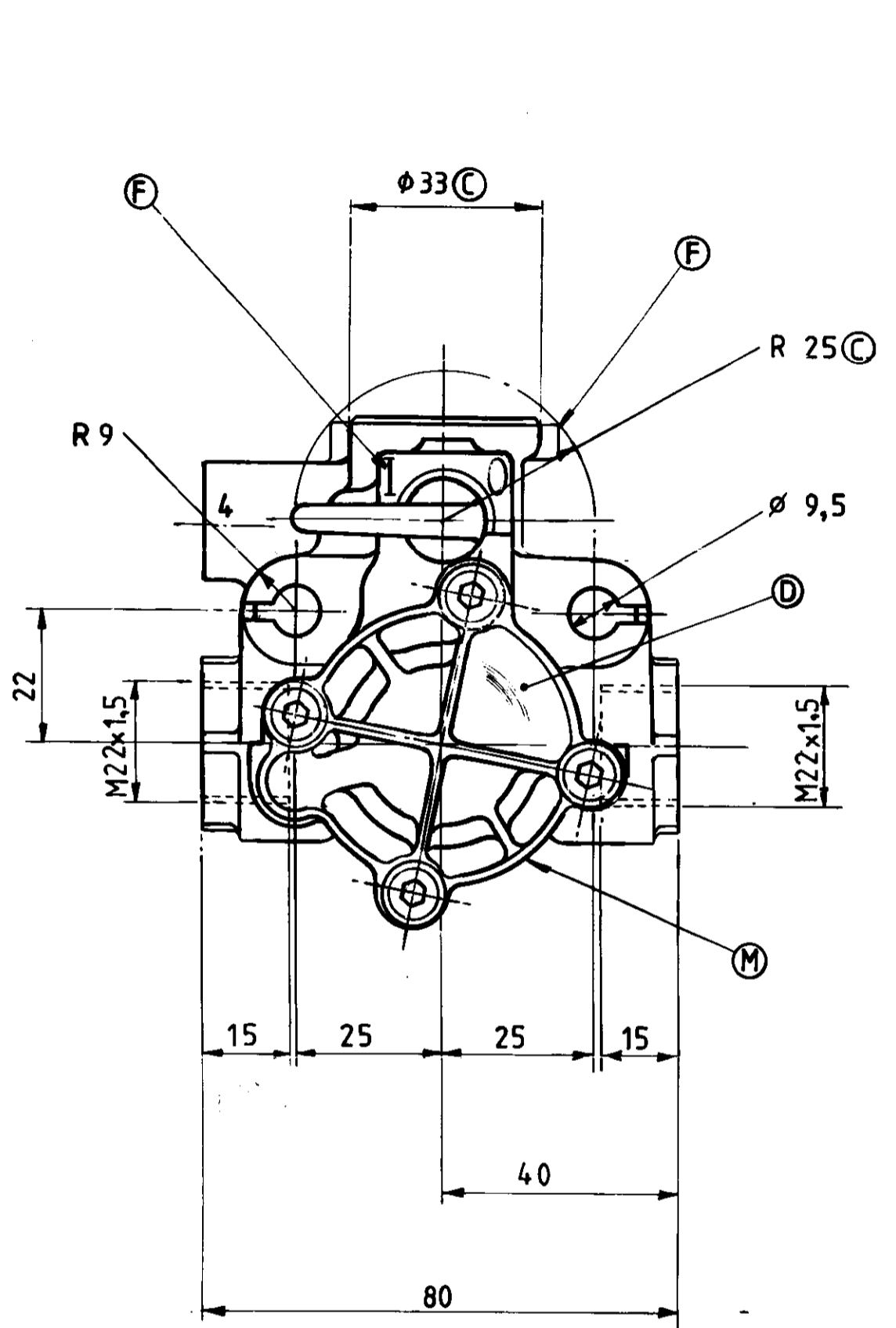


↑ ANGLE PROJECTION.



1862	2	N	15-3-88
1335	2	M	3-4-87
9855	1	K	13-2-86
9640	0	J	11-9-85
8681	3	H	20-2-85
8786	0	G	11-7-84
8481	7	F	20-3-84
8211	1	E	16-7-82
8211	5	D	25-2-82
8211	2	C	24-7-81
8211	2	B	29-6-81
8211	1	A	1-6-81

FURTHER TECHNICAL DATA SEE	
IDENTIFICATION No.:	523 2 L 71-87
CODE FOR DOCUMENT: 605 SHEET: TO	9855 1 K 13-2-86
GENERAL TOLERANCES	
CLASS	RANGE OF NOMINAL DIMENSIONS (2mm)
	1) < 50 > 50 > 180 > 400
I	0,5 1 1,5 2
II	1 2 3 4
III	2 3,5 5 6,5
TAPPED HOLES ACC ISO 4039	
1) TOLERANCE CLASS APPLIED CROSSMARKED	

COPYRIGHT		WABCO ANTIFREEZE PUMP FROSTSCHUTZPUMPE POMPE d'ANTIGEL ANTICONGELATORE	
DATE	SIGNATURE		
80-8-11	D.T.		
CHECKED	D.S.	PRODUCT IDENTIFICATION NO. 932 002 000 0	
17-7-81	D.S.C.		
STANDARDIZATION	A. JEFFERY.	MASS SCALE 1:1	
22-7-81		SIZE T.R.I. A 2 300	
ACCEPTED EOR PRODUCTION	DATE	SIGNATURE	CODE F. PROD. GROUP 605
			CODE FOR SHAPE 1/3
			REPLACEMENT FOR M/F 13-9-85

MICROFILMED

ACCEPTED EOR PRODUCTION