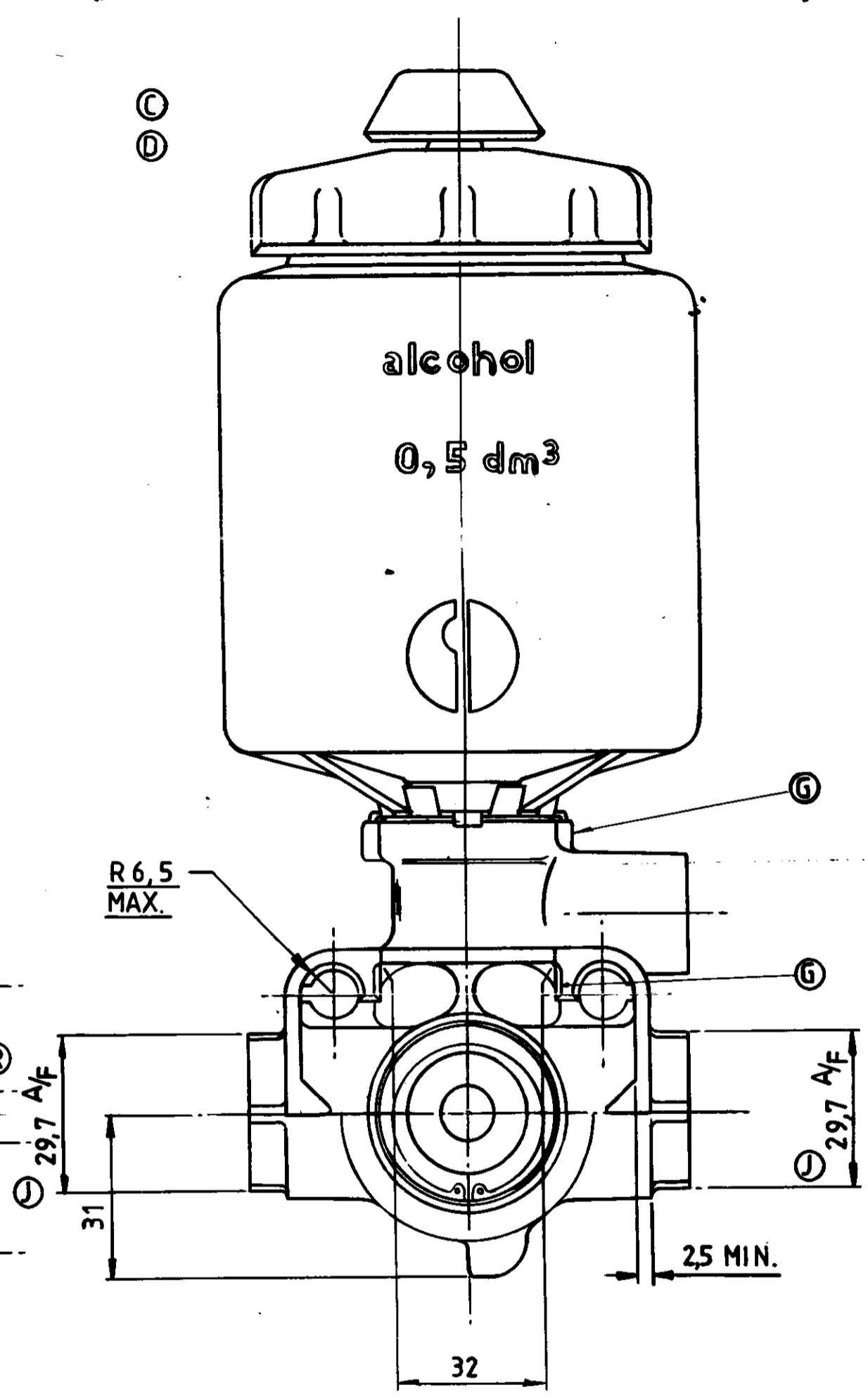
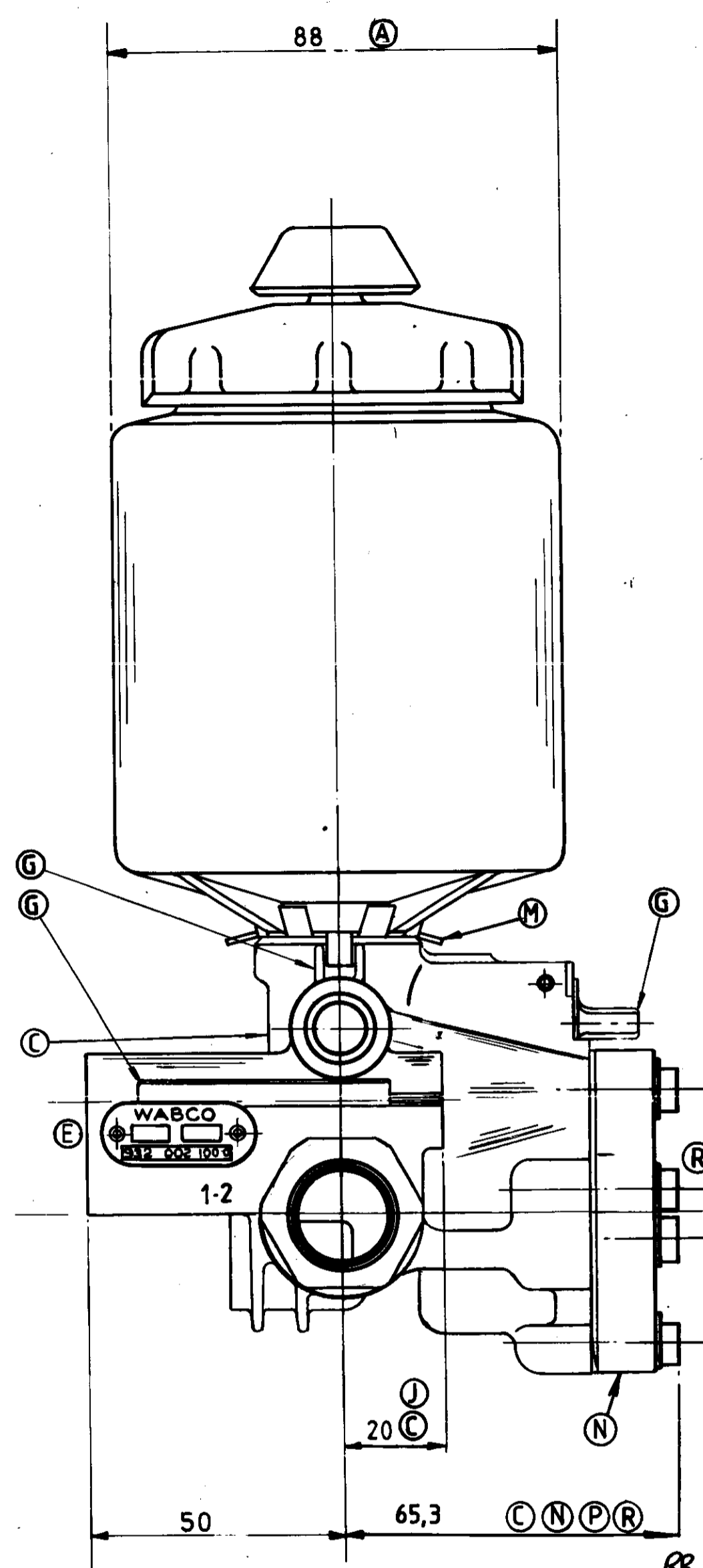
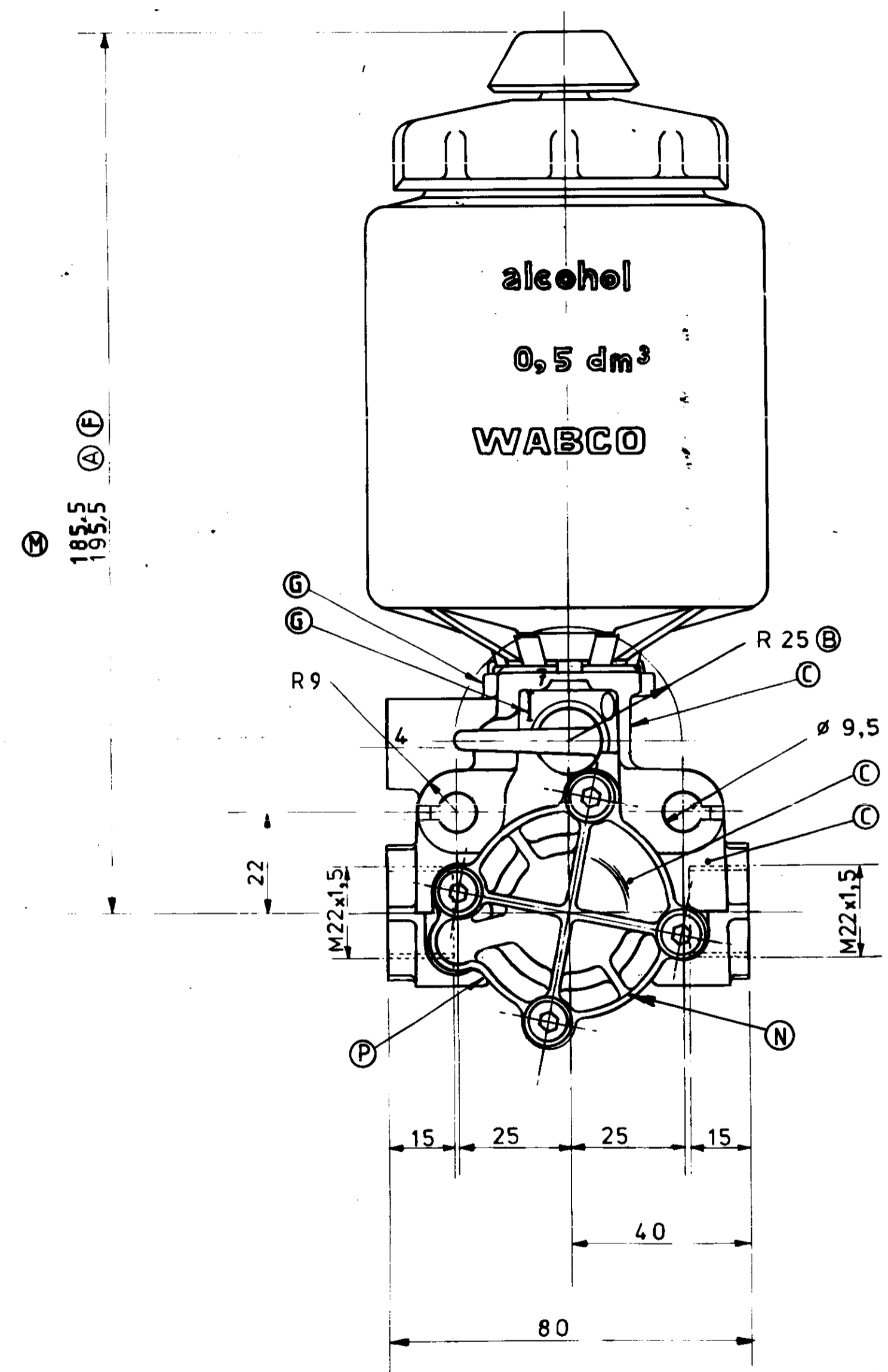


1<sup>st</sup> ANGLE PROJECTION.



1862	2	19-7-81
1335	2	3-4-87
523	3	16-2-86
8515	1	27-2-86
9855	0	13-2-86
9640	0	11-9-85
8681	3	20-2-85
8786	0	11-7-84
8481	7	16-3-84
8310	1	2-2-84
8312	1	3-5-83
8311	1	16-7-82
8270	8	23-3-82
8247	1	15-7-81
8214	2	1-6-81

FURTHER TECHNICAL DATA SEE	
IDENTIFICATION No.	
CODE FOR DOCUMENT: 605 SHEET: TO	
GENERAL TOLERANCES	
CLASS	RANGE OF NOMINAL DIMENSIONS (±mm)
I	< 50
II	50 - 100
III	100 - 400
IV	> 400
TAPPED HOLES ACC ISO 4039	
TOLERANCE CLASS APPLIED CROSSMARKED	

COPYRIGHT	
DATE	SIGNATURE
1-9-81	D.T.
17-7-81	CHECKED D.S.
17-7-81	STANDARDIZATION
22-7-81	A. JEFFERY
MASS	SCALE
kg	1:1
SIZE	Y.R.I.
A 2	300

<b>WABCO</b>		CLAYTON DEWANDRE
ANTIFREEZE PUMP		
FROSTSCHUTZPUMPE		
POMPE d'ANTIGEL		
ANTICONGELATORE		
PRODUCT IDENTIFICATION No.		CODE FOR DOCUMENT SHEET
932 002 100 0		605 1/3
CODE F. PROD-GROUP		CODE FOR SHAPE
		REPLACEMENT FOR
		M/F 13-9-85

ACCEPTED FOR PRODUCTION	DATE	SIGNATURE

MICROBOX

MICROFILMED