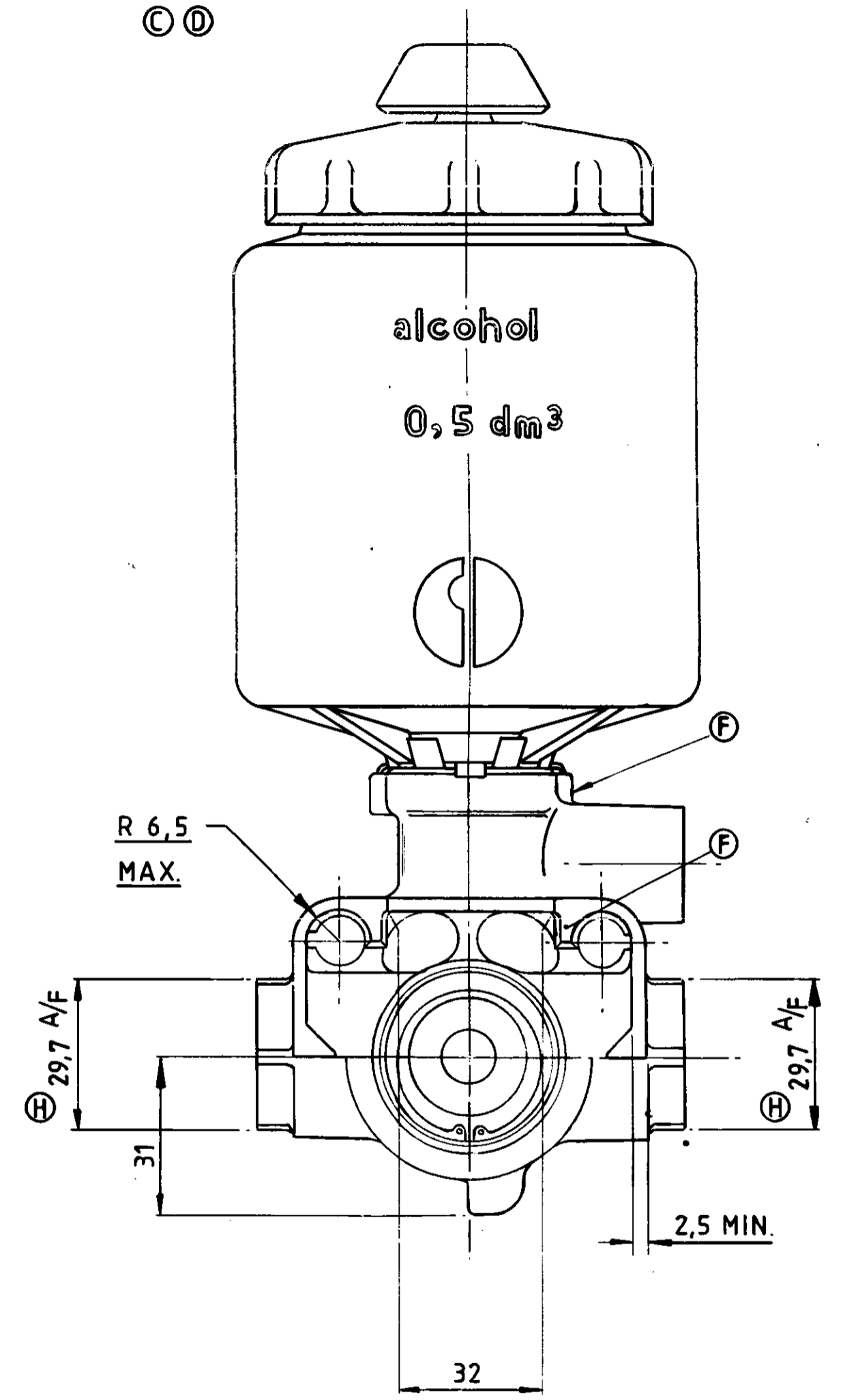
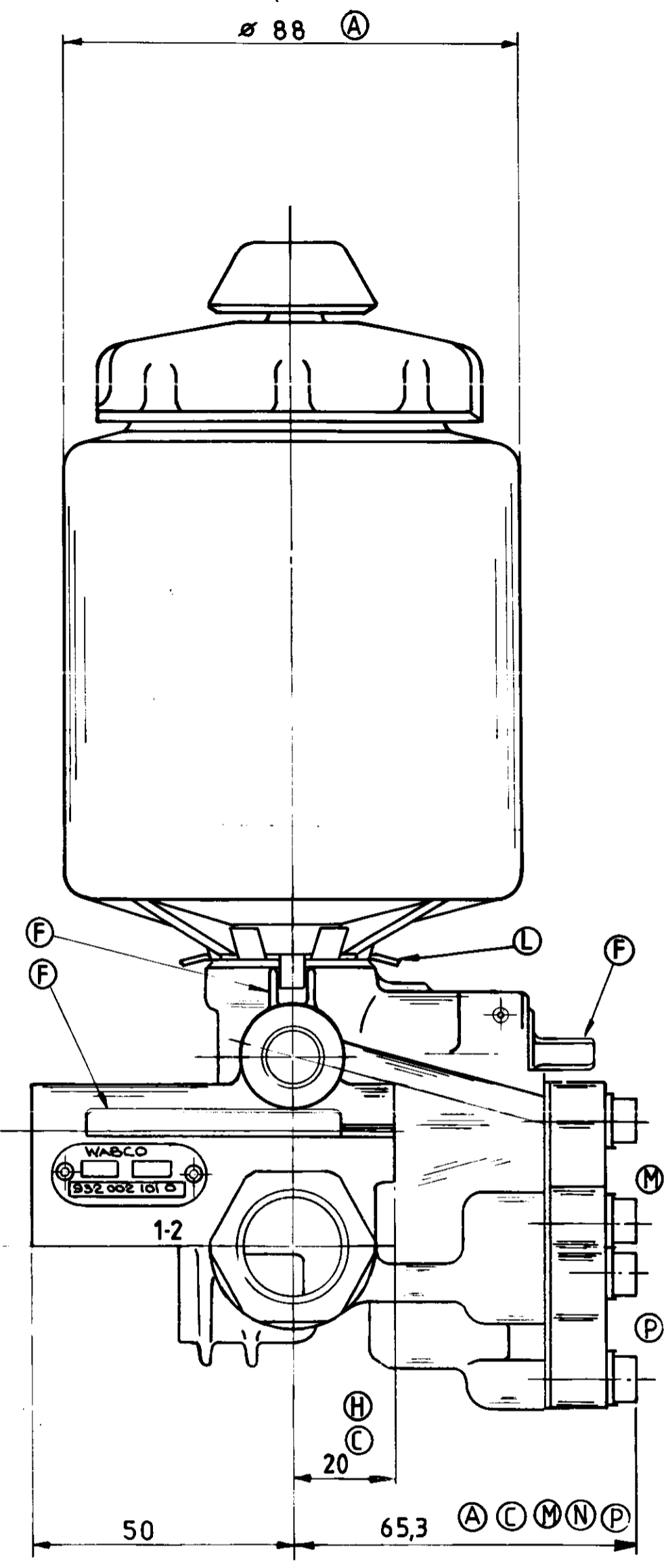
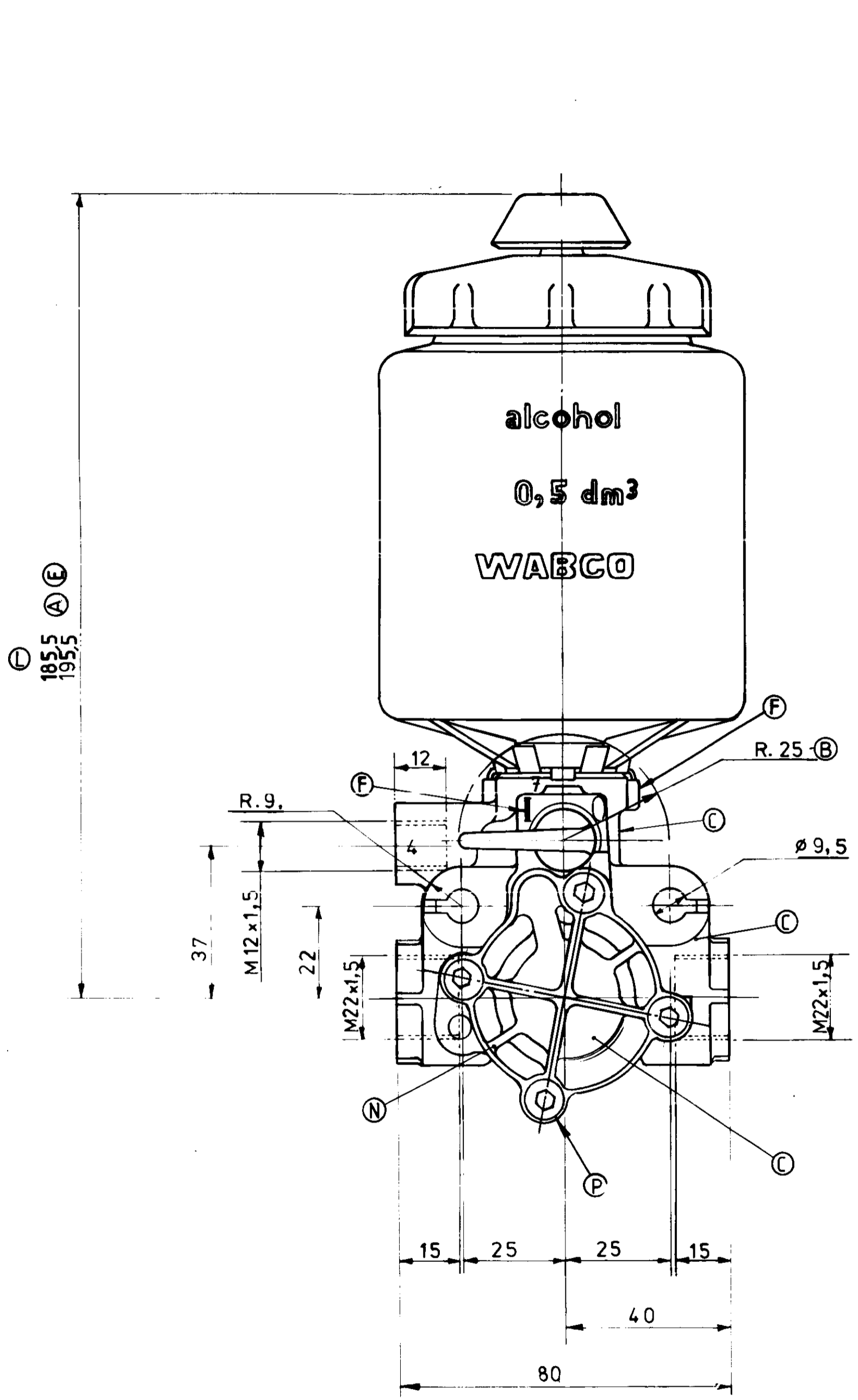


↑ ANGLE PROJECTION



1862	3 P	26-5-88
1335	2 M	2-4-87
523	2 H	8-1-87
8515	2 L	3-3-86
9855	0 K	13-2-86
9640	0 J	11-9-85
8681	3 H	19-2-85
8786	0 G	11-7-84
8481	7 F	16-3-84
8310	1 E	2-2-84
8222	1 D	15-7-82
8467	7 C	12-3-82
8047	1 B	15-7-81
8014	3 A	1-6-81
DCN-No.	REV.	DATE

FURTHER TECHNICAL DATA SEE				COPYRIGHT		<b>WABCO</b>		CLAYTON DEWANDRE	
IDENTIFICATION No.:				DATE		SIGNATURE			
CODE FOR DOCUMENT: 605 SHEET: TO				1-8-80		D.T.			
GENERAL TOLERANCES				17-7-81		CHECKED D.S.			
RANGE OF NOMINAL DIMENSIONS (± mm)				17-7-81		STANDARDIZATION			
CLASS				22-7-81		A. JEFFERY.			
I) #				MASS		SCALE		PRODUCT IDENTIFICATION No.	
I) #				kg		1:1		932 002 101 0	
II) #				SIZE		T.R.I.		CODE FOR DOCUMENT SHEET	
III) #				A2		300		605 1/3	
TAPPED HOLES ACC ISO 4039				CODE P. PROD-GROUP		CODE FOR SHAPE		REPLACEMENT FOR	
1) TOLERANCE CLASS APPLIED CROSSMARKED				DCN-No.		REV.		DATE	

MICROFILMED 0037

ACCEPTED FOR PRODUCTION	DATE	SIGNATURE

MICROBOX