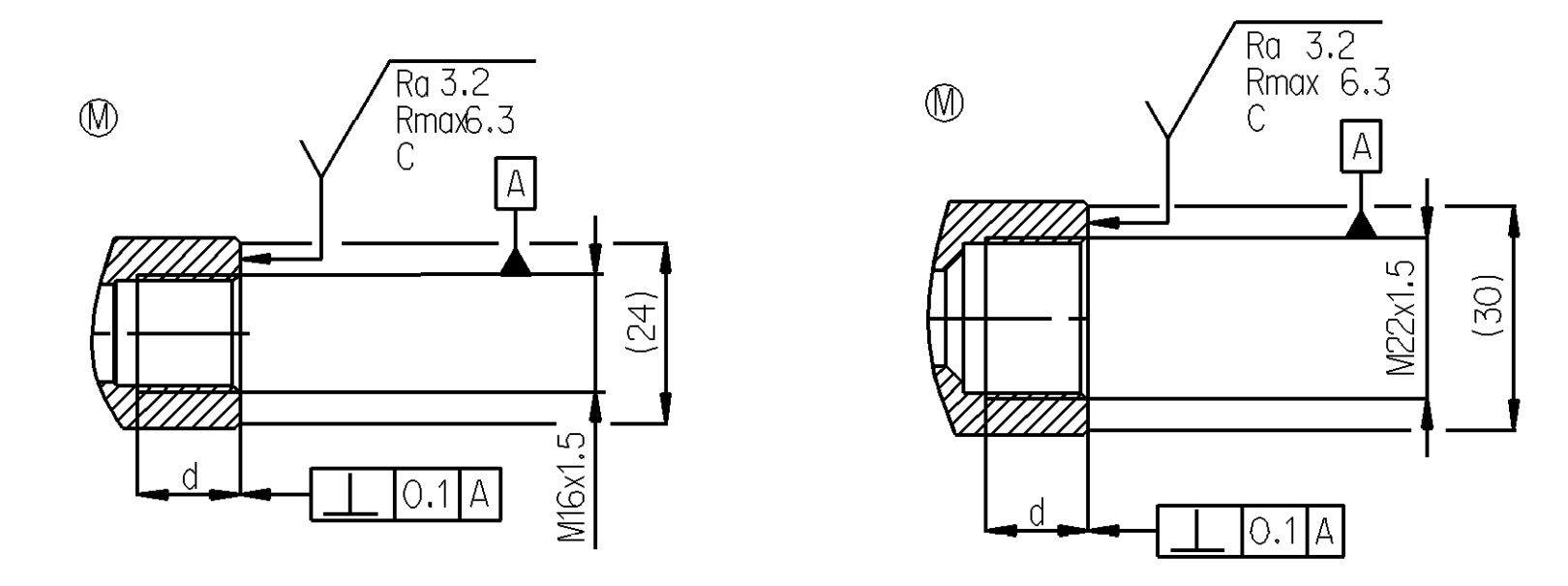
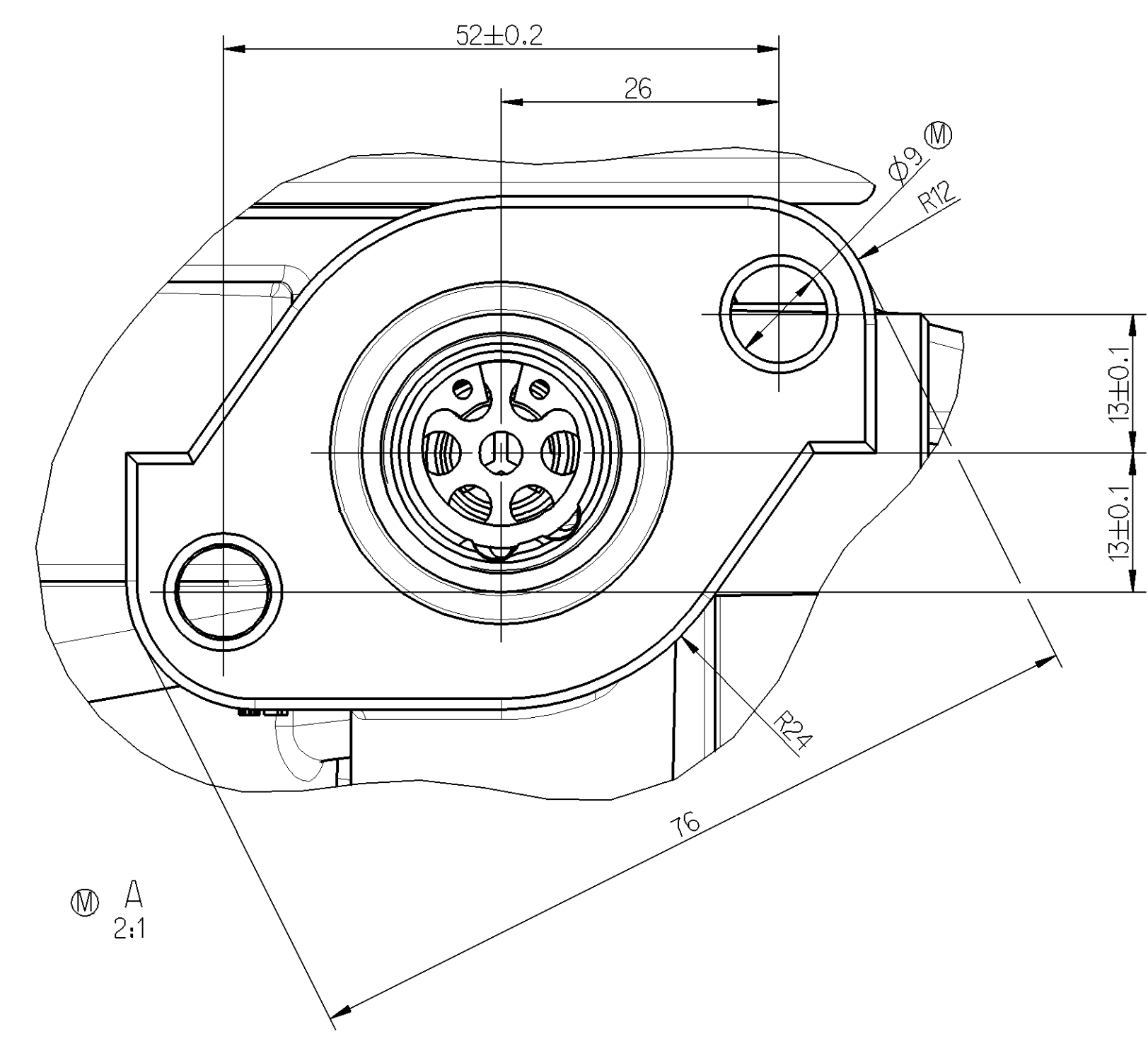
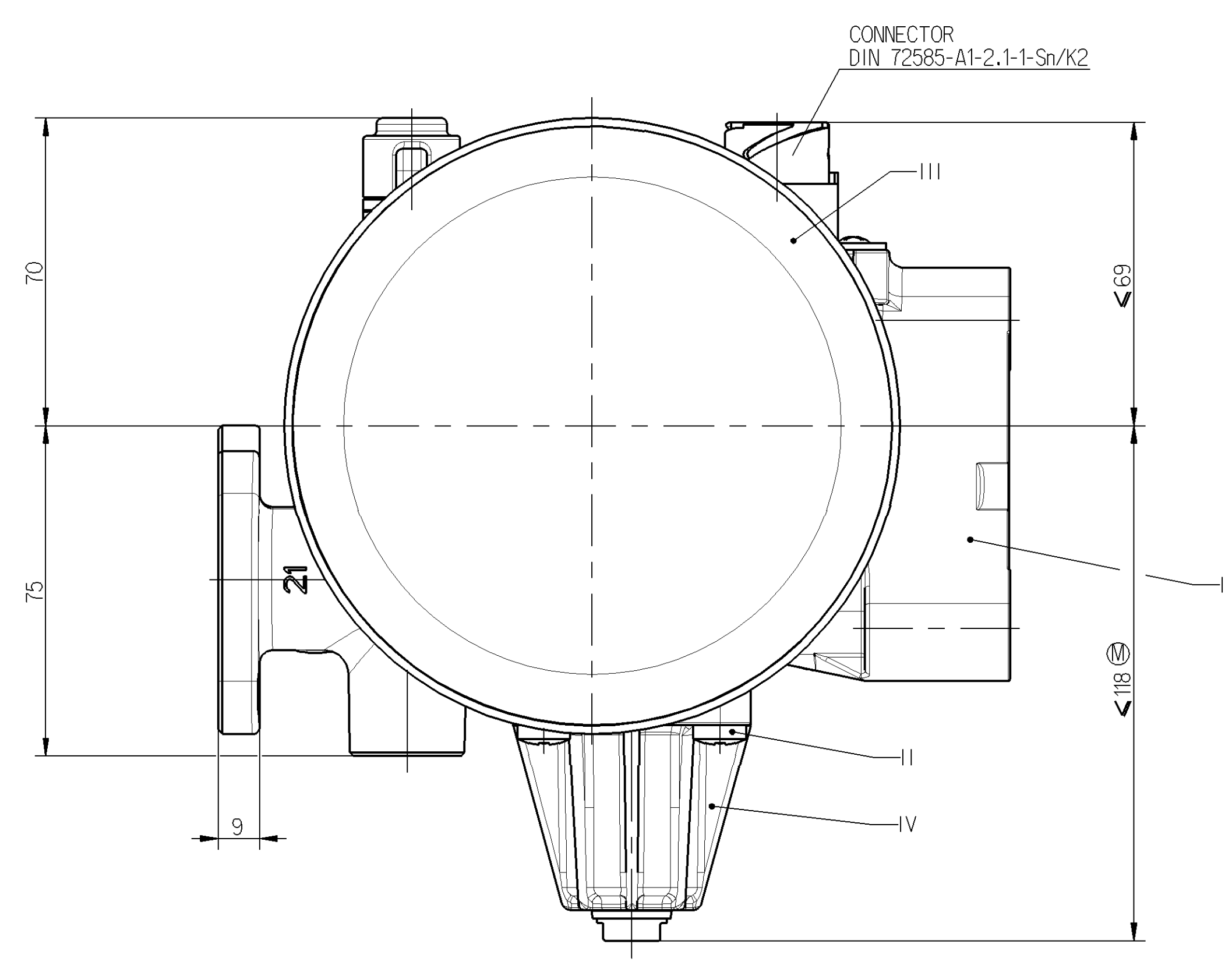
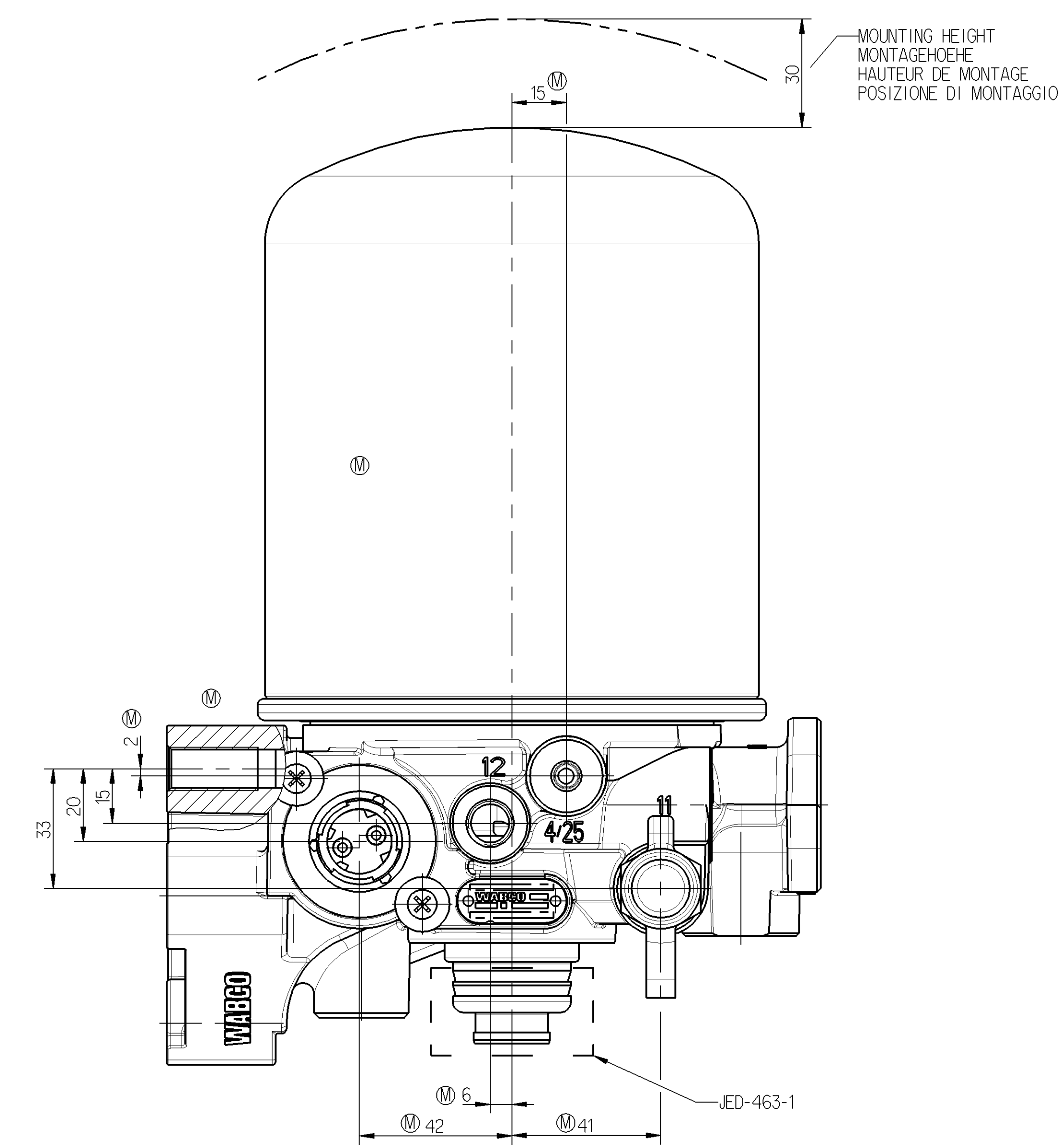
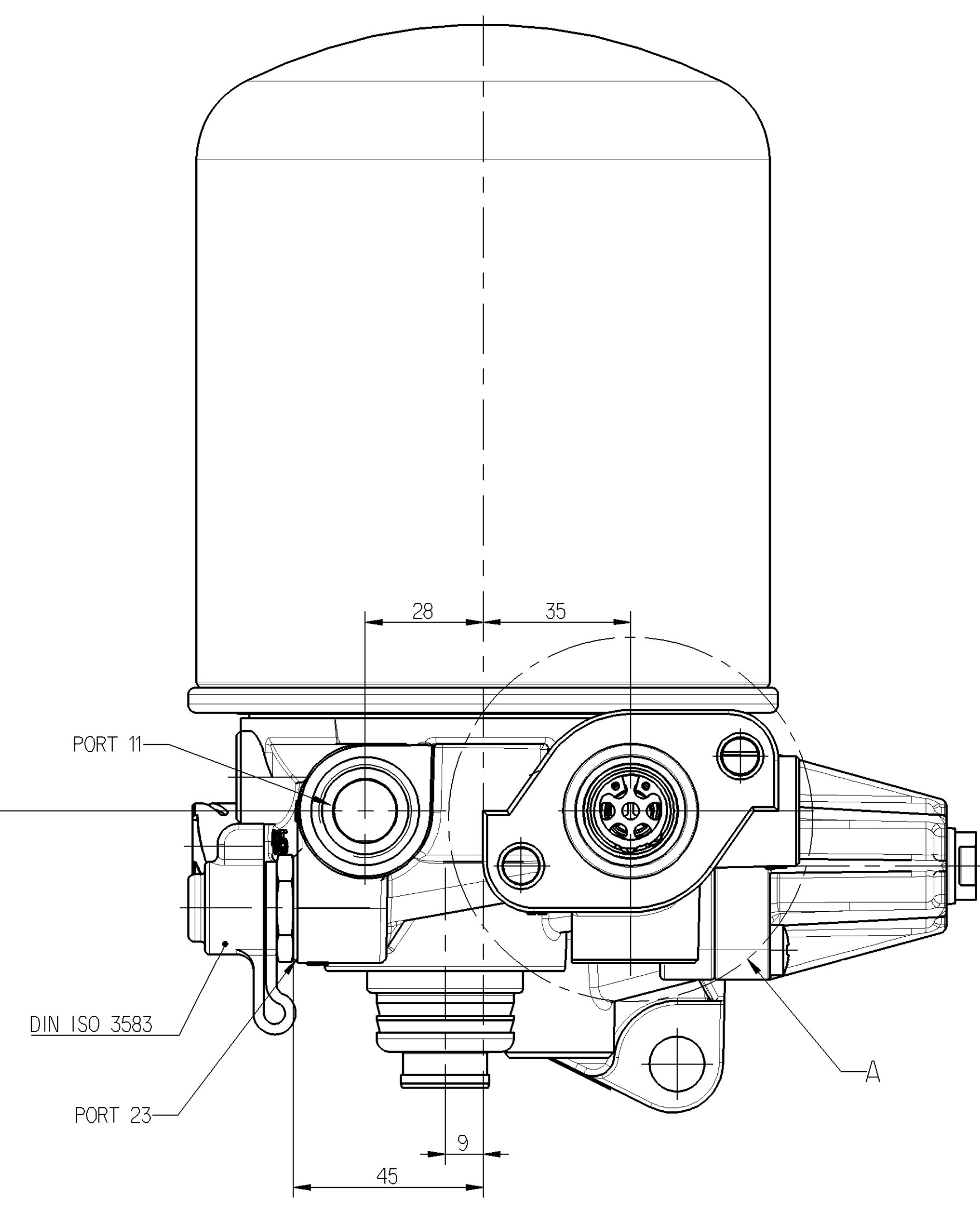
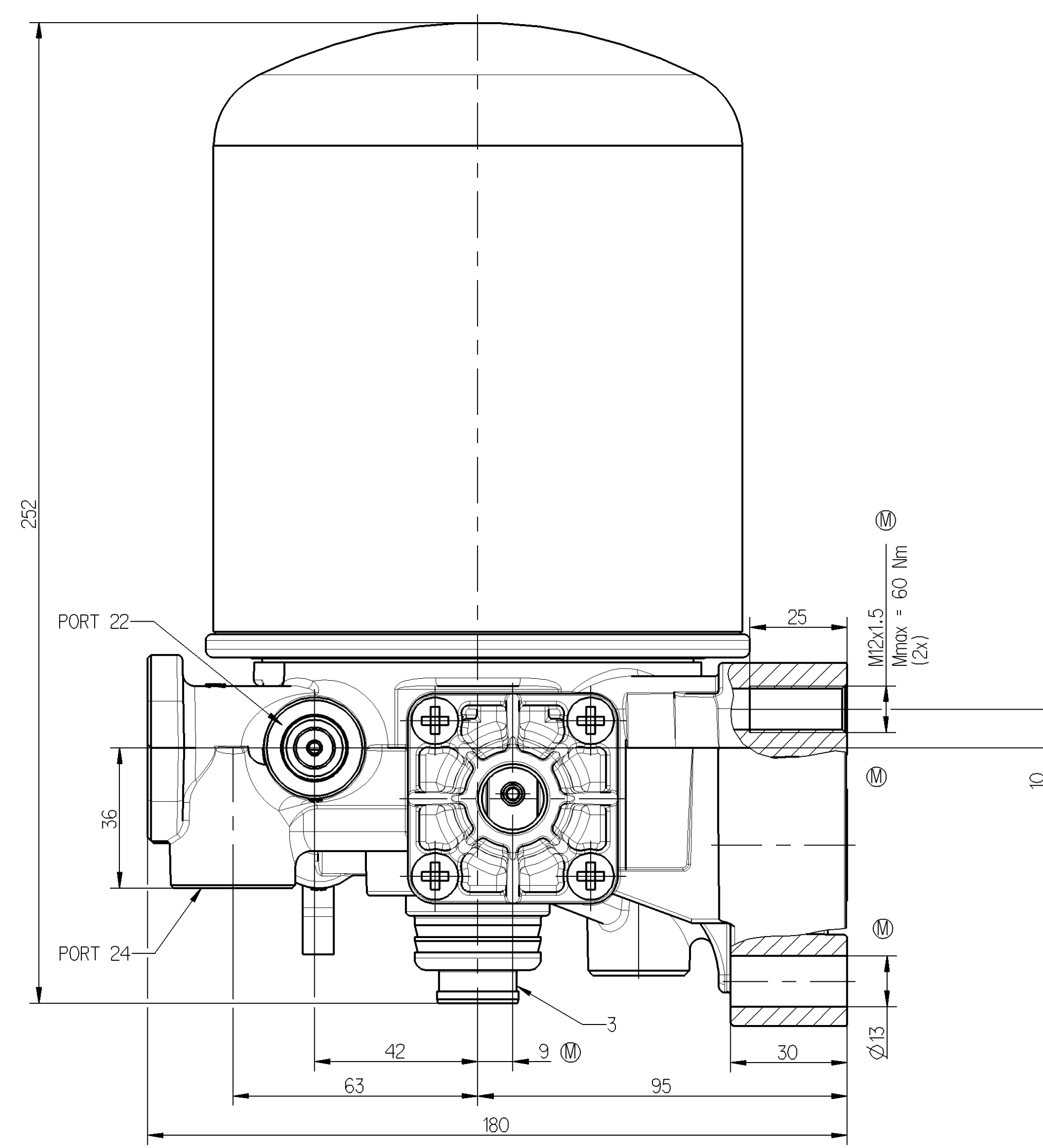
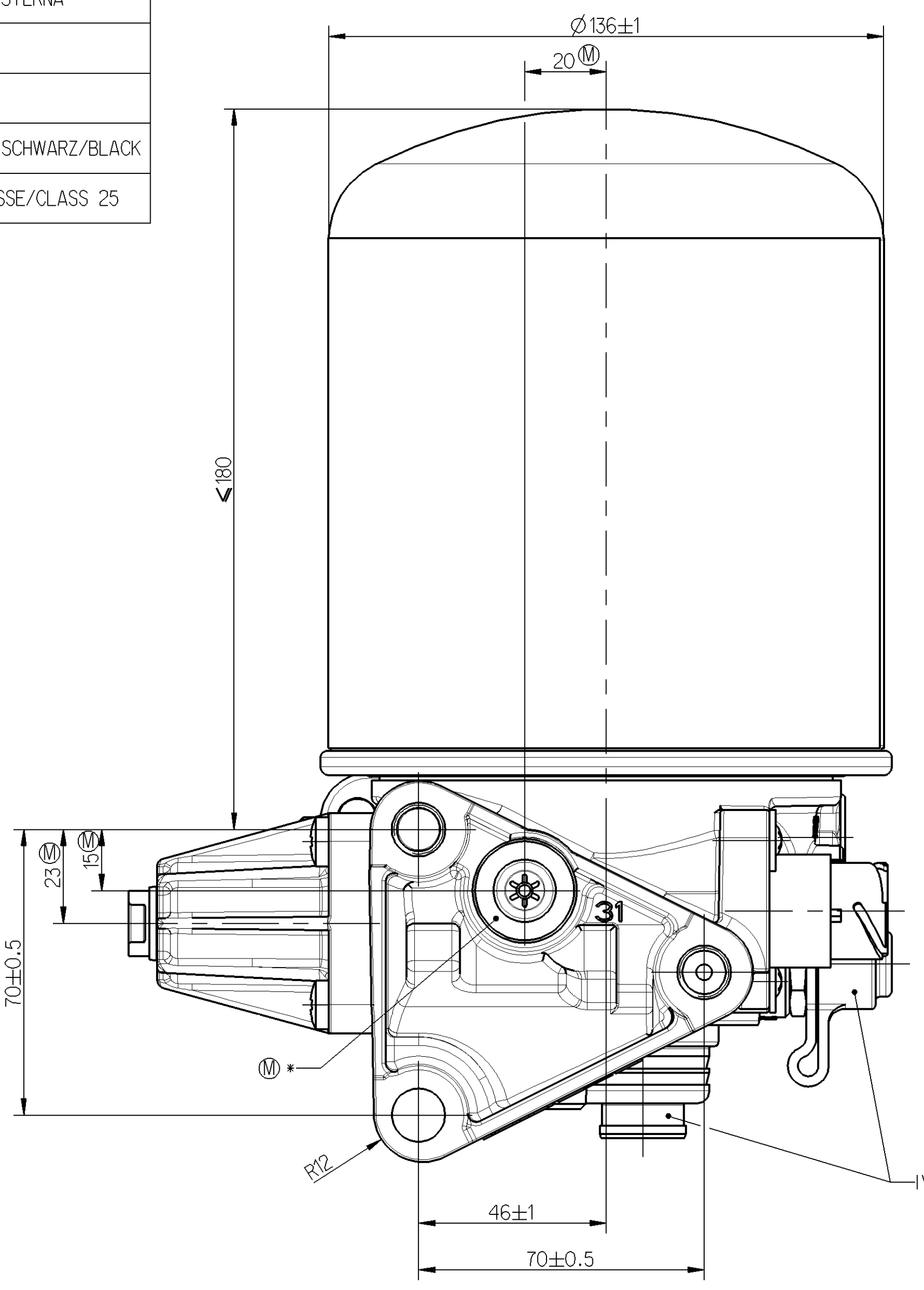


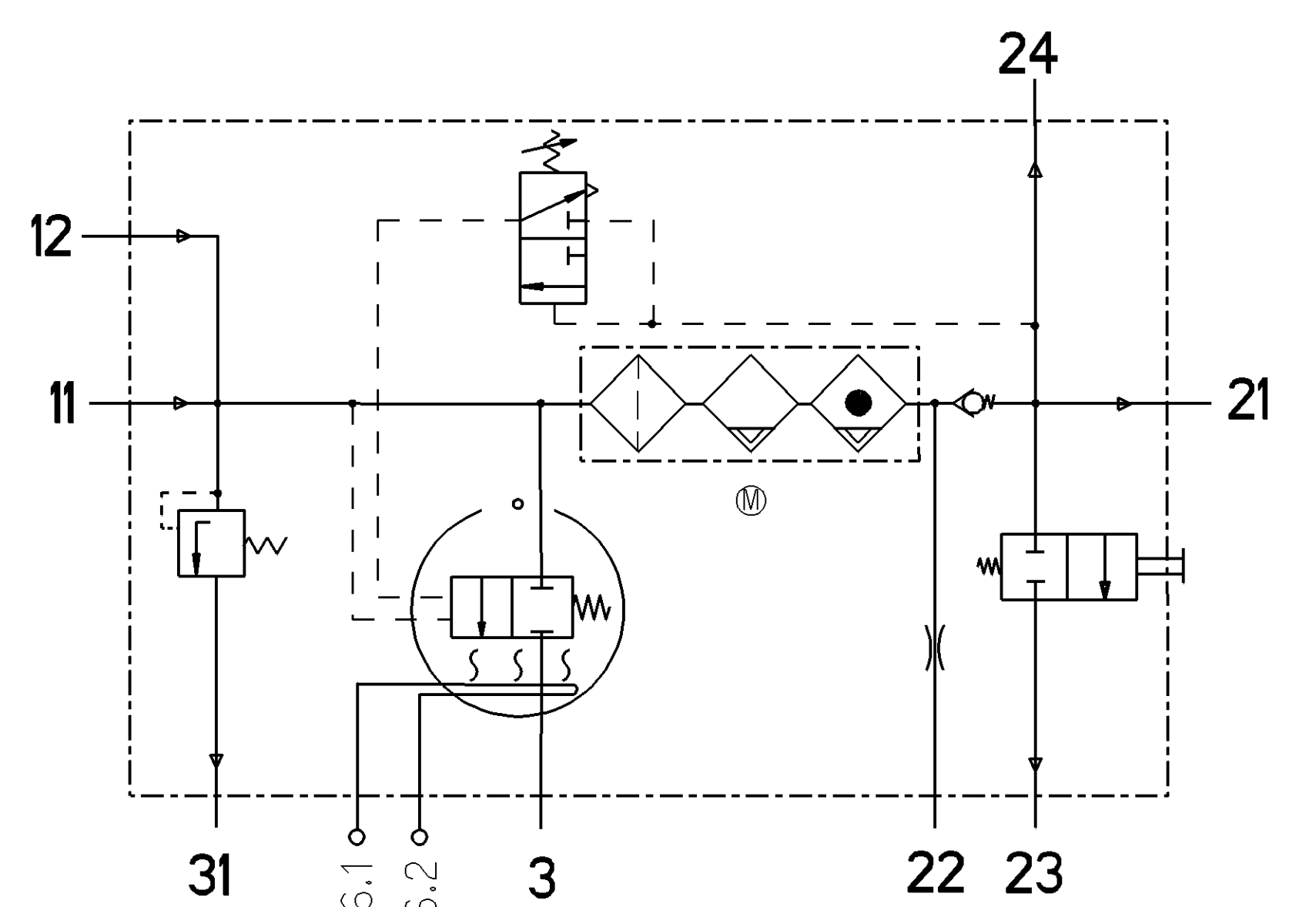
I	JED-259
II	JED-256
III	JED-471 SCHWARZ/BLACK
IV	JED-KLASSE/CLASS 25



PORT ANSCHLUSS ORIFICE GRIFIZIO	FUNCTION FONCTION FUNZIONE	THREAD GEWINDE FILETAGE FILETTURA
11	FROM THE COMPRESSOR VOM KOMPRESSOR PROVENANT DU COMPRESSEUR PROVENIENTE DEL COMPRESORE	M22x1.5 d=15 <sup>+0.5</sup> <sub>0</sub>
12	EXTERNAL FILLING FREMDBEFUELLUNG ALIMENTATION DE L'EXTERIEUR ALIMENTAZIONE SEPARATA	M12x1.5
21	TO PROTECTION VALVE ZUM SCHUTZVENTIL AU VALVE DE PROTECTION A VALVOLA DI PROTEZIONE	M22x1.5 d=15 <sup>+0.5</sup> <sub>0</sub>
22	TO RESERVOIR FOR REGENERATION AIR ZUM REGENERATIONS-LUFTBEHALTER AU RESERVOIR D'AIR DE REGENERATION AL SERBATOIO PER L'ARIA RIGENERATA	M16x1.5 JED-388
23	TIRE INFLATION DEVICE REIFENFUELLANSCHLUSS PRISE POUR CONFORAGE PNEU PRESA PER CONFIAGGIO PNEUM.	M16x1.5 d=12 <sup>+1</sup> <sub>0</sub>
24	TO AIR SUSPENSION RESERVOIR ZUM LUFTFEDERBEHALTER AU RESERVOIR DE LA SUSPENSION PNEUMATICA A SERBATOIO DELLA SUSPENSIONE PNEUMATICA.	M22x1.5 JED-388
3	EXHAUST FOR COMPRESSOR IDLING ENTLUFTUNG BEI KOMPRESSOR-LEERLAUF ECHAPPMENT FOUR MARCHE A VIDE DU COMPRESSEUR SCARICO PER MARCIA A FOLLE DEL COMPRESORE	
31	EXHAUST OF THE SAFETY VALVE ENTLUFTUNG DES SICHERHEITSVENTILES ACHAPPMENT DE LA SOUPAPE DE SECURITE SCARICO DELLA VALVOLA DI SICUREZZA	M22x1.5 d=18.6 <sup>+1</sup> <sub>0</sub>
4/25	NOT MACHINED NICHT BEARBEITET SANS USINAGE SENZA LAVORAZIONE	
6	HEATING HEIZUNG CHAUFFAGE RISCALDAMENTO	

TECHNICAL DATA, TECHNISCHE DATEN, CARACTERISTIQUES TECHNIQUES, CARATTERISTICHE TECNICHE

<p>RESISTANCE TO HEAT: WÄRMEBESTAENDIGKEIT: RESISTANCE A LA CHALEUR: RESISTANZA AL CALORE:</p> <p>MEDIUM: COMPRESSED AIR MEDIUM: DRUCKLUFT FLUIDE: AIR COMPRIE FLUIDO: ARIA COMPRESSA</p> <p>WORKING PRESSURE: BEFRIEDRUCK: PRESSION DE SERVICE: PRESSIONE D'ESERCIZIO:</p> <p>MAX. PERMISSIBLE FREQUENCY MAX. ZULAESSIGE FREQUENZ MAX. AMMISSIBILE FREQUENZA MAX. AMMISSIBILE FREQUENZA</p> <p>MAX. PERMISSIBLE ACCELERATION MAX. ZULAESSIGE BESCHLEUNIGUNG ACCELERATION MAX. AMMISSIBILE ACCELERAZIONE MAX. AMMESSA</p>	<p>COMBINED UNLOADER: DRUCKREGLER: REGULATEUR DE PRESSION: GRUPPO DI REGOLAZIONE:</p> <p>OUT OUT PRESSURE: PRESSION D'OUVERTURE: PRESSIONE D'APERTURA:</p> <p>OPERATING RANGE: SCHALTSPANNE: PLAGE DE REGULATTION: GAMME DI REGOLAZIONE:</p> <p>SECURITY VALVE: SICHERHEITSVENTIL: SOUPAPE DE SECURITE: VALVOLA DI SICUREZZA:</p> <p>OPENING PRESSURE: OEFNUNGSDRUCK: PRESSION D'OUVERTURE: PRESSIONE D'APERTURA:</p>	<p>HEATING: HEIZUNG: CHAUFFAGE: RISCALDAMENTO:</p> <p>POWER : LEISTUNG : PUISSANCE : POTENZA :</p> <p>VOLTAGE : SPANNUNG : VOLTAGE : VOLTAGGIO :</p> <p>OUT IN TEMPERATURE EINSCHALT - TEMPERATUR TEMPERATURE DE FERMETURE TEMPERATURA DI CHIUSURA</p> <p>OUT OUT TEMPERATURE AUSSCHALT-TEMPERATUR TEMPERATURE DE MISE TEMPERATURA DI APERTURA</p>
<p>Thermal range of continuous application: THERMISCHER DAUERANWENDUNGSBEREICH: PLAGE DE TEMPERATURE EN UTILISATION CONTINUE: COMPO DI APPLICAZIONE CONTINUA:</p> <p>-40°C... +65°C</p>	<p>12.0 ±0.3 bar</p> <p>1.50 ±0.25 bar</p> <p>Pe MAX. = 13bar</p> <p>50 Hz</p> <p>14.5 <sup>+2.5</sup><sub>0</sub> bar</p> <p>15g</p>	<p>100W</p> <p>24.0 +4.8/-2.4 V DC</p> <p>7 ±6 °C</p> <p>29.5 ±3 °C</p>



Size Range/ Partikelgr. ØBe- klasse	Size of particle/ Partikelgr. ØBe [µm]	Contamination Category/ Kontaminations- Schlüssel	quantity per 1,000cm <sup>2</sup> / Partikelanzahl je 1.000cm <sup>2</sup>
F	100 ≤ x < 150	8	250
G	150 ≤ x < 200	6	64
H	200 ≤ x < 400	5	32
I	400 ≤ x < 600	4	16
J	600 ≤ x < 1000	3	8
K	1000 ≤ x	00	0

\* Free from point  
Farbfrei  
Exempte de peinture  
Non verniciare

General Specification: JED-354-0

Further Technical Data: Sheet: To: 2011-05-16

WABCO AIR DRIVER  
LUFTTROCKNER  
DESSICATEUR D'AIR  
ESSICCATORE D'ARIA

932 400 002 0

005 ML 1/1

25 x M 5050