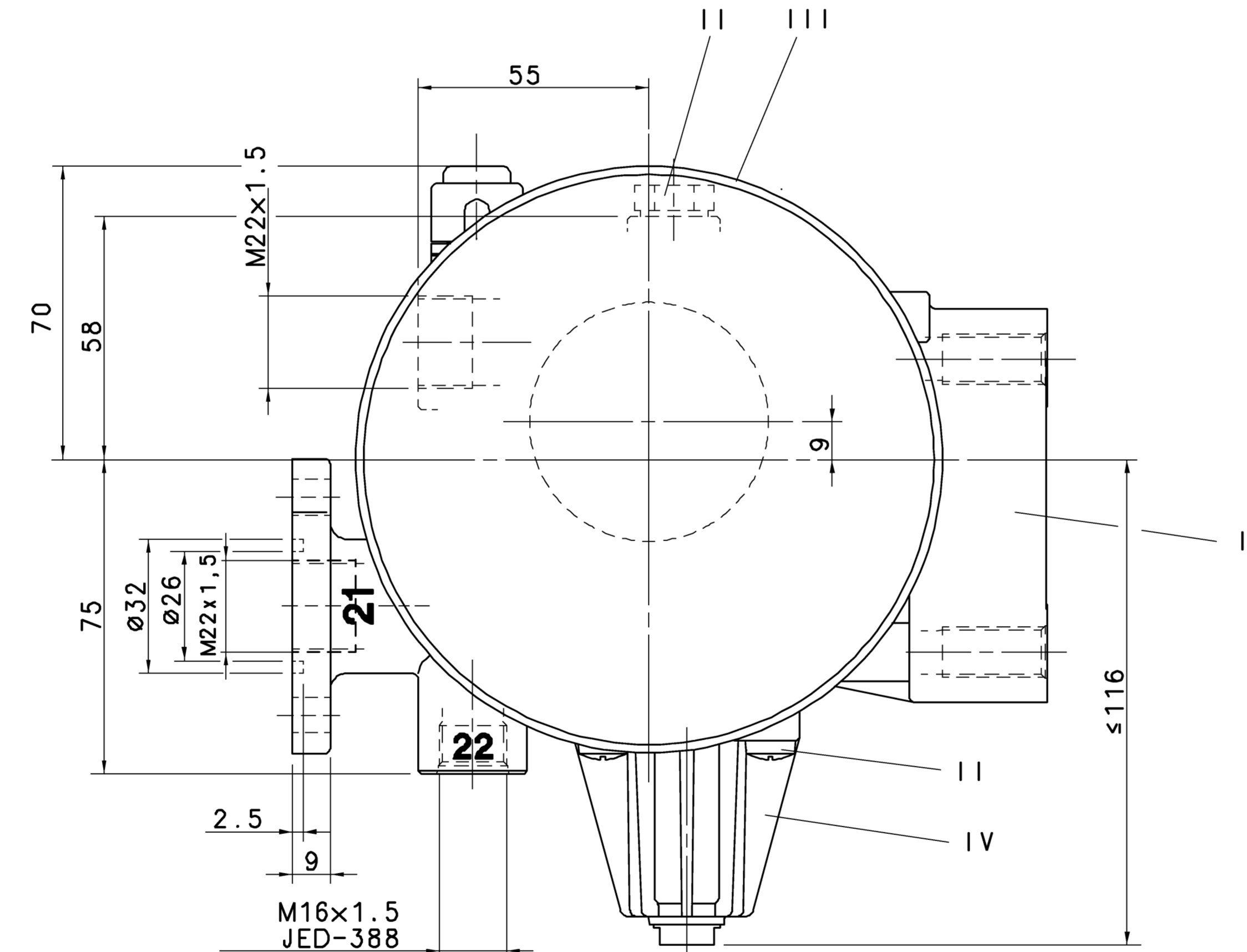
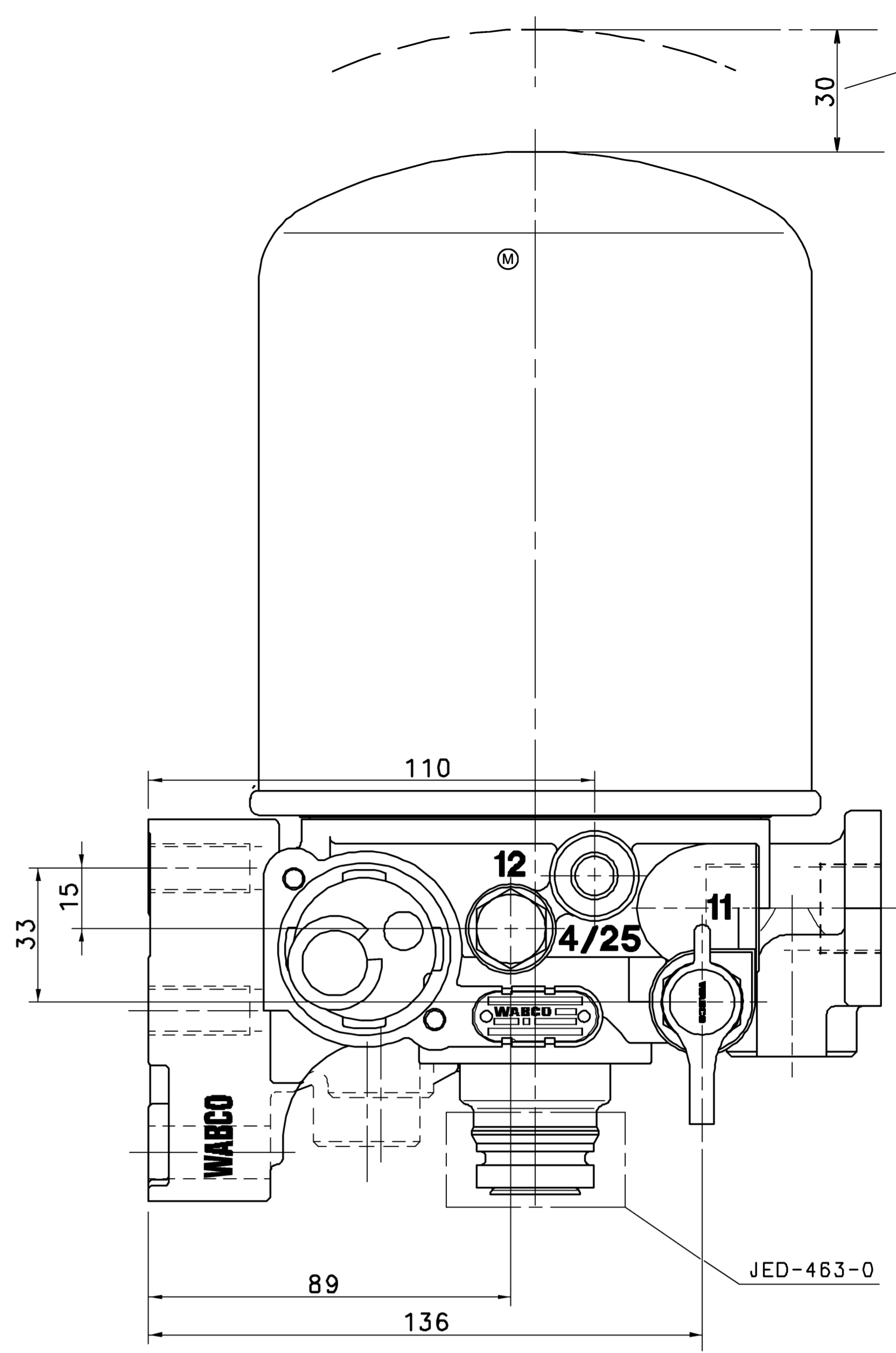
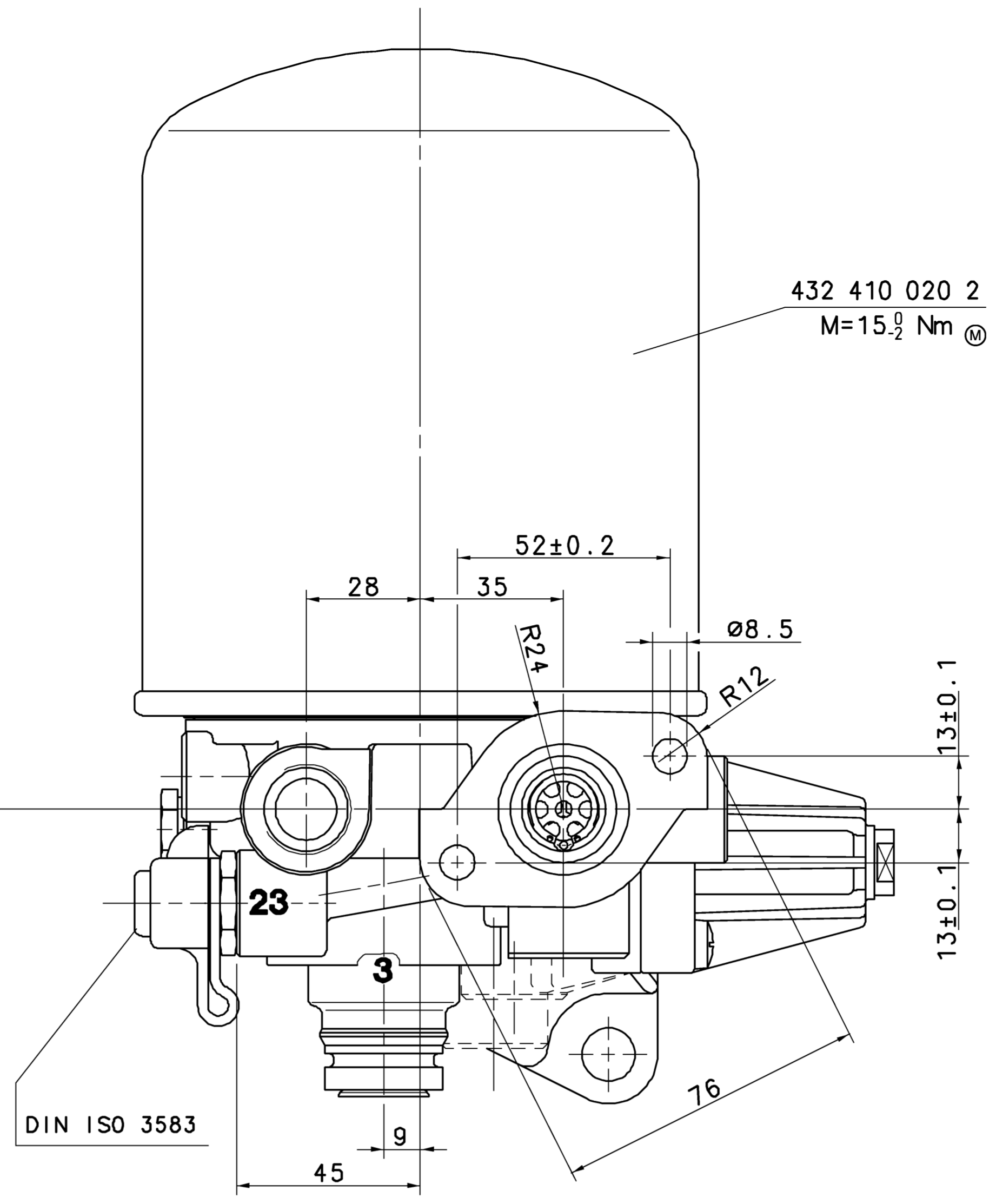
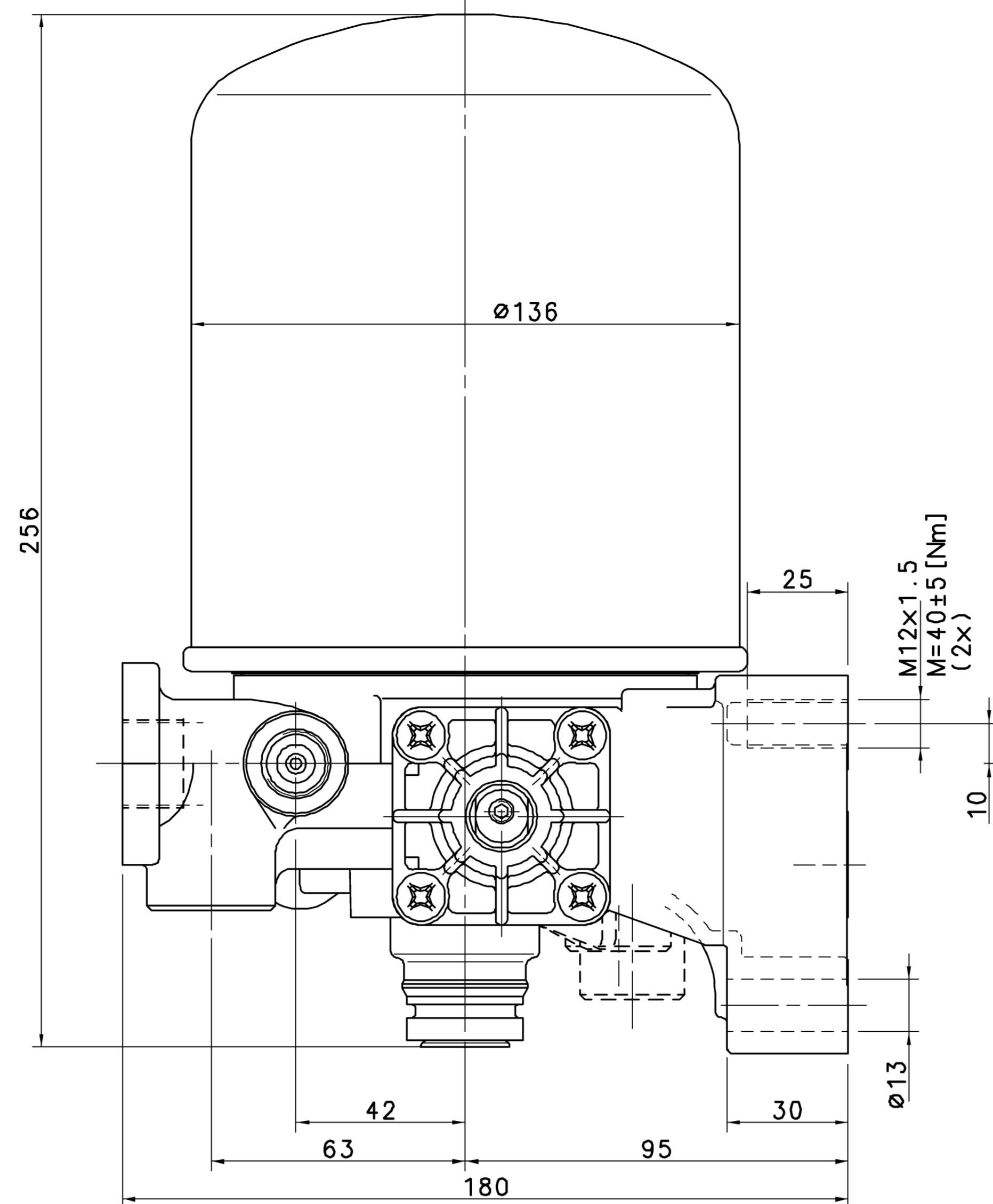
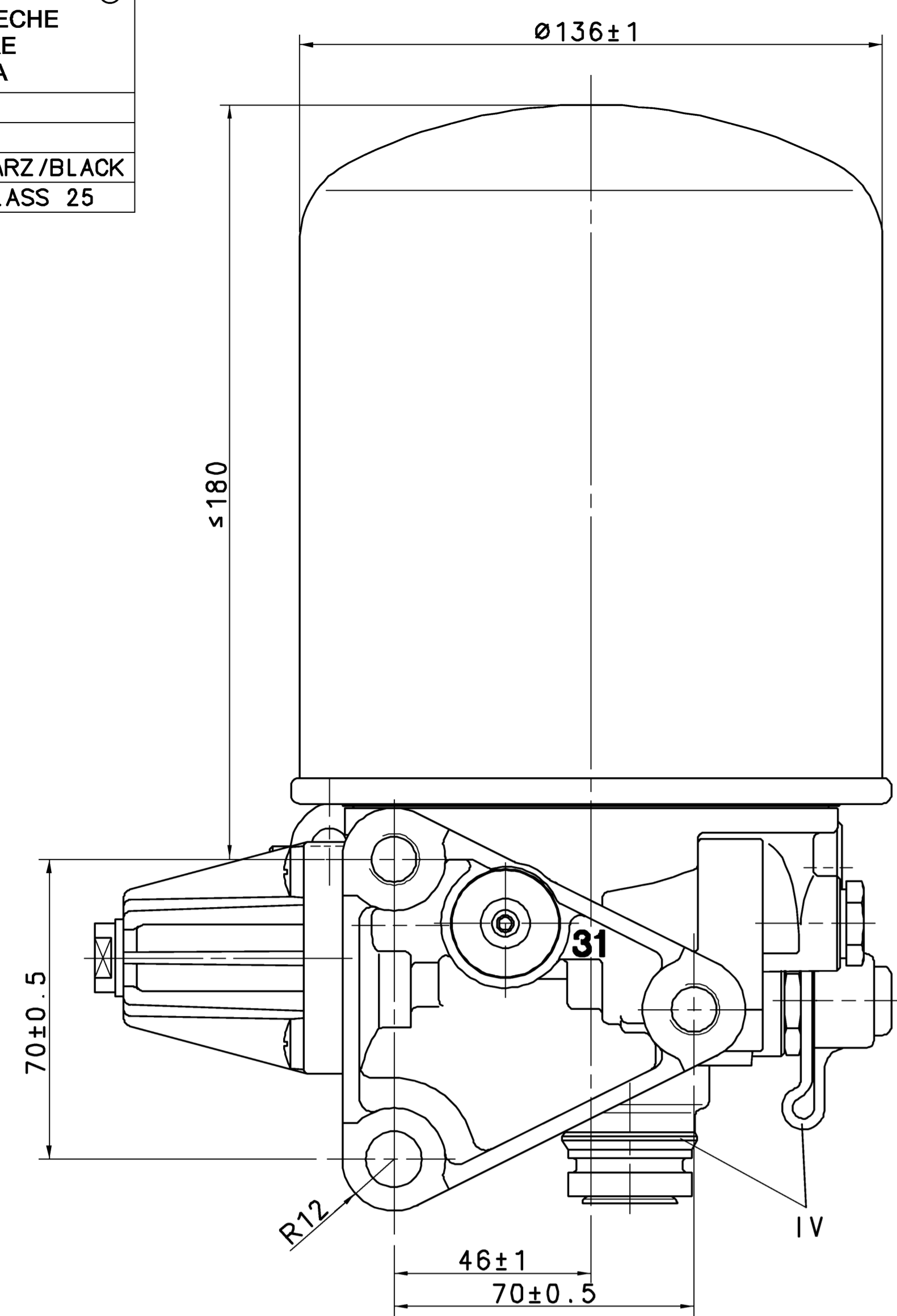


|                      |                       |
|----------------------|-----------------------|
| EXTERNAL SURFACE     |                       |
| AEUSSERE OBERFLAECHE |                       |
| SURFACE EXTERIEURE   |                       |
| SUPERFICIE ESTERNA   |                       |
| I                    | JED-259               |
| II                   | JED-256               |
| III                  | JED-471 SCHWARZ/BLACK |
| IV                   | JED-KLASSE/GLASS 25   |



MOUNTING HEIGHT  
MONTAGEHOEHE  
HAUTEUR DE MONTAGE  
POSIZIONE DI MONTAGGIO

- 11** FROM THE COMPRESSOR  
VOM KOMPRESSOR  
PROVENANT DU COMPRESSEUR  
PROVENIENTE DEL COMPRESORE
- 12** EXTERNAL FILLING  
FREMBEFUELLUNG  
ALIMENTATION DE L'EXTERIEUR  
ALIMENTAZIONE SEPARATA
- 21** TO PROTECTION VALVE  
ZUM SCHUTZVENTIL  
AU VALVE DE PROTECTION  
A VALVOLA DI PROTEZIONE
- 22** TO RESERVOIR FOR REGENERATION AIR  
ZUM REGENERATIONS-LUFTBEHAELTER  
AU RESERVOIR D' AIR DE REGENERATION  
AL SERBATOIO PER L' ARIA RIGENERATA
- 23** TIRE INFLATION DEVICE  
REIFENFUELLANSCHLUSS  
PRISE POUR GONFLAGE PNEU  
PRESA PER GONFIAGGIO PNEUM.
- 3** EXHAUST FOR COMPRESSOR IDLING  
ENTLUEFTUNG BEI KOMPRESSOR-LEERLAUF  
ECHARPEMENT POUR MARCHE A VIDE DU COMPRESSEUR  
SCARICO PER MARCIA A FOLLE DEL COMPRESORE
- 31** EXHAUST OF THE SAFETY VALVE  
ENTLUEFTUNG DES SICHERHEITSVENTILES  
ECHARPEMENT DE LA SOUPEAPE DE SECURITE  
SCARICO DELLA VALVOLA DI SICUREZZA

TECHNICAL DATA, TECHNISCHE DATEN, CARACTERISTIQUES TECHNIQUES, CARATTERISTICHE TECNICHE

THERMAL RANGE OF CONTINUOUS APPLICATION:  
THERMISCHER DAUERANWENDUNGSBEREICH: -40°C....+65°C  
PLAGE DE TEMPERATURE EN UTILISATION CONTINUE: -40°C....+65°C  
COMPO DI APPLICAZIONE CONTINUA:

RESISTANCE TO HEAT:  
WAERMEBESTAENDIGKEIT: MAX. +80°C  
RESISTANCE A LA CHALEUR:  
RESISTANZA AL CALORE:

MEDIUM: COMPRESSED AIR  
MEDIUM: DRUCKLUFT  
FLUIDE: AIR COMPRIME  
FLUIDO: ARIA COMPRESSA

WORKING PRESSURE:  
BETRIEBSDRUCK: P<sub>g</sub> max. = 13bar  
PRESSION DE SERVICE:  
PRESSIONE D' ESERCIZIO:

MAX. PERMISSIBLE FREQUENCY  
MAX. ZULASSIGE FREQUENZ 50 Hz  
MAX. ADMISSIBLE FREQUENZE  
MAX. AMMISSIBILE FREQUENZA

MAX. PERMISSIBLE ACCELERATION:  
MAX. ZULASSIGE BESCHLEUNIGUNG: ±15xg  
ACCELERATION MAX. ADMISSIBILE:  
ACCELERAZIONE MAX. AMMESSA:

INSTALLATION POSITION AS DRAWN  
EINBAULAGE WIE GEZEICHNET  
POSITION D' INSTALLATION SUIVANT DESSIN  
POSIZIONE DI MONTAGGIO COME DISEGNATO

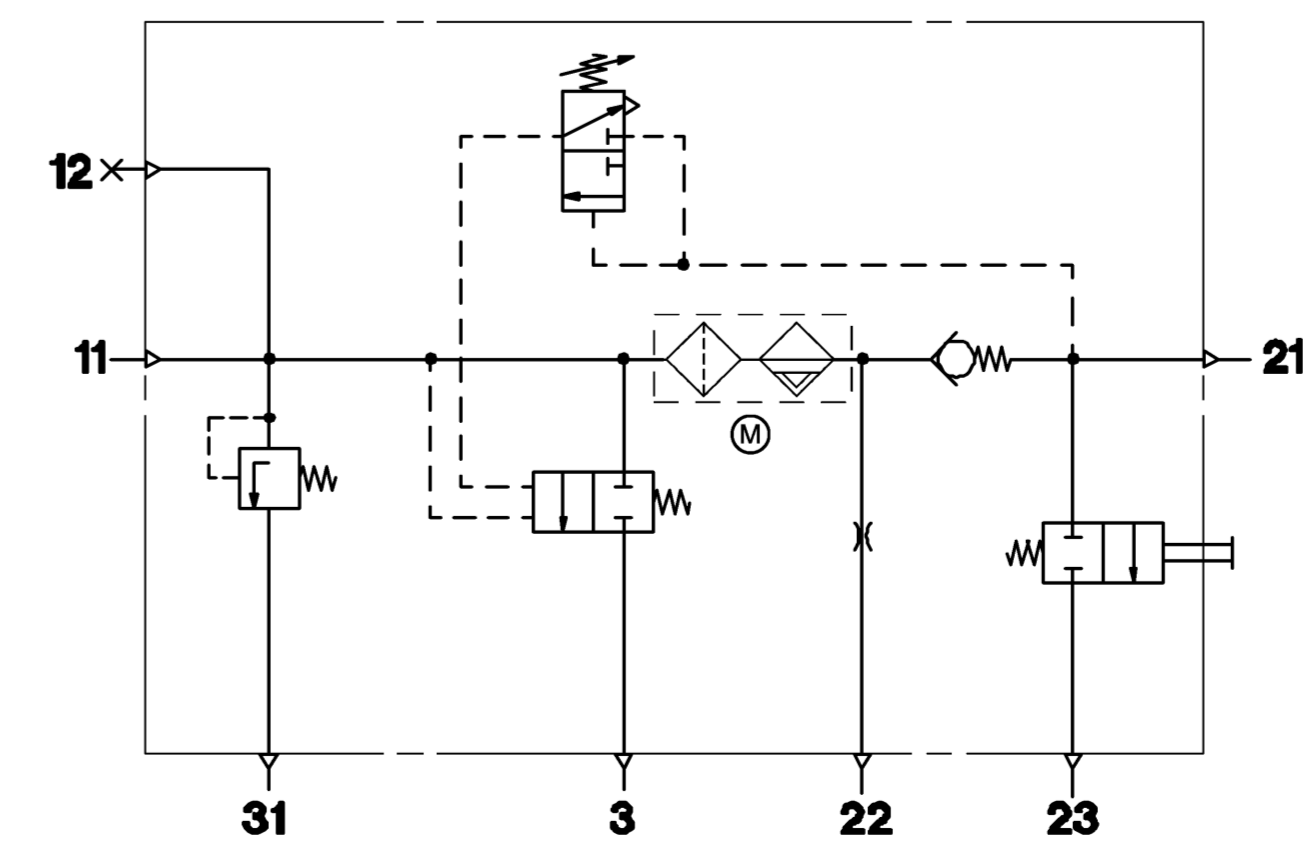
COMBINED UNLOADER:  
DRUCKREGLER:  
REGULATEUR DE PRESSION:  
GRUPPO DI REGOLAZIONE:

CUT OUT PRESSURE:  
ABSCHALTDRUCK: 10 ± 0.2 bar  
PRESSION D' OUVERTURE:  
PRESSIONE D' APERTURA:

OPERATING RANGE:  
SCHALTSPANNE: 0.7 +0.6  
0 bar  
PLAGE DE REGULATION:  
GAMME DI REGOLAZIONE:

SECURITY VALVE:  
SICHERHEITSVENTIL:  
SOUPEAPE DE SECURITE:  
VALVOLA DI SICUREZZA:

OPENING PRESSURE:  
OFFNUNGSDRUCK: 14.5 +2.5  
0 bar  
PRESSION D'OUVERTURE:  
PRESSIONE D' APERTURA:



|   |      |                              |      |  |      |
|---|------|------------------------------|------|--|------|
| General Specifications: JED-388, Size 150 14451 E |      | Copyright WABCO              |      | <b>WABCO</b>   |      |
| Further Technical Data:                           |      | Date: 2013-05-07             |      | Signature: Kurzynski   |      |
| Doc. Code: 008                                    |      | General Information: JED-388 |      | AIR DRYER<br>LUFTTROCKNER<br>DESSICATEUR D' AIR<br>ESSICCATORE D' ARIA |      |
| Range of Nominal Dimensions (± mm)                |      | 2013-05-07                   |      | Copyright: Coplenowski   |      |
| Class 1)  | <150 | >150                         | <180 | >180   | >400 |
| Class 2)  | 0.5  | 1.0                          | 1.5  | 2.0  | 3.0  |
| Class 3)  | 1.0  | 2.0                          | 3.0  | 4.0  | 5.0  |
| Class 4)  | 2.0  | 3.5                          | 5.0  | 6.5  | 8.0  |
| Type: A0  |      | Scale: 1:1                   |      | Date of Revision: 005  |      |
| Drawing Code: 932 400 003 0                       |      | Scale: 1:1                   |      | Sheet: 1/1   |      |
| Drawing Code: 932 400 003 0                       |      | Scale: 1:1                   |      | Sheet: 1/1   |      |