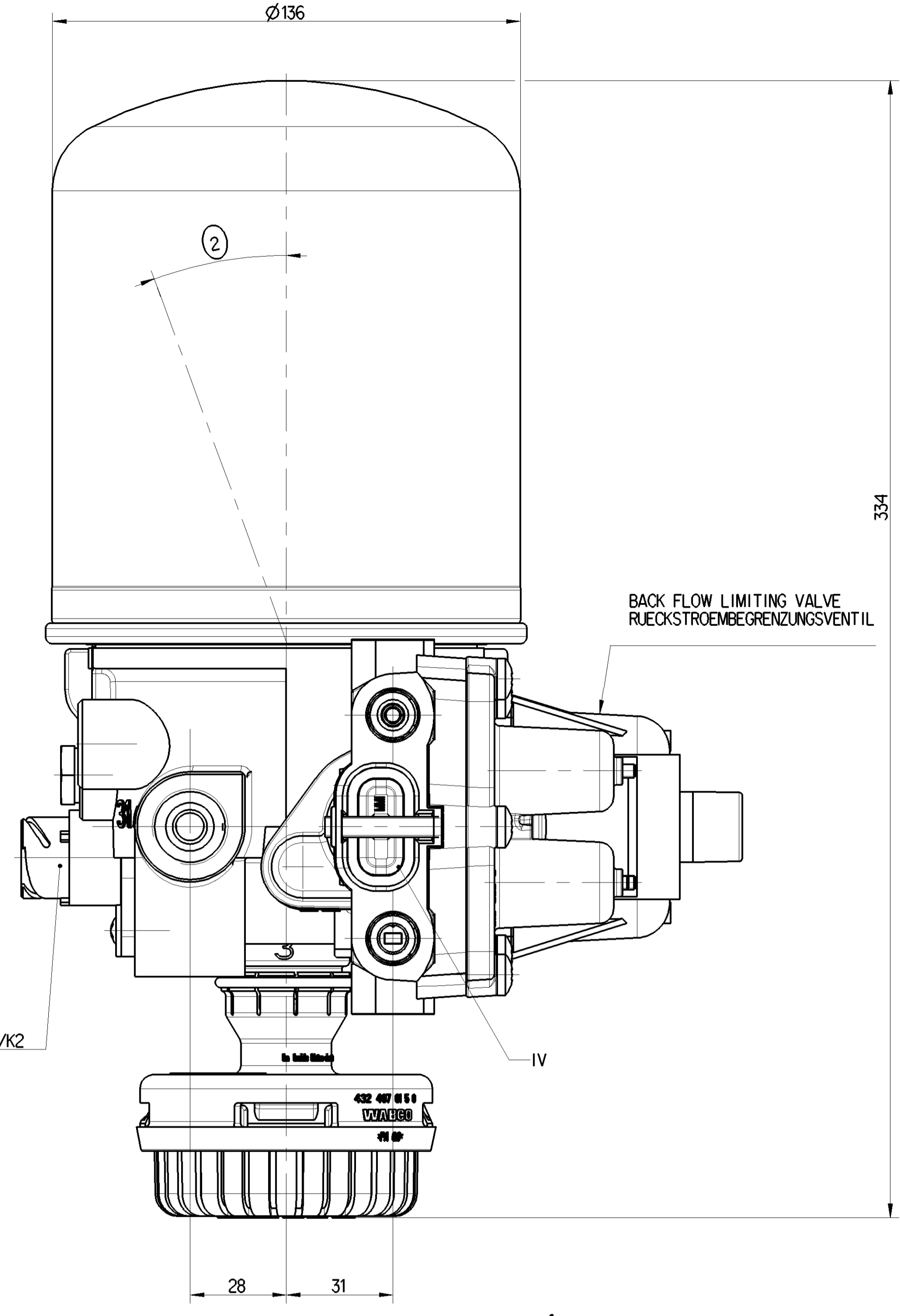
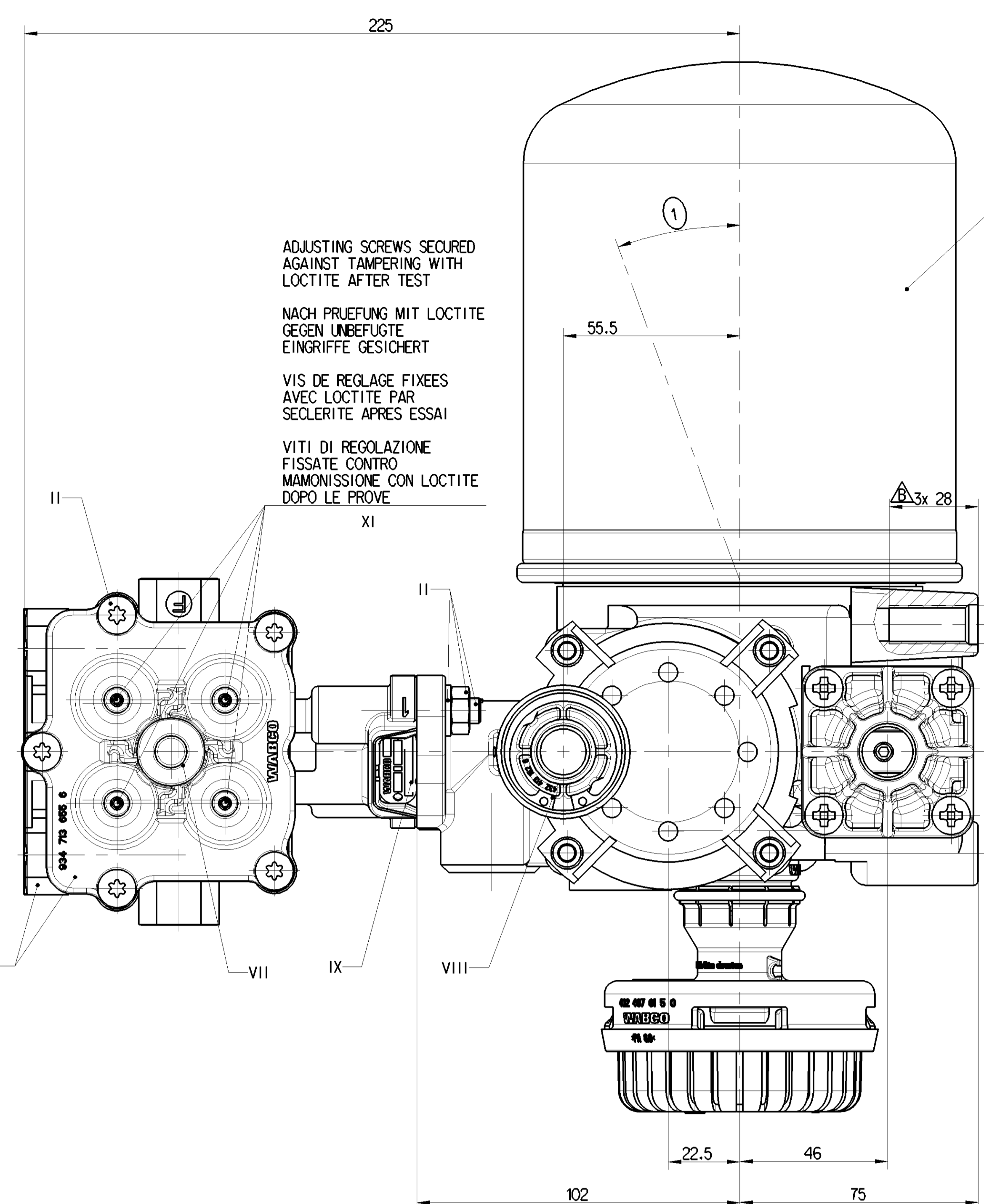
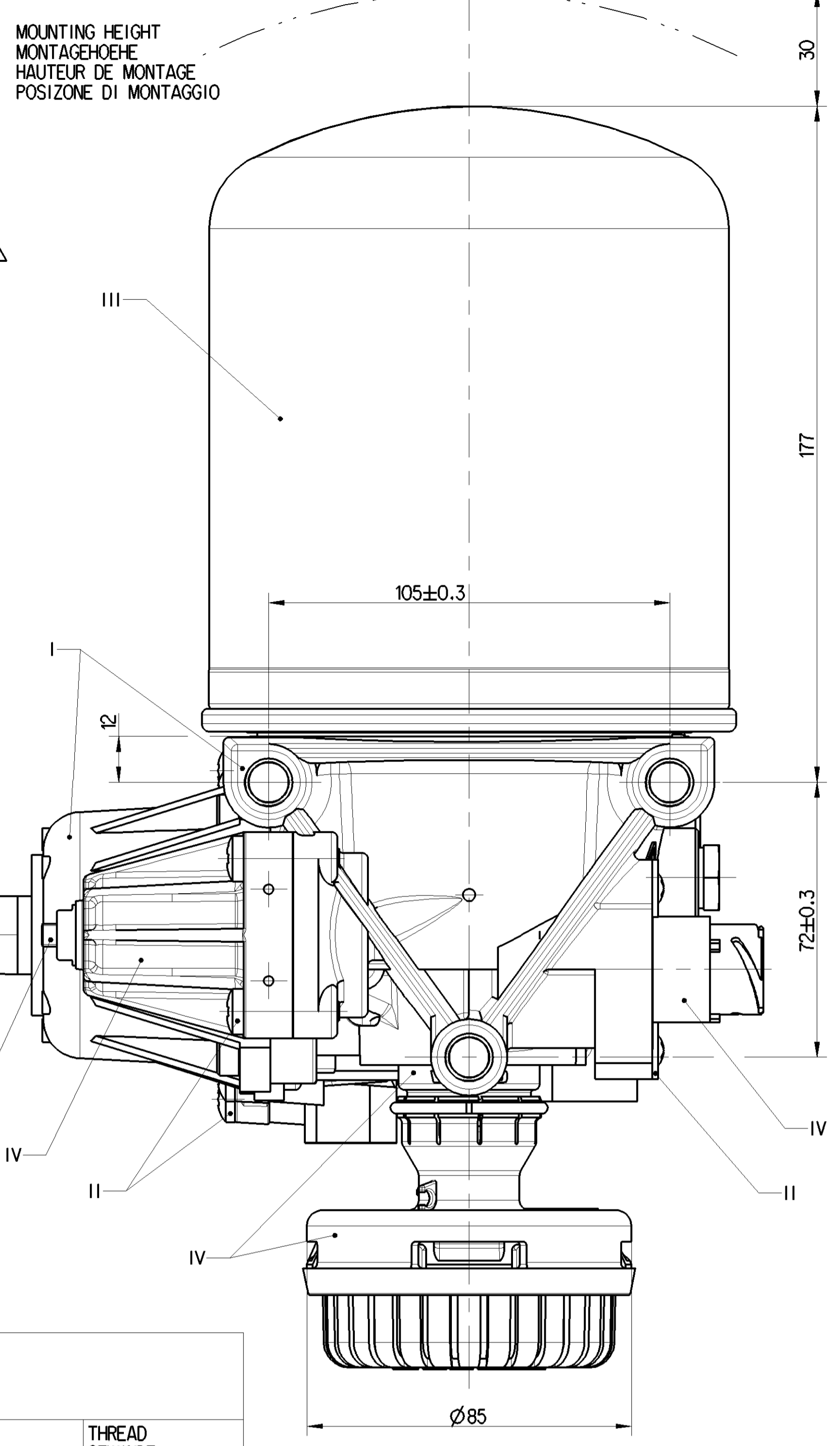


WABCO AIR DRYER: 432 415 061 0			
COMBINED UNLOADER	OPERATING RANGE	SAFETY PRESSURE OF THE PURGE VALVE AT	BACK FLOW LIMITING VALVE
Pe = (bar)	dP = (bar)	v = 100dm ³ /min	dP (bar)
9.5±0.2	0.8 ^{+0.4} ₀	14 ⁺³ ₀	0.55±0.05

PART CODE	MATERIAL	SURFACE PROTECTION
I	ALUMINIUM ALLOY	CHROMATED
II	STEEL	ZINK PLATED
III	STEEL	PAINTED
IV	PLASTIC	NO TREATMENT
V	BRASS	TIN AND COPPER COATING
VI	ZINC ALLOY	PASSIVATION
VII	RUBBER	NO TREATMENT
VIII	STELL	PHOSPHATING AND OILING
IX	ALUMINIUM ALLOY	ANODISED
XI	STEEL	NO TREATMENT

①	②
20°	20°
0°	60°



AIR DRYER LÜFTTROCKNER DESSICATEUR D'AIR ESSICCATORE D'ARIA		
PORT ANSCHLUSS ORIFICE ORIFIZIO	FUNCTION FUNCTION FONCTION FUNZIONE	THREAD GEWINDE FILETTAGE FILETTATURA
1	FROM THE COMPRESSOR VOM KOMPRESSOR PROVENANT DU COMPRESSEUR PROVENIENTE DEL COMPRESORE	M22x1,5 d=15 ^{+0.5} ₀
(2)	TO PROTECTION VALVE ZUM SCHUTZVENTIL AU VALVE DE PROTECTION A VALVOA DI PROTEZIONE	M22x1,5 d=45,3 ⁺¹ ₀
4	TO THE COMPRESSOR ZUM KOMPRESSOR AU COMPRESSEUR AL COMPRESORE	M12x1,5 d=12
3	EXHAUST FOR COMPRESSED AIR ENTLÜFTUNG FUER DRÜCKLUFT ÉCHAPPEMENT POUR AIR COMPRIME SCARICO PER ARIA COMPRESSA	SILENCER 432 407 015 0

QUAD CIRCUIT PROTECTION VALVE VIERKREIS-SCHUTZVENTIL VALVE DE PROTECTION (LA 4 CIRCUIT) VALVOA DI PROTEZIONE (LA 4 CIRCUIT)			
PORT ANSCHLUSS ORIFICE ORIFIZIO	FUNCTION FUNCTION FONCTION FUNZIONE	THREAD GEWINDE FILETTAGE FILETTATURA	CIRCUIT KREIS CIRCUITO CIRCUITO
(1)	FROM AIR DRYER VOM LÜFTTROCKNER DE DESSICATEUR D'AIR ESSICCATORE D'ARIA	M22x1,5	
21	SERVICE BRAKE BETRIEBSBREMSSE FREINAGE FRENATURA	3/8" NPTF	1
22	SERVICE BRAKE BETRIEBSBREMSSE FREINAGE FRENATURA	3/8" NPTF	2
23	TRAILER BRAKING SYSTEM ANHAENGER BREMSANLAGE SYSTEME DE FREINAGE DE LA REMORQUE FRENATURA DEL RIMORCHIO	3/8" NPTF	3
24	AUXILIARIES NEBENVERBRAUCHER AUXILIAIRES	3/8" NPTF	4

WABCO QUAD-VALVE: 934 714 153 0					
PORTS ORIFICES ANSCHLUESSE ATTACCHI	21	22	23	24	
OPENING PRESSURE DYNAMIC OFFENUNGSDRUCK DYNAMISCH PRESSION DE OUVERTURE DYNAM PRESSIONE DI APERTURA DINAM	BAR	6 ^{-0.3}	6 ^{-0.3}	7 ^{-0.3}	6 ^{-0.3}
CLOSING PRESSURE DYNAMIC SCHLIESSDRUCK DYNAMISCH PRESSION DE FERMETURE DYNAM PRESSIONE DI CHIUSURA DINAM	BAR		≥5.5		
CLOSING PRESSURE STATIC AT FAILURE OF CIRCUIT... SCHLIESSDRUCK STATISCH BEI AUSFALL VON KREIS... PRESSION DE FERMETURE STATIQUE EN CAS DE DEFAILLANCE DU CIRCUIT... PRESSIONE DI CHIUSURA STATICA IN CASO DI DIFETTO DEL CIRCUITO...	BAR	0	≥4.5	#	≥4.5
		≥4.5	0	≥4.5	≥4.5
		≥4.5	≥4.5	0	≥4.5
		≥4.5	≥4.5	≥4.5	0

THERMAL RANGE OF CONTINUOUS APPLICATION:
 THERMISCHER DAUERANWENDBEREICH:
 PLAGE DE TEMPERATURE EN UTILISATION CONTINUE:
 COMPO DI APPLICAZIONE CONTINUA. -40°C... +65°C

RESISTANCE TO HEAT:
 WÄRRESISTANDEIGKEIT:
 RESISTANCE A LA CHALEUR:
 RESISTANZA AL CALORE. +80°C MAX

MEDIUM, COMPRESSED AIR:
 MEDIUM, DRÜCKLUFT
 FLUIDE, AIR COMPRIME
 FLUIDO, ARIA COMPRESSA

WORKING PRESSURE:
 BETRIEBSDRUCK:
 PRESSION DE SERVICE:
 PRESSIONE D'ESERCIZIO. Pe MAX + 10 bar

MAX. PERMISSIBLE FREQUENCY:
 MAX. ZULÄSSIGE FREQUENZ:
 MAX. AMMISSIBILE FREQUENZA
 MAX. AMMISSIBILE FREQUENZA

MAX. PERMISSIBLE ACCELERATION:
 MAX. ZULÄSSIGE BESCHÜNIGUNG:
 ACCELERAZIONE MAX. AMMISSIBILE
 ACCELERAZIONE MAX. AMMISSIBILE

HEATING:
 HEIZUNG
 CHAUFFAGE
 RISCALDAMENTO

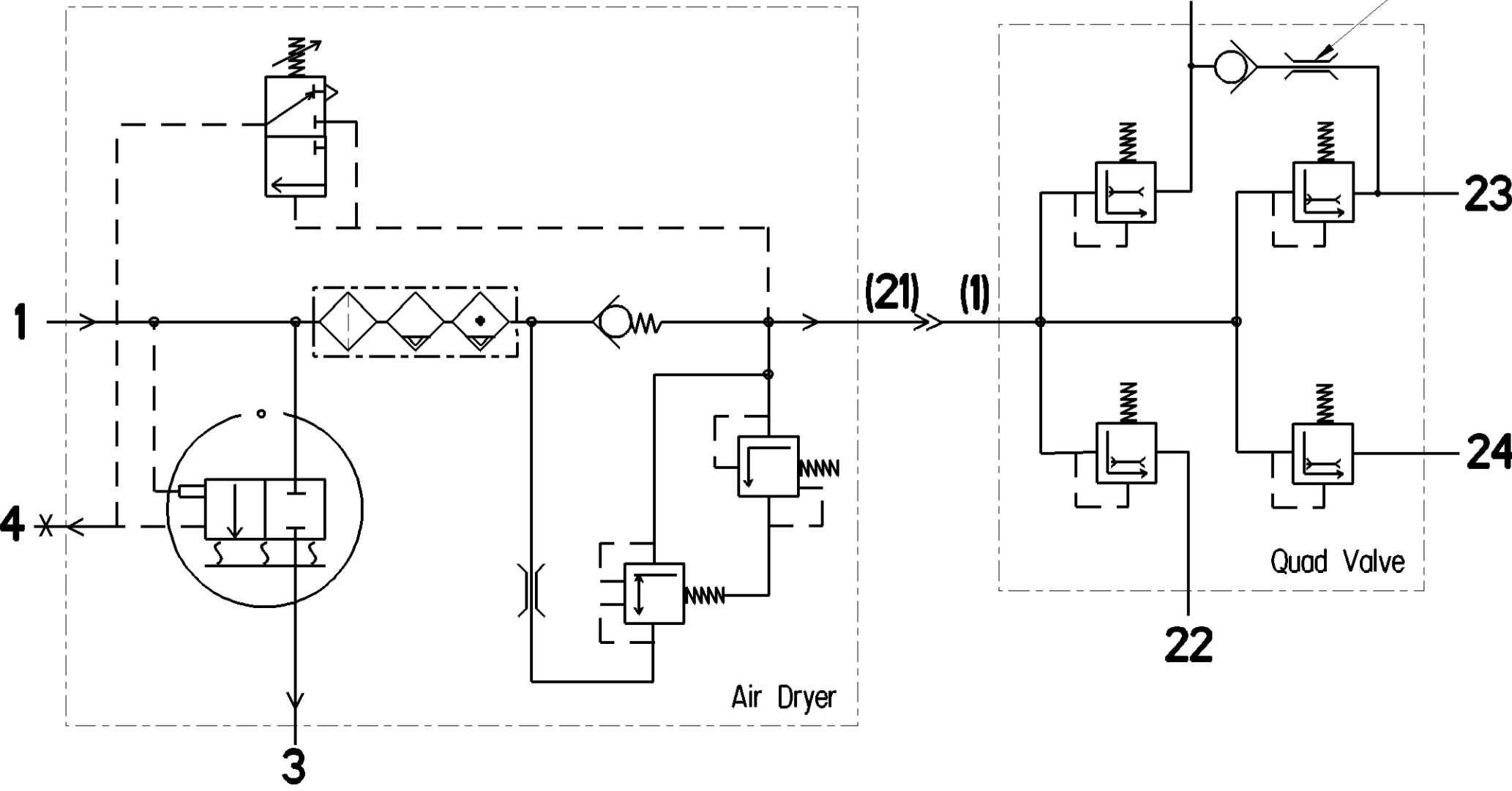
HEATING CUT-IN TEMPERATURE:
 HEIZUNG EINSCHALT-TEMPERATUR:
 CHAUFFAGE TEMPERATURE DE FERMETURE:
 RISCALDAMENTO TEMPERATURA DI CHIUSURA. 7° ±6°C

HEATING CUT-OFF TEMPERATURE:
 HEIZUNG AUSSCHALT-TEMPERATUR:
 CHAUFFAGE TEMPERATURE DE MISE:
 RISCALDAMENTO TEMPERATURA DI APERTURA. 29.5° ±3.0°C

POWER WITHOUT CURRENT:
 LEISTUNG STROMLOS:
 PUISSANCE SANS COURANT:
 POTENZA SENZA CORRENTE. 100 W

POWER WITH 24V DC:
 LEISTUNG BEI 24V DC:
 PUISSANCE AVEC 24V DC:
 POTENZA CON 24V DC. 95 +0/-5W

BATTERY VOLTAGE:
 BATTERIESPANNUNG:
 TENSION DE BATTERIE:
 TENSIONE DI BATTERIA. 24.0 ±4.8/-2.4 VDC



FLOW RATE • 16-35 L/min
 AT P23=8, P21= 0 bar
 WHEN P21 DROPS TO ZERO RETAINED P23 = 1 bar max

DURÖFLUSSMENGE 16-35 l/min
 BEI P23=8, P21= 0bar
 WENN P21 AUF NULL ABFALLT GESICHERTER DRUCK P23 = 1 bar max

DEBIT • 16-35 l/min
 SOUS P23=8, P21= 0 bar
 SI P21 TOMBE A ZERO LA PRESSION MAINTENUE A P23 = 1 bar Max

PORTA • 16-35 l/min
 PER P23=8, P21=0 bar
 SE P21 CALA A ZERO LA PRESSIONE MANTENUTA A P23 = 1 bar Max

General Specifications ISO 9001, ISO 9001-1, ISO 14001 LP		Copyright WABCO®	
Further Technical Data: Product Specification		Date: 2022-09-29	
Doc. Code: 025	Sheets: 2	Order: Meng	Revision: 005
General Dimensions: 432-261		Drawing: Kostromo	
Range of nominal dimensions in mm			
Class	1	2	3
Flow	1	2	3
Medium	X	2	3
Course	2	3	4
Tapped Holes acc. ...			
1) Tolerances (mm) (unless specified)			
WABCO		AIR PROCESSING UNIT DRÜCKLUFTTAFBEREITUNG UNITÉ COMPACTE UNITA COMPACTA	
932 500 064 0		005 ML 1/1	
A 0 CREO		50454 12 B 510	