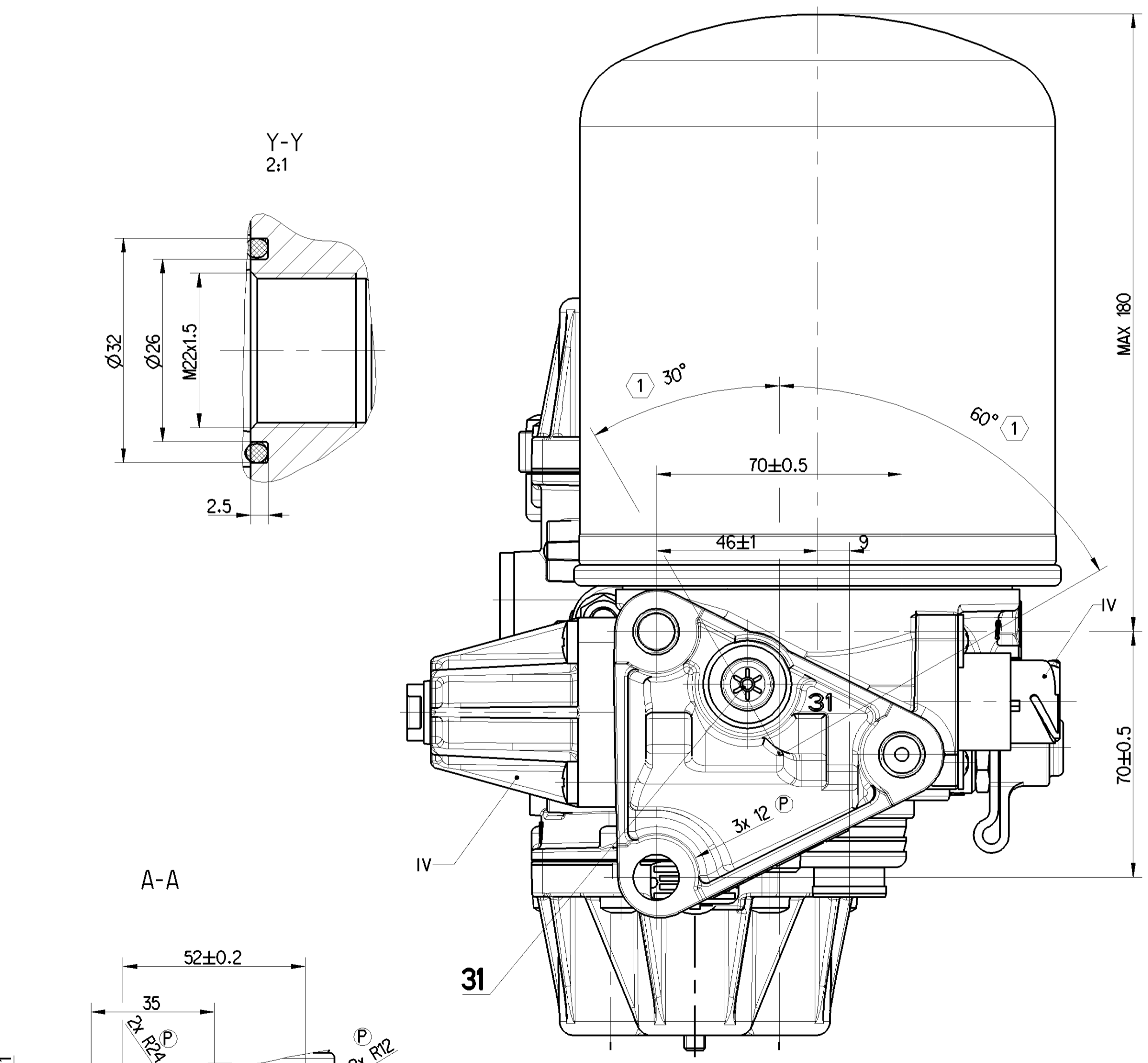
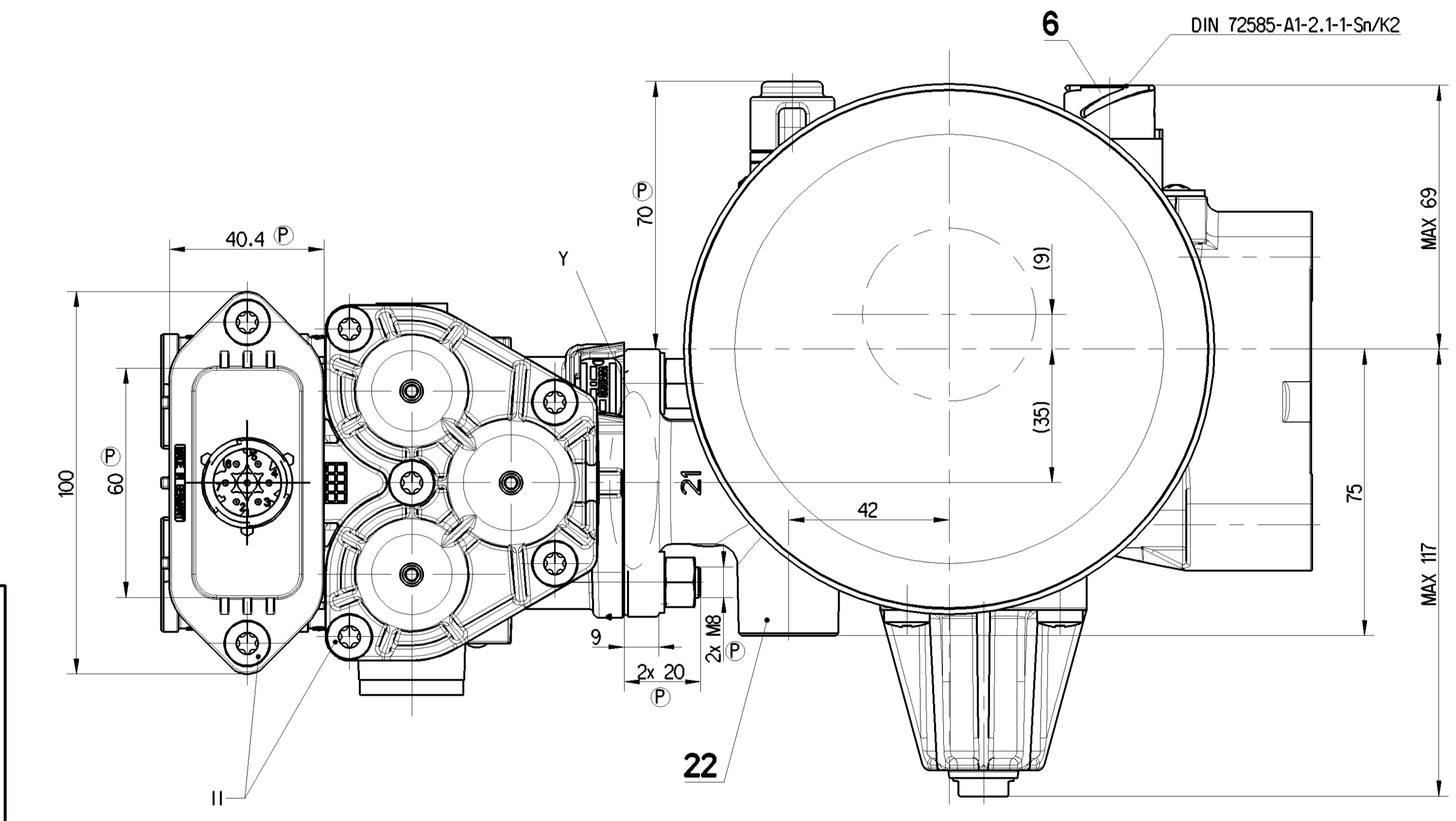


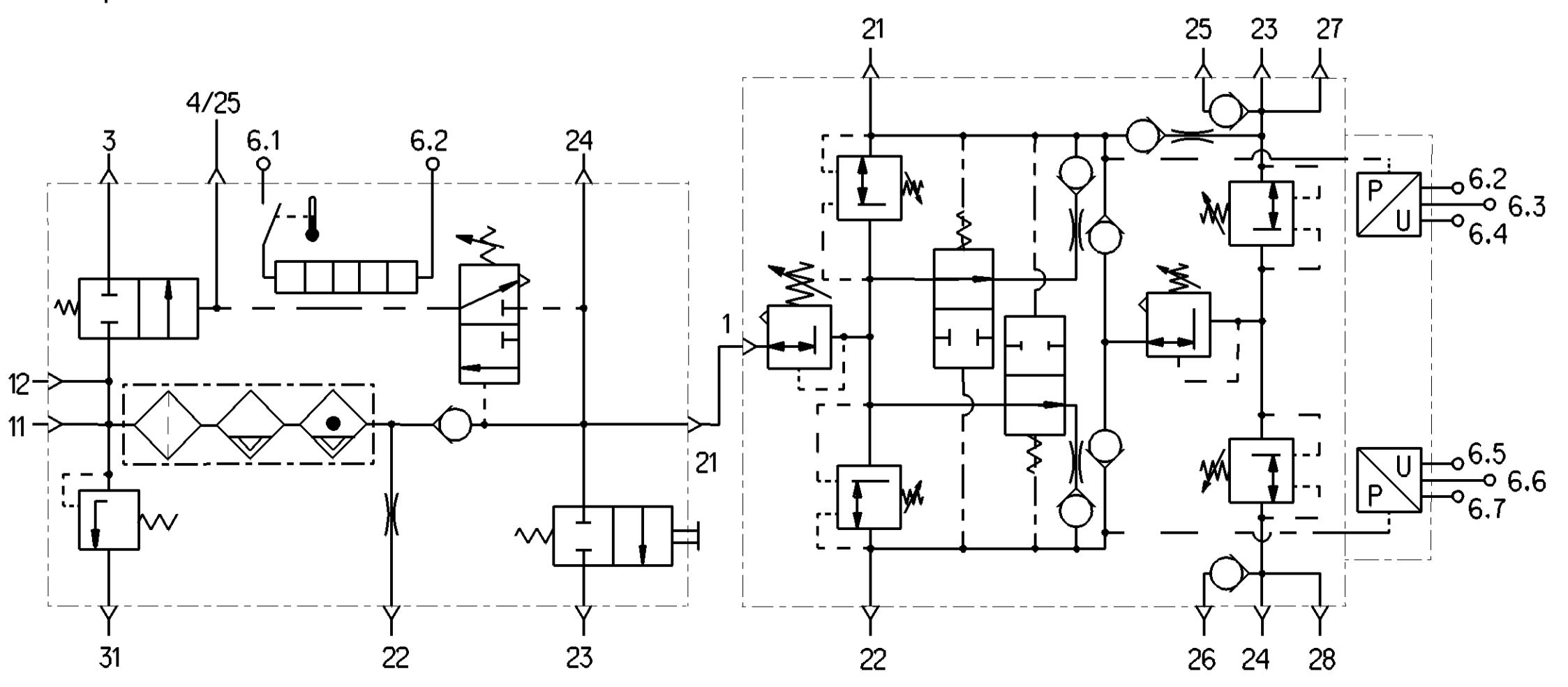
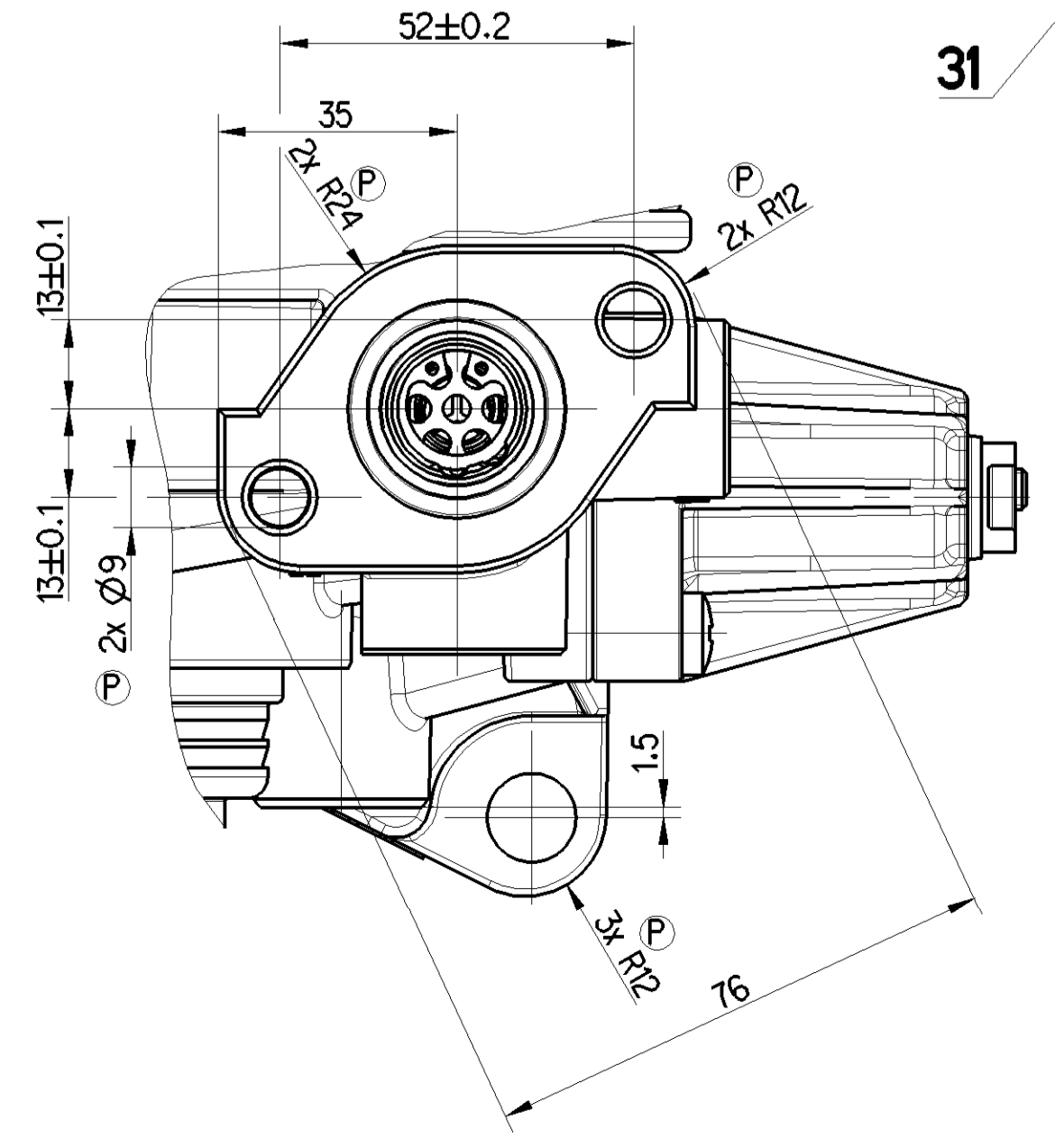
P	PART CODE	MATERIAL	SURFACE PROTECTION
I		ALUMINIUM ALLOY	CHROMATED
II		STEEL	PASSIVATED
III		STEEL	PAINTED
IV		PLASTIC	NO TREATMENT



PORT ANSCHLUSS ORIFIZIO	FUNCTION FUNCTION FUNZIONE	THREAD FILETTAGE FILETTATURA	PORT ANSCHLUSS ORIFIZIO	FUNCTION FUNCTION FUNZIONE	THREAD FILETTAGE FILETTATURA	CIRCUIT KREIS CIRCUITO
11	FROM THE COMPRESSOR VOM KOMPRESSOR PROVENIENTE DEL COMPRESSORE	M22x1,5 JED-152	1	FROM AIR DRYER VOM LUFTTROCKNER DE DESSICCATEUR D'AIR ESSICCATORE D'ARIA	M22x1,5 JED-388	
12	EXTERNAL FILLING FREMBEFÜLLUNG ALIMENTATION DE L'EXTERIEUR FRENATURA SEPARATA	M12x1,5 JED-152	21	SERVICE BRAKE BETRIEBSBREMSE FREINAGE FRENATURA	M22x1,5 JED-388	1
21	TO PROTECTION VALVE ZUM SCHUTZVENTIL AU VALVE DE PROTECTION A VALVOA DI PROTEZIONE	M22x1,5 JED-152	22	SERVICE BRAKE BETRIEBSBREMSE FREINAGE FRENATURA	M22x1,5 JED-388	2
22	TO RESERVOIR FOR REGENERATION AIR ZUM REGENERATIONS-LUFTBEHALTER AU RESERVOIR D'AIR DE REGENERATION AL SERBATOIO PER L'ARIA RIGENERATA	M16x1,5 JED-388	23	TRAILER BRAKING SYSTEM ANHÄNGER BREMSANLAGE SYSTEME DE FREINAGE/BOITE REMORQUE FRENATURA DEL RIMORCHIO	M22x1,5 JED-388	3
23	TIRE INFLATION DEVICE REIFENFÜLLANSCHLUSS PRISE POUR GONFLAGE PNEU PRESA PER GONFIAGGIO PNEUM.	M22x1,5 JED-388	25	PARKING BRAKING SYSTEM FESTSTELLBREMSEANLAGE DISPOSITIF DE FREINAGE DE STATIONNEMENT DISPOSITIVO DI FRENATURA DI STAZIONAMENTO	M22x1,5 JED-388	3
24	TO AIR SUSPENSION RESERVOIR AU RESERVOIR DE LA SUSPENSION PNEUMATIQUE A SERBATOIO DELLA SOSPENSIONE PNEUMATICA	M22x1,5 JED-388	27	PRESSURE SWITCH DRUCKSCHALTER INTERRUTTORE DI PRESSION INTERRUTTORE A PRESSIONE	M12x1,5 JED-152	3
4/25	CONTROL PORT/DELIVERY OF ENERGY TO COMPRESSOR CONTROL STEUERANSCHLUSS/ENERGIEABFLUSS ZUR KOMPRESSOR STEUERUNG ORIFICE DE COMMANDE/ALIMENTATION EN ENERGIE DE LA COMMANDE DE COMPRESSEUR ORIFIZIO DI COMANDO/MANDATA AL COMANDO DEL COMPRESSORE	M10x1 JED-388	24	AUXILIARES NEBENVERBRAUCHER AUXILIAIRES	M22x1,5 JED-388	4
3	EXHAUST FOR COMPRESSOR IDLING ENTLÜFTUNG BEI KOMPRESSOR-LEERLAUF ÉCHAPPEMENT POUR MARCHÉ A VIDE DU COMPRESSEUR SCARICO PER MARCIA A FOLLE DEL COMPRESSORE		26	OPERATION OF CLUTCH/GEARBOX BETÄTIGUNG VON KUPPLUNG/GETRIEBE ACTIONNEMENT D'EMBRAYAGE/BOITE VITESSES AZIONAMENTO FRIZIONE/CAMBIO	M22x1,5 JED-388	4
31	EXHAUST OF THE SAFETY VALVE ENTLÜFTUNG DES SICHERHEITSVENTILES ÉCHAPPEMENT DE LA SOUPAPE DE SECURITE SCARICO DELLA VALVOLA DI SICUREZZA		28	PRESSURE SWITCH DRUCKSCHALTER INTERRUTTORE DI PRESSION INTERRUTTORE A PRESSIONE	M12x1,5 JED-152	4
6	HEATING HEIZUNG CHAUFFAGE RISCALDAMENTO		6	PRESSURE SENSOR DRUCKSENSOR CAPTEUR DE PRESSION SENSORE DI PRESSIONE		1/2

1 INSTALLATION POSITION  
EINBALLAGE  
POSITION D'INSTALLATION  
POSIZIONE DI MONTAGGIO

	IDENTIFICATION			
	WABCO	CUSTOMERS NO. KUNDEN-NR. NO CLIENT CLIENTE	PORT ANSCHLUSS ORIFICE ORIFIZIO	ZGS CAD
AIR PROCESSING UNIT DRUCKLUFTBEREITUNG UNITE COMPACTE UNITA COMPATTA	1 932 500 015 0	A 002 431 03 15	X (PLUGGED)	
	2 932 500 021 0	A 002 431 30 15	X	002
AIR DRYER LUFTTROCKNER DESSICATEUR ESSICCATORE	1 932 400 024 0	A 000 430 30 15	X (PLUGGED)	
	2 932 400 014 0	A 000 430 63 15	X	
FOUR CIRCUIT PROTECTION VALVE VIERKREIS-SCHUTZVENTIL VALVE DE PROTECTION (A 4 CIRCUITS) VALVOA DI PROTEZIONE (A 4 CIRC.)	1 934 705 003 0	A 003 431 62 06		
	2 934 705 008 0	A 003 431 93 06		
PRESSURE SENSOR UNIT DRUCKSENSOR-EINHEIT UNITE DE APTEUR DE PRESSION UNITA DI SENSORE DI PRESSIONE	1 432 901 223 2	A 001 430 04 15		
	2 932 410 020 2	A 000 429 37 95		



General Specifications: JED-334-1, Size ISO 11410 L1405	Copyright WABCO	<b>WABCO</b>
Further Technical Data:	Doc. Code: 2020-08-24	2020-08-24
Class: 1	File: 0,5	1,0
Medium: X	1,0	2,0
Course: 2	2,0	3,5
	3,5	5,0
	5,0	6,5
	6,5	8,0
	8,0	10,0
	10,0	12,5
	12,5	15,0
	15,0	20,0
	20,0	30,0
	30,0	40,0
	40,0	50,0
	50,0	60,0
	60,0	80,0
	80,0	100,0
	100,0	150,0
	150,0	200,0
	200,0	300,0
	300,0	400,0
	400,0	500,0
	500,0	600,0
	600,0	800,0
	800,0	1000,0
	1000,0	1500,0
	1500,0	2000,0
	2000,0	3000,0
	3000,0	4000,0
	4000,0	5000,0
	5000,0	6000,0
	6000,0	8000,0
	8000,0	10000,0
	10000,0	15000,0
	15000,0	20000,0
	20000,0	30000,0
	30000,0	40000,0
	40000,0	50000,0
	50000,0	60000,0
	60000,0	80000,0
	80000,0	100000,0
	100000,0	150000,0
	150000,0	200000,0
	200000,0	300000,0
	300000,0	400000,0
	400000,0	500000,0
	500000,0	600000,0
	600000,0	800000,0
	800000,0	1000000,0
	1000000,0	1500000,0
	1500000,0	2000000,0
	2000000,0	3000000,0
	3000000,0	4000000,0
	4000000,0	5000000,0
	5000000,0	6000000,0
	6000000,0	8000000,0
	8000000,0	10000000,0
	10000000,0	15000000,0
	15000000,0	20000000,0
	20000000,0	30000000,0
	30000000,0	40000000,0
	40000000,0	50000000,0
	50000000,0	60000000,0
	60000000,0	80000000,0
	80000000,0	100000000,0
	100000000,0	150000000,0
	150000000,0	200000000,0
	200000000,0	300000000,0
	300000000,0	400000000,0
	400000000,0	500000000,0
	500000000,0	600000000,0
	600000000,0	800000000,0
	800000000,0	1000000000,0
	1000000000,0	1500000000,0
	1500000000,0	2000000000,0
	2000000000,0	3000000000,0
	3000000000,0	4000000000,0
	4000000000,0	5000000000,0
	5000000000,0	6000000000,0
	6000000000,0	8000000000,0
	8000000000,0	10000000000,0
	10000000000,0	15000000000,0
	15000000000,0	20000000000,0
	20000000000,0	30000000000,0
	30000000000,0	40000000000,0
	40000000000,0	50000000000,0
	50000000000,0	60000000000,0
	60000000000,0	80000000000,0
	80000000000,0	100000000000,0
	100000000000,0	150000000000,0
	150000000000,0	200000000000,0
	200000000000,0	300000000000,0
	300000000000,0	400000000000,0
	400000000000,0	500000000000,0
	500000000000,0	600000000000,0
	600000000000,0	800000000000,0
	800000000000,0	1000000000000,0
	1000000000000,0	1500000000000,0
	1500000000000,0	2000000000000,0
	2000000000000,0	3000000000000,0
	3000000000000,0	4000000000000,0
	4000000000000,0	5000000000000,0
	5000000000000,0	6000000000000,0
	6000000000000,0	8000000000000,0
	8000000000000,0	10000000000000,0
	10000000000000,0	15000000000000,0
	15000000000000,0	20000000000000,0
	20000000000000,0	30000000000000,0
	30000000000000,0	40000000000000,0
	40000000000000,0	50000000000000,0
	50000000000000,0	60000000000000,0
	60000000000000,0	80000000000000,0
	80000000000000,0	100000000000000,0
	100000000000000,0	150000000000000,0
	150000000000000,0	200000000000000,0
	200000000000000,0	300000000000000,0
	300000000000000,0	400000000000000,0
	400000000000000,0	500000000000000,0
	500000000000000,0	600000000000000,0
	600000000000000,0	800000000000000,0
	800000000000000,0	1000000000000000,0
	1000000000000000,0	1500000000000000,0
	1500000000000000,0	2000000000000000,0
	2000000000000000,0	3000000000000000,0
	3000000000000000,0	4000000000000000,0
	4000000000000000,0	5000000000000000,0
	5000000000000000,0	6000000000000000,0
	6000000000000000,0	8000000000000000,0
	8000000000000000,0	10000000000000000,0
	10000000000000000,0	15000000000000000,0
	15000000000000000,0	20000000000000000,0
	20000000000000000,0	30000000000000000,0
	30000000000000000,0	40000000000000000,0
	40000000000000000,0	50000000000000000,0
	50000000000000000,0	60000000000000000,0
	60000000000000000,0	80000000000000000,0
	80000000000000000,0	100000000000000000,0
	100000000000000000,0	150000000000000000,0
	150000000000000000,0	200000000000000000,0
	200000000000000000,0	300000000000000000,0
	300000000000000000,0	400000000000000000,0
	400000000000000000,0	500000000000000000,0
	500000000000000000,0	600000000000000000,0
	600000000000000000,0	800000000000000000,0
	800000000000000000,0	1000000000000000000,0
	1000000000000000000,0	1500000000000000000,0
	1500000000000000000,0	2000000000000000000,0
	2000000000000000000,0	3000000000000000000,0
	3000000000000000000,0	4000000000000000000,0
	4000000000000000000,0	5000000000000000000,0
	5000000000000000000,0	6000000000000000000,0
	6000000000000000000,0	8000000000000000000,0
	8000000000000000000,0	10000000000000000000,0
	10000000000000000000,0	15000000000000000000,0
	15000000000000000000,0	20000000000000000000,0
	20000000000000000000,0	30000000000000000000,0
	30000000000000000000,0	40000000000000000000,0
	40000000000000000000,0	50000000000000000000,0
	50000000000000000000,0	60000000000000000000,0
	60000000000000000000,0	80000000000000000000,0
	80000000000000000000,0	100000000000000000000,0
	100000000000000000000,0	150000000000000000000,0
	150000000000000000000,0	200000000000000000000,0
	200000000000000000000,0	300000000000000000000,0
	300000000000000000000,0	400000000000000000000,0
	400000000000000000000,0	500000000000000000000,0
	500000000000000000000,0	600000000000000000000,0
	600000000000000000000,0	800000000000000000000,0
	800000000000000000000,0	1000000000000000000000,0
	1000000000000000000000,0	1500000000000000000000,0
	1500000000000000000000,0	2000000000000000000000,0
	2000000000000000000000,0	3000000000000000000000,0
	3000000000000000000000,0	40000

PRESSURE SENSOR MODULE  
 DRUCKSENSORMODUL  
 MODULE DE CAPTEUR DE PRESSION  
 MODULO DI SENSORE DI PRESSIONE:

MEASURING PRINCIPLE: PIEZO-RESISTIVE  
 MESSPRINZIP : PIEZORESISTIV  
 PUINCIPE DE MESURE : PIEZORESISTIF  
 PRINCIPIO DI MISURA : PIEZORESISTIVO

SUPPLY VOLTAGE  
 SPEISESPANNUNG  
 TENSION D'ALIMENTATION 8+32 V DC  
 TENSIONE D'ALIMENTAZIONE

CURRENT CONSUMPTION  
 STROMAUFNAHME  
 CONSOMMATION DE COURANT  
 ASSORBIMENTO DI CORRENTE  
 MAX. 30mA

INRUSH CURRENT  
 EINSCHALTSTROM  
 COURANT D'APPEL  
 CORRENTE DI INSERIMENTO  
 ≤ 115 mA

THERMAL RANGE OF APPLICATION  
 THERMISCHER ANWENDUNGSBEREICH -40°C...+80°C  
 PLAGE DE TEMPERATURE EN UTILISATION  
 CAMPO TERMICO DI APPLICAZIONE

MEASURING RANGE : 0-12 bar RELATIVE PRESSURE  
 MESSBEREICH : 0-12 bar RELATIVDRUCK  
 ZONE DE MESURE : 0-12 bar PRESSION RELATIVE  
 CAMPO DI MISURA : 0-12 bar PRESSIONE RELATIVA

ADMISSIBLE OVERPRESSURE  
 ZULAESSIGER UEBERDRUCK  
 ADMISSIBLE SURPRESSION  
 AMMISSIBILE SOVRAPRESSIONE  
 20 bar (P)

PORT  
 ANSCHLUSS  
 ORIFICE  
 ORIFIZIO  
 ISO 15170 (P)

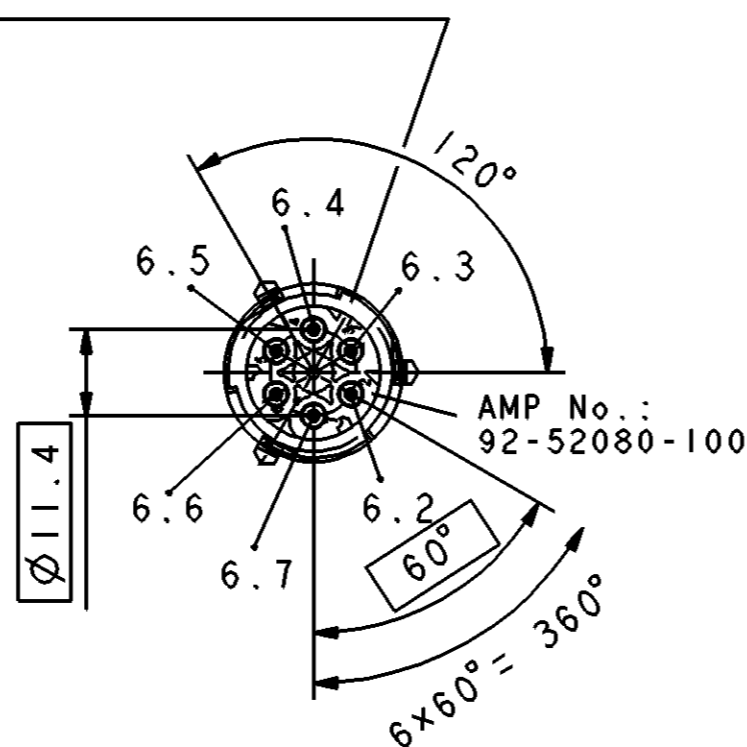
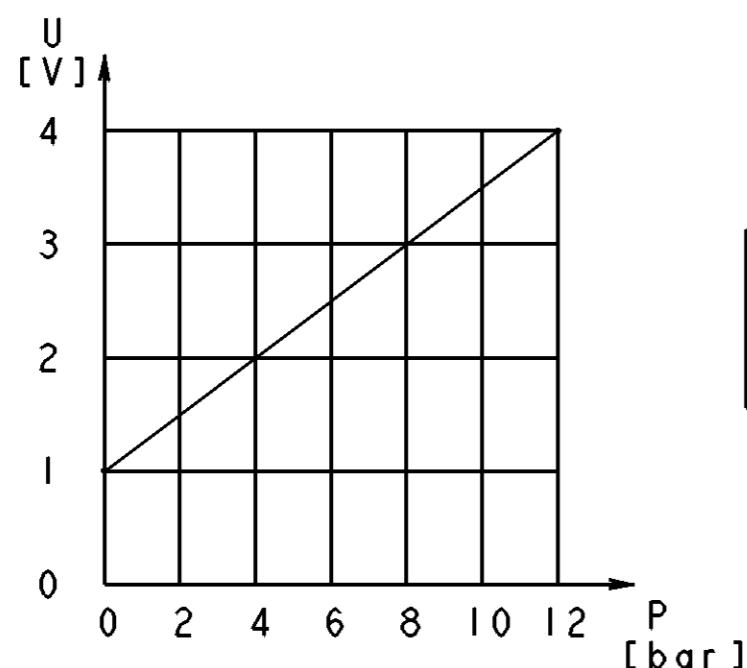
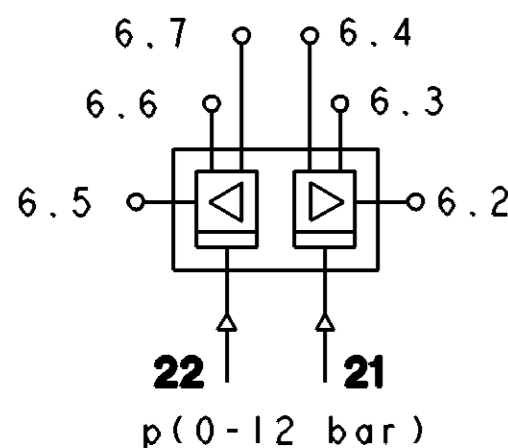
OFFSET:  
 OFFSET:  
 DEPLACEMENT DE VALEURS:  
 DIFFERIMENTO DEL VALORI DI MISURA:  
 IV

SENSITIVITY  
 EMPFINDLICHKEIT  
 SENSIBILITE  
 SENSIBILITA  
 250 mV/bar

LINEARETY  
 LINEARITAET  
 LINEARITE  
 LINEARITA  
 ±0.3%FS

HYSTERESIS  
 HYSTERESE  
 HYSTERESIS  
 ISTERESI  
 0.2%FS

SEE WABCO-DRAWING  
 SIEHE WABCO-ZEICHNUNG 858 000 823 4  
 VOIR WABCO-DESSIN  
 VEDER



CIRCUIT KREIS CIRCUIT CIRCUITO	21			22		
CONTACT KONTAKT CONTACT CONTATTO	6.2	6.3	6.4	6.5	6.6	6.7
FUNCTION FUNKTION FONCTION FUNZIONE	OUTPUT AUSGANG SORTIE USCITA	+24 VDC	- 0V	OUTPUT AUSGANG SORTIE USCITA	+24 VDC	- 0V

THERMAL RANGE OF CONTINUOUS APPLICATION:  
 THERMISCHER DAUERANWENDUNGSBEREICH: -40°C...+65°C  
 PLAGE DE TEMPERATURE EN UTILISATION CONTINUE:  
 COMPO DI APPLICAZIONE CONTINUA:

RESISTANCE TO HEAT:  
 WAERMEBESTAENDIGKEIT:  
 RESISTANCE A LA CHALEUR: MAX. +80°C  
 RESISTANZA AL CALORE:

MAX. PERMISSIBLE FREQUENCY  
 MAX. ZULAESSIGE FREQUENZ  
 MAX. ADMISSIBLE FREQUENZE 50 Hz  
 MAX. AMMISSIBILE FREQUENZA

MEDIUM: COMPRESSED AIR  
 MEDIUM: DRUCKLUFT  
 FLUIDE: AIR COMPRIE  
 FLUIDO: ARIA COMPRESSA

MAX. PERMISSIBLE ACCELERATION:  
 MAX. ZULAESSIGE BESCHLEUNIGUNG:  
 ACCELERATION MAX. ADMISSIBLE: ±15xg  
 ACCELERAZIONE MAX. AMMESSA:

WORKING PRESSURE:  
 BETRIEBSDRUCK:  
 PRESSION DE SERVICE: p<sub>e</sub> max. = 13bar  
 PRESSIONE D'ESERCIZIO:

INSTALLATION POSITION AS DRAWN  
 EINBAULAGE WIE GEZEICHNET  
 POSITION D'INSTALLATION SUIVANT DESSIN  
 POSIZIONE DI MONTAGGIO COME DISEGNATO

HEATING:  
 HEIZUNG:  
 CHAUFFAGE:  
 RISCALDAMENTO:  
 CUT-IN TEMPERATURE  
 EINSCHALT-TEMPERATUR  
 TEMPERATURE DE MISE 7°±6°C  
 TEMPERATURA DI APERTURA

CUT-OFF TEMPERATURE  
 AUSSCHALT-TEMPERATUR  
 TEMPERATURE DE FERMETURE 29.5°±3°C  
 TEMPERATURA DI CHIUSURA

VOLTAGE: 24 V  
 SPANNUNG:  
 VOLTAGE:  
 VOLTAGGIO:  
 DIRECT CURRENT  
 GLEICHSTROM  
 COURANT CONTINU  
 CORRENTE CONTINUA  
 POWER  
 LEISTUNG  
 PUISSANCE 100 W (24 V)  
 POTENZA

SAFETY VALVE:  
 SICHERHEITSVENTIL:  
 SOUPE DE SECURITE:  
 VALVOLA DI SICUREZZA:  
 OPENING PRESSURE:  
 OEFFNUNGSDRUCK:  
 PRESSION D'OUVERTURE:  
 PRESSIONE D'APERTURA:  
 14.5 +2.5 / 0 bar

OPERATING RANGE:  
 SCHALTSPANNE:  
 PLAGE DE REGULATION:  
 GAMME DI REGOLAZIONE:  
 1.5±0.25 bar

COMBINED UNLOADER:  
 DRUCKREGLER:  
 REGULATEUR DE PRESSION:  
 GRUPPO DI REGOLAZIONE:  
 CUT OUT PRESSURE:  
 ABSCHALTDRUCK:  
 PRESSION DE FERMETURE:  
 PRESSIONE DI CHIUSURA:  
 932 500 005 0  
 932 500 015 0  
 932 500 021 0 (2)  
 12 ±0.3 bar  
 12 ±0.3 bar  
 11.5 +0.3 bar

PROTECTION VALVE SCHUTZVENTIL VALVE DE PROTECTION VALVOLA DI PROTEZIONE	OEFFNUNGSDRUCK dyn.	SCHLIESSDRUCK dyn. (DEF. KREIS 0bar)	BEGRENZUNGSDRUCK p2 BEI (p1) VON:	UEBERFUELLWERT	
KREISE 1+2	9 -0.3	7.0	10±0.2 (12.3/11.8 (2))	11.8	DRUCK (bar)
KREISE 3+4	7.5 -0.3	4.5	8.5 -0.4 (10.2)	9.8	
(2) KREISE 3+4	7.5 -0.3	4.5	(3)	9.8	

MAX PRESSURE DURING FILLING THE VEHICLE FROM ZERO: 8.9 0/-0.4 bar  
 (3) PRESSURE AFTER CONSUMPTION: 8.6 0/-0.4 bar  
 NOT FOR TRAILER SUPPLY!

AUFFUELLREIHENFOLGE  
 (ANLAGE DRUCKLOS):  
 P1 7.2 bar UND P2 3 bar  
 WENN P3 = 1 bar  
 ODER  
 P2 7.2 bar UND P1 3 bar  
 WENN P3 = 1 bar

General Specification: JED-334-1, Size ISO 14405 LP		Copyright WABCO®		<b>WABCO</b>	
Further Technical Data:		Date: 2020-08-24		Signature: Kurzynski	
Doc. Code: Sheet: To:		Checked: 2020-08-24		Expert: Chamol	
General Tolerances JED-261		Range of Nominal Dimensions ( ± mm)		Material No.: 932 500 997 0	
Class 1) ≤ 50 > 50 ≤ 180 > 180 ≤ 400 > 400		±3°		Date of first issue: 053 ML 2/2	
Fine: 0.5 1.0 1.5 2.0		Medium: 1.0 2.0 3.0 4.0		Coarse: 2.0 3.5 5.0 6.5	
Tapped Holes acc.		Mass: 5.614 kg		Scale: 1:1	
1) Tolerance Class Applied Crossmarked		Size: A 2		CAD System: CREO	
		ECN-No.: 503693		Revision: 2 x P	
		Techn. Resp.: 510		Replacement for:	