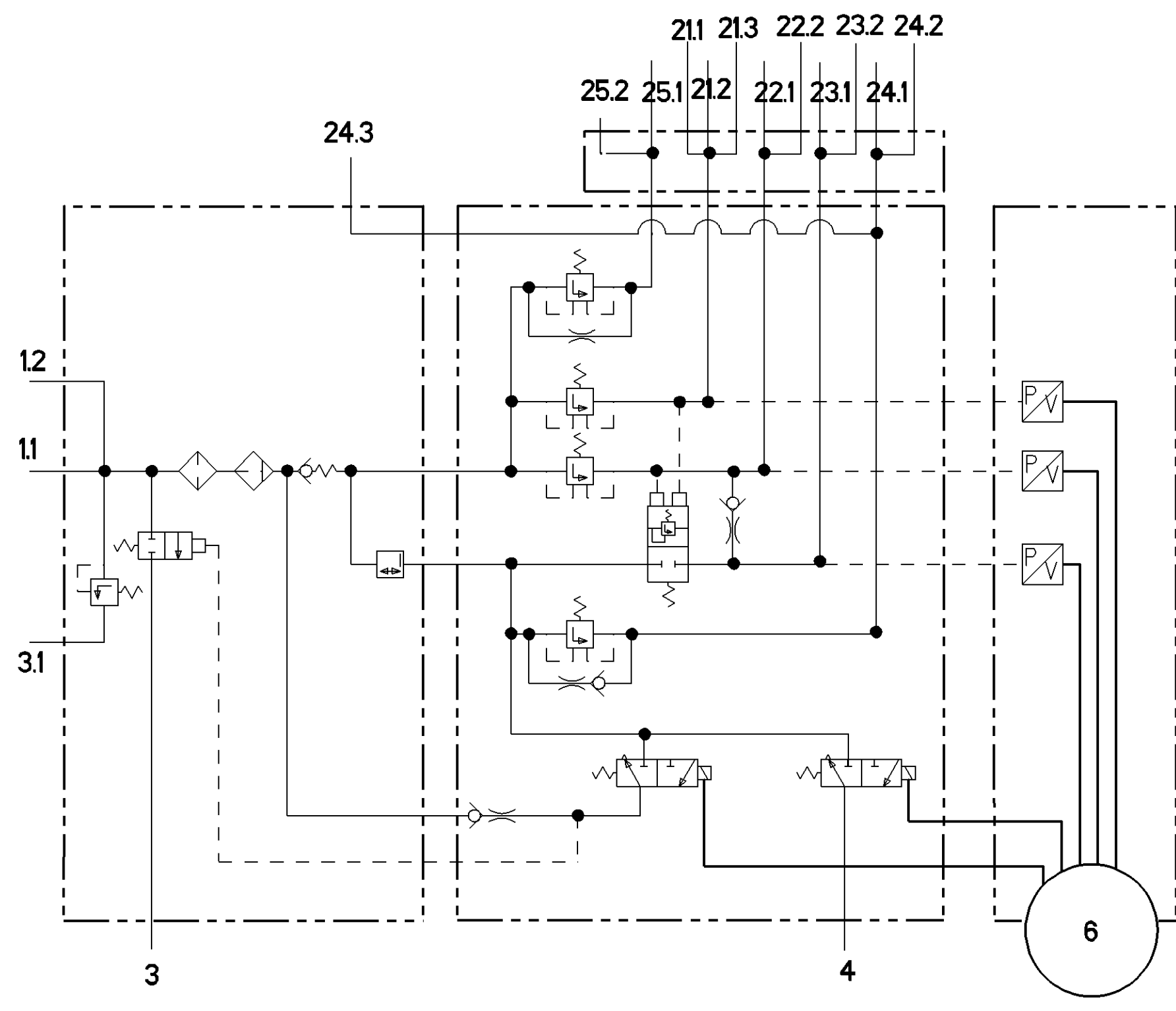
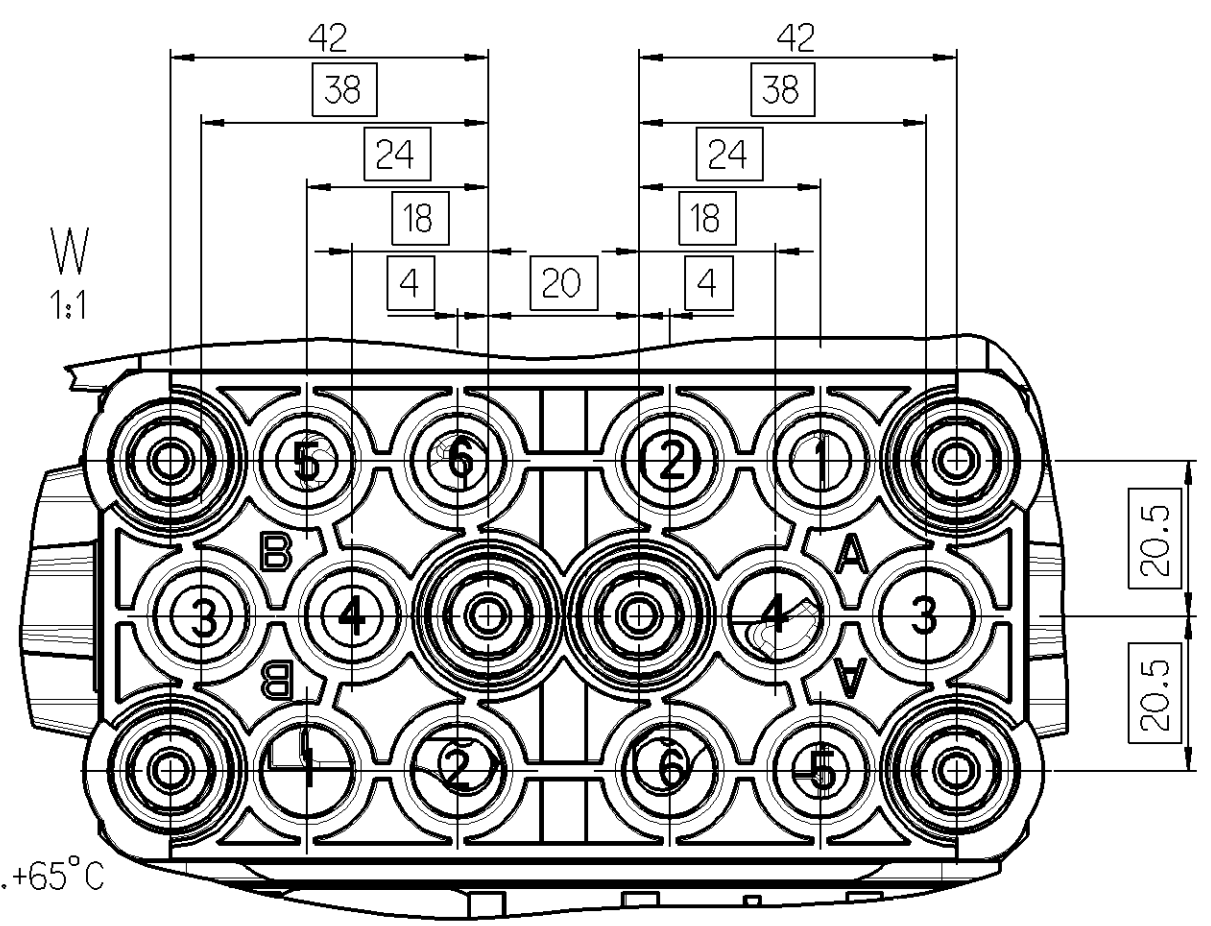


WABCO: 894 110 772 4
(DIN72585-A1-2.1-1-Sn/k2 CONNECTOR)

PIN NUMBER	FUNCTION
6.1	Vcc. BATTERY (24V)
6.2	GROUND
6.3	Vcc. IGNITION (24V)
6.4	CAN HIGH
6.5	CAN LOW
6.6	N.C.
6.7	N.C.

VIEW OF T



WABCO LABEL MARKED WITH:
PRODUCTION PLANT
DATE OF MANUFACTURE
PART NUMBER

CUSTOMER LABEL
SCANIA PART NUMBER 2148069
SCANIA ECU HW NUMBER 2153854

- GENERAL NOTES:**
- OPTIMUM THERMAL RANGE OF CONTINUOUS APPLICATION: -40°C....+65°C
 - RESISTANCE TO HEAT: +80°C MAXIMUM
 - ** INSTALLATION POSITION: AS DRAWN (deviation only with WABCO agreement)
 - WORKING PRESSURE: 12.5bar MAXIMUM
 - MEDIUM: COMPRESSED AIR
 - *** BREATHING/EXHAUSTING AREAS MARKED: MUST NOT BE OBSTRUCTED
 - **** PLEASE DO NOT TOUCH THE MALE MULTIPPOINT CONNECTOR CONTACTS
 - BOOTLOADER-SW (VERSION 1.0.0): 246 260 004 2
 - APLIKATION-SW (VERSION 8.0.0): 246 260 007 2
 - FURTHER NOTES SEE PRODUCT SPECIFICATION DOC. CODE 435
 - TO KEEP TRACEABILITY OF PARTS SEE DOC. CODE 987

AIRDRYER

PORT	FUNCTION	OPENING PRESSURE bar
1.1	FROM COMPRESSOR	-
1.2	EXTERNAL FILLING	-
24.3	AUXILIARIES	-
3	EXHAUST	-
3.1	EXHAUST FOR SAFETY VALVE	14.5 +0/-1.5

MULTI CIRCUIT PROTECTION VALVE

PORT	FUNCTION	REF.	CIRCUIT	DYNAMIC OPENING bar (+0/-0.3)	STATIC CLOSING bar (±)	PRESSURE LIMITING bar				
							B5	B3	B1	B6
25.1	AIR SUSPENSION	B5	5	8.5	-	-				
21.1	SERVICE BRAKE	B3	1	7.5	4.5	-				
21.2	SERVICE BRAKE	B1	1	7.5	4.5	-				
25.2	AIR SUSPENSION	B6	5	8.5	-	-				
23.1	PARKING BRAKE/ TRAILER	B4	3	6.5±0.5 AND 21+22>=7,2bar	4.5 ^{+1.5} _{-0.5}	8.4±0.1				
21.3	SERVICE BRAKE	B2	1	7.5	4.5	-				
24.1	AUXILIARIES	A2	4	7.5	4.5	8.4±0.1				
22.1	SERVICE BRAKE	A4	2	7.5	4.5	-				
22.2	SERVICE BRAKE	A6	2	7.5	4.5	-				
24.2	AUXILIARIES	A1	4	7.5	4.5	8.4±0.1				
NC	-	A3	-	-	-	-				
23.2	PARKING BRAKE/ TRAILER	A5	3	6.5±0.5 AND 21+22>=7,2bar	4.5 ^{+1.5} _{-0.5}	8.4±0.1				
4	COMPRESSOR CONTROL	-	-	-	-	8.4±0.1				

General Specifications: JED-534-0
Copyright WABCO®

Doc. Code: _____ Sheets: _____ To: _____
Date: 2013-03-27
Drawn: _____
Checked: _____
2013-03-27 Czapiewski

WABCO
E-APU

Material No.: 932 510 006 0
Date of first issue: 2011-02-14
Doc. Code: 005 EN Language: EN Sheet: 1/1

Class 1) 1) Tolerance Class Applied Crossmarked

8.067 1:2 (1:1, 2:1)
Medium X 1.0 2.0 3.0 4.0 ±3%
Coarse 2.0 3.5 5.0 6.5

Tapped Holes acc. Pro/E
Ecu No. 160072 Revision 1 x A Techn. Resp. 5112

Note e permesso consegnare a terzi la riproduzione di questo documento, nel rispetto delle norme vigenti, a condizione che il contenuto sia identico a quello originale. È vietata espressamente la ristampa o l'uso non autorizzato. / It is permitted to deliver to third parties the reproduction of this document, in accordance with the applicable regulations, on condition that the content remains identical to the original. Expressly prohibited is reprinting or unauthorized use. / It is permitted to deliver to third parties the reproduction of this document, in accordance with the applicable regulations, on condition that the content remains identical to the original. Expressly prohibited is reprinting or unauthorized use. / It is permitted to deliver to third parties the reproduction of this document, in accordance with the applicable regulations, on condition that the content remains identical to the original. Expressly prohibited is reprinting or unauthorized use.