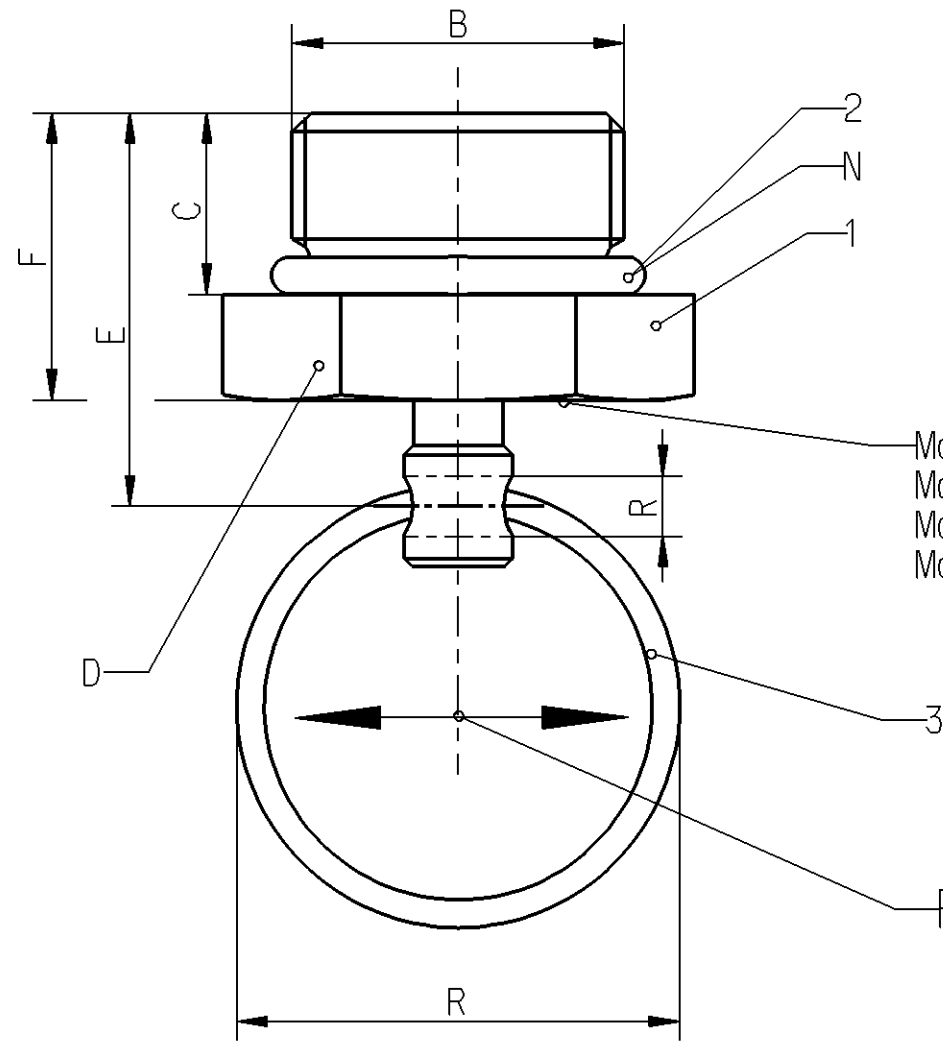


Non e' permesso consegnare a terzi o riprodurre questo documento, ne utilizzare il contenuto o renderlo comunque noto a terzi senza autorizzazione esplicita. Ogni infrazione costituisce un evidente abuso e comportera il risarcimento dei danni subiti. E' fatta riserva di tutti i diritti derivanti da brevetti o modelli. Copying of this document and giving it to others and the use or communication of the contents thereof, are forbidden without express authority. Contrivention of this restriction will constitute an evident abuse and result in a liability to the payment of damages. All rights are reserved in the event of the grant of patent or registration of a utility model or design. This document is the subject of copyright.

Toute communication ou reproduction de ce document, toute exploitation ou communication de son contenu sont interdites, sauf autorisation expresse. Tout manquement a cette regle constitue un abus evident et expose son auteur au versement de dommages et interets. Tous droits de proprie'te industrielle reserves, notamment en matiere de brevets et de modesles. Weitergabe sowie Vervielfaerung dieser Unterlage, Verwertung und Mitteilung ihres Inhalts nicht gestattet, soweit nicht ausdru'cklich zugestanden. Zuwiderhandlungen stellen einen offensichtlichen Missbrauch dar und verpflichten zu Schadensersatz. Alle Rechte fuer den Fall der Patenterteilung oder Gebrauchsmuster-Eintragung vorbehalten.

1	2	3	4	5	6	7	8
A	B	C	D	E	F	G	R
	1/2-14 PTF, SAE, SHORT	~16,5	Hex.22 2 to 3 T.F.T.F	~30,5	~21,5	without O-ring	similar to DIN74292-C with Ring ⊙ $\varnothing 30 \pm 2$ in Hole $\sim \varnothing 3,5$



Thermal range of application :
 Thermischer Anwendungsbereich : -40 °C to + 80 °C
 Gamme d'application thermique :
 Campo termico d'applicazione :

Admissible working pressure:
 Zulaessiger Betriebsdruck: $P_e \leq 20$ bar
 Pression d'utilisation permissible:
 Pressione di esercizio permissible:

- ① Material : CuZn
- ② Material : None
- ③ Material : Steel
Surface Protection: gal Ni

Marking:
 Markierung:
 Marquage:
 Marcatura:

acc. to 934 300 000 0 Doc.Code 035 General Specification: JED-271 ; JED-622

$F \max. \leq \sim 4x40N$ at 7Bar

General Specification: JED-334-0		Copyright WABCO®		WABCO		
Further Technical Data:		Date	Signature			
Doc. Code:	Sheet:	To	Drawn	Drain Valve Ablassventil Valve de purge Valvola di scarico		
General Tolerances JED-261			2009-10-28			
Range of Nominal Dimensions (± mm)			Checked	Date of first issue: 2008-12-16		
Class 1)	≤ 50	> 50 ≤ 180	> 180 ≤ 400			
Fine	0.5	1.0	1.5	2.0	Material No. 934 300 007 0	
Medium	1.0	2.0	3.0	4.0		
Coarse	2.0	3.5	5.0	6.5	005 ML 1/1	
Tapped Holes acc.			Mass	Scale		
1) Tolerance Class Applied Crossmarked			0,045 KG	/	934 300 007 0	
			Size	CAD System	ECN-No. Revision Techn. Resp. Replacement for	
			A 3	Pro/E	151447	1x C 5080