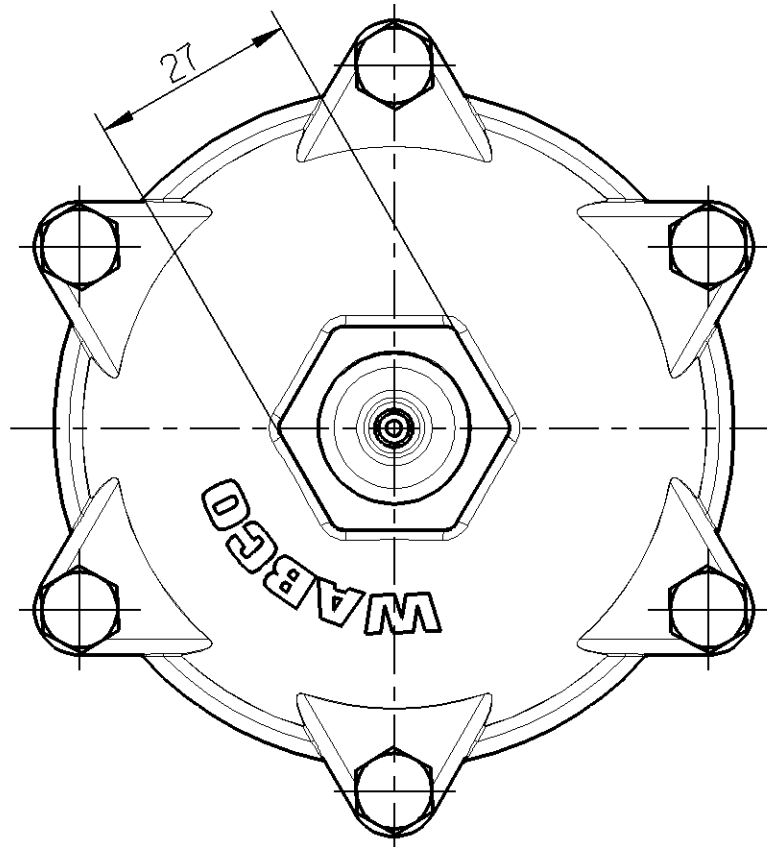


A



PRESURE DROP NECESSARY FOR FUNCTION
 FUER FUNKTION NOTIGER DRUCKABFALL $\Delta P > 0.6 \text{ bar}$
 CHUTE DE PRESSION NECESSAIRE AU FONCTIONNEMENT
 CADUTA DI PRESSIONE NECESSARIA PER IL FUNZIONAMENTO

TORQUE FOR FIXATION OF THE VALVE
 ANZUGSMOMENT FUER BEFESTIGUNG DES VENTILS MAX 60 Nm
 COUPLE DE SERRAGE POUR FIXATION DE LA VALVE
 COPPIA DI SERRAGGIO PER IL FISSAGGIO DELLA VALVOLA

INSTALLATION POSITION AS DRAWN
 EINBAULAGE WIE GEZEICHNET
 POSITION D'INSTALLATION SUIVANT DESSSIN
 POSIZIONE DI MONTAGGIO COME DISEGNATO

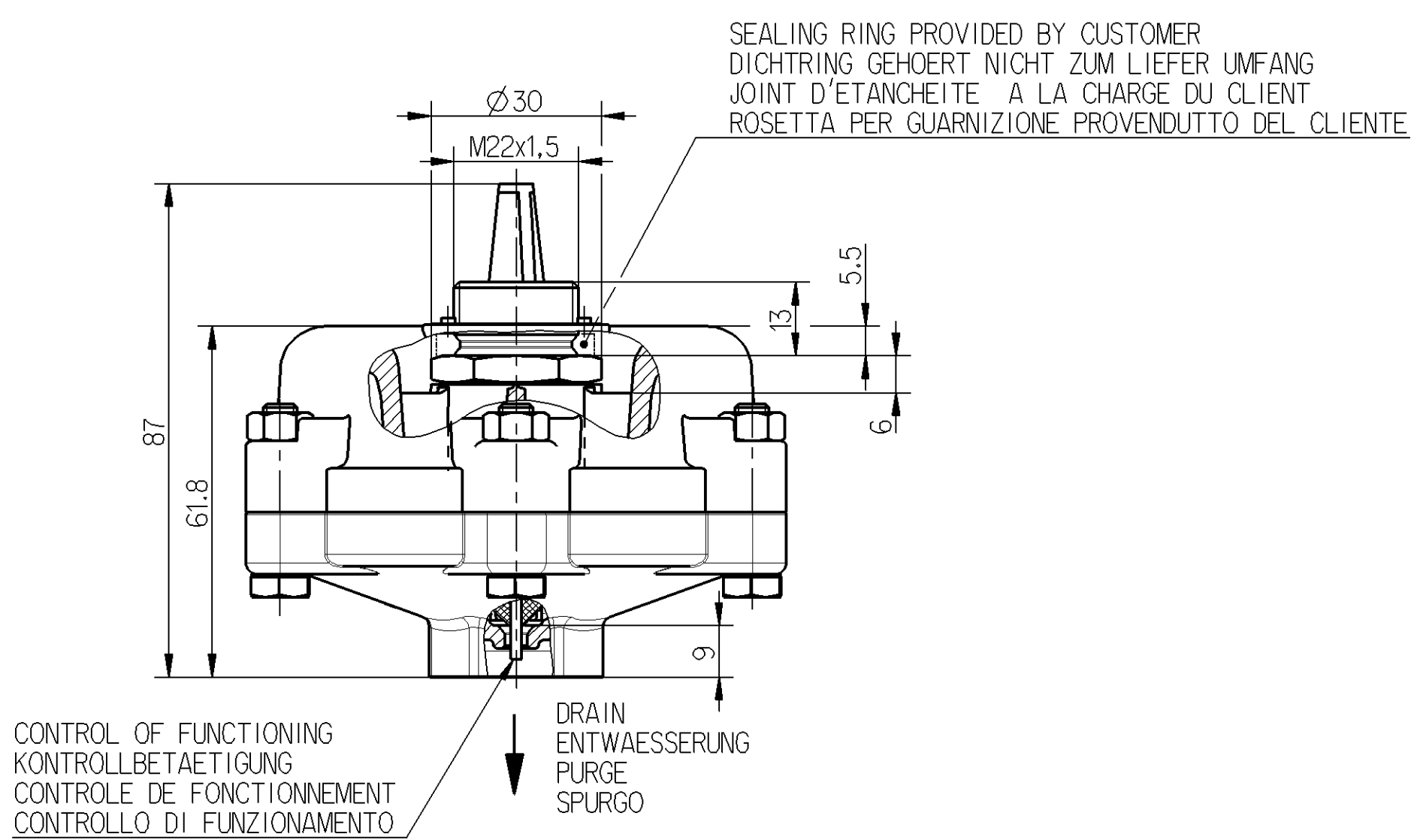
MEDIUM: AIR-WATER
 MEDIUM: LUFT-WASSER
 FLUIDE: AIR-EAU
 FLUIDO: ARIA-ACQUA

FILTRATION LEVEL 180 μm
 PORENWEITE DES FFILTERS
 SEUIL DE FILTRATION
 SOGLIA DI FILTRAZIONE

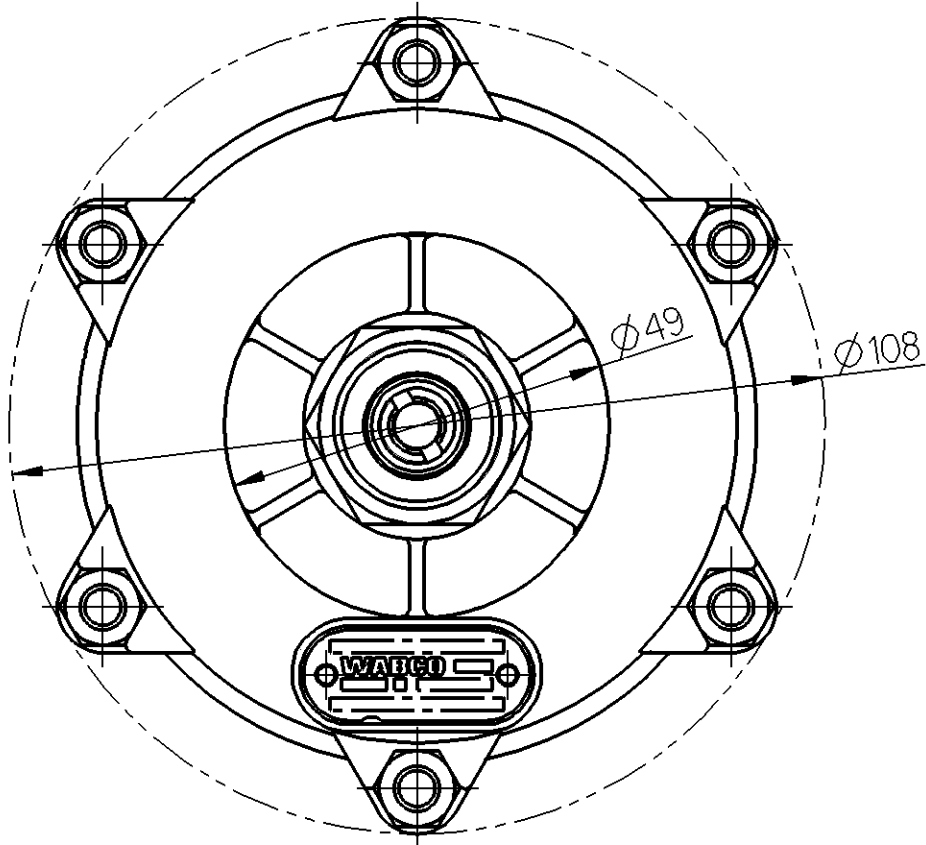
THERMAL RANGE OF APPLICATION -30° C... +80° C
 THERMISCHER ANWENDUNGSBEREICH
 GAMME D'APPLICATION THERMIQUE
 CAMPO TERMICO DI UTILIZZAZIONE

ADMISSIBLE WORKING PRESSURE $P_e \text{ max.} = 10 \text{ bar}$
 ZULAESSIG BETRIEBSDRUCK
 PRESSION DE SERVICE ADMISSIBLE
 PRESSIONE D'ESERCIZIO AMMISSIBILE

Non è permesso consegnare o terzi o riprodurre questo documento, né utilizzare il contenuto o renderlo comunque noto a terzi
 E' fatto riserva di tutti i diritti, espressi o non, in merito a brevetti o modelli.
 Copying of this document and giving it to others and the use or communication of the contents thereof, are forbidden without express
 permission of the copyright owner. In the event of the grant of patent or registration of a utility model or design, this document is the subject of copyright.



CONTROL OF FUNCTIONING
 KONTROLLBETAETIGUNG
 CONTROLE DE FONCTIONNEMENT
 CONTROLLO DI FUNZIONAMENTO



B

A

B

C

D

E

F

| | | | | | | | | |
|--|--------|------------------|-------------|--------------|-------------------------------|------------|-----------------------|---------------------------------|
| General Specification: JED-334-0 | | Copyright WABCO® | | WABCO | | | | |
| Further Technical Data: | | Date | Signature | | | | AUTOMATIC DRAIN VALVE | |
| Doc. Code: | Sheet: | To | 2012-01-09 | Gontarz | AUTOM. ENTWASSERUNGS - VENTIL | | | |
| General Tolerances JED-261 | | | Checked | 2012-01-16 | VALVE DE PURGE AUTOMATIQUE | | | |
| Range of Nominal Dimensions (± mm) | | | Expert | T. GONTARZ | VALVOLA DI SPURGO AUTOMATICA | | | |
| Class 1) | ≤ 50 | > 50 ≤ 180 | > 180 ≤ 400 | > 400 | Mass | Scale | Material No. | Date of first issue: 2012-01-16 |
| Fine | 0.5 | 1.0 | 1.5 | 2.0 | 0.46 | 1:1 | 934 301 005 0 | Doc.Code |
| Medium | 1.0 | 2.0 | 3.0 | 4.0 | KG | | | Language |
| Coarse | 2.0 | 3.5 | 5.0 | 6.5 | Size | CAD System | | Sheet |
| Tapped Holes acc. ISO 4039 / JED-152 | | | A 2 | | Pro/E | ECN-No. | | Revision |
| 1) Tolerance Class Applied Crossmarked | | | ±3° | | 5080 | | 1 x C | Techn. Resp. |
| | | | 100mm | | Replacement for | | DRAWING OF 29-12-97 | |