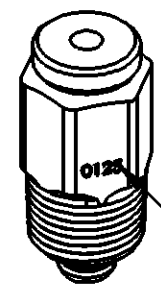


<1>	SAFETY CHARACTERISTICS	0
<2>	SIGNIFICANT CHARACTERISTICS	0
<CI>	CUSTOMER INTERFACE	0

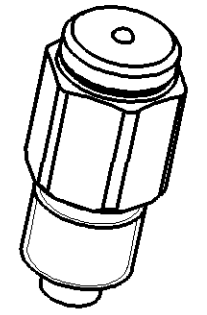
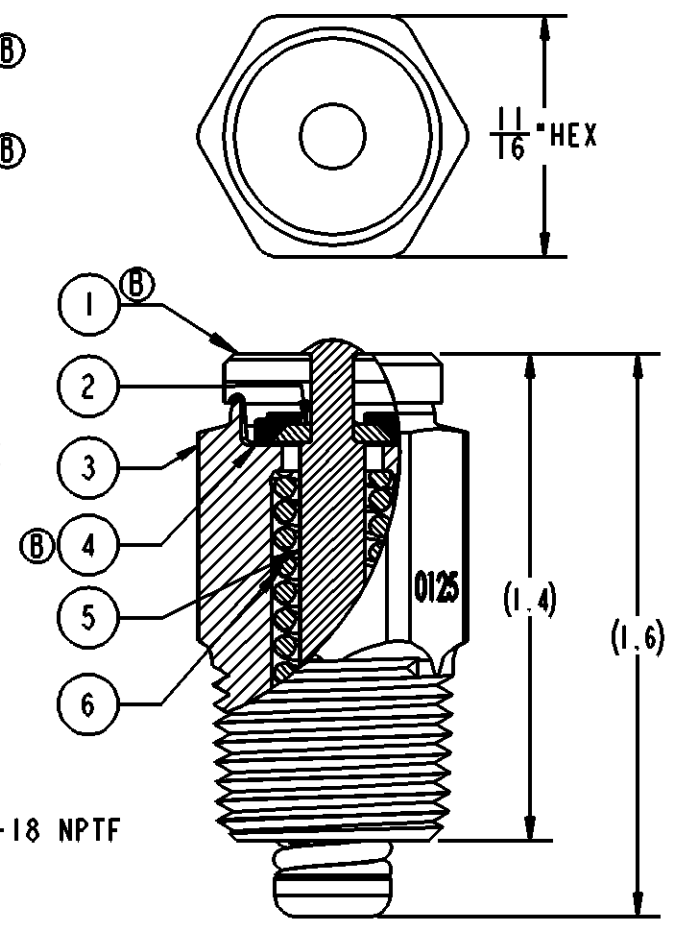
ITEM NO.	PART NUMBER	DESCRIPTION	QTY.
1	3590008	CAP	1
2	3590003	WASHER	1
3	3590601	VALVE BODY	1
4	3590007	SEAL	1
5	3590004	SHAFT (RIVET)	1
6	3592005	SPRING	1



**NOTES:**

- MUST NOT LEAK BELOW 150 PSI RISING PRESSURE.
- FULL FLOW RELIEF 185 ± 15 PSI.
- FOR PRE-APPLIED THREAD SEALER ADD THE PREFIX "P" TO THE PART NUMBER (I.E. P35926)

DATE CODE AT THIS END OF HEX WITH 5/64 TALL NUMBERS. FORMAT TO BE DAY-OF-YEAR AND LAST DIGIT OF YEAR.  
EXAMPLE: 0125 = 12th DAY OF 2005.



ECO	REV	DATE	DESCRIPTION	DES	APP
21-22	B	8/20/2021	CHANGED THE CAP AND SEAL TO NEW VERSIONS	CM	LW
96-01	A	3JAN96	185PSI WAS "BT 200 PSI"	EDS	DS
95-63	-	1SSEP95	INITIAL RELEASE	JRG	DS

A SIZE REVISE OR SEE ONLY - FROM ENG2			30 DAVIS STREET, P.O. BOX 716, IOLA, KANSAS 66749	
	THE INFORMATION CONTAINED HEREIN IS THE CONFIDENTIAL PROPERTY OF TRAMEC AND IS NOT FOR DISCLOSURE OR DISSEMINATION FOR ANY PURPOSE OTHER THAN THAT FOR WHICH IT IS SUBMITTED, EXCEPT AS AUTHORIZED IN WRITING BY TRAMEC, LLC. ALL DIMENSIONS ARE IN INCHES UNLESS OTHERWISE NOTED.			
SCALE: 2:1	DATE: 9-25	DRAWN: JRG	3RD ANGLE PROJECTION	
REF DRAWING 3592X			TOLERANCE UNLESS NOTED	
PRESSURE RELIEF VALVE			ONE PLACE (.X) ±.039	
			TWO PLACE (.XX) ±.019	
			THREE PLACE (.XXX) ±.009	
			ANGULAR ±1/2°	
			DRAWING NUMBER:	35926

HEXAGONAL DIMENSION 0.68" (17.46 mm)

General Specification: ISO 8015, JED-334-1, Size ISO 14405 LP		Copyright WABCO®		<b>WABCO</b> SAFETY VALVE				
Further Technical Data:		Date	Signature					
Doc. Code:	Sheet: To	2021-09-03	Sutton					
General Tolerances JED-261		Checked	Kostrzewa					
Range of nominal dimensions in mm		Dimensions in mm		Date of first issue: 2009-02-02				
Class	1)	≤ 50	> 50 < 180	> 180 < 400	> 400	Doc.Code	Language	Sheet
Fine		±0.25	±0.5	±0.75	±1	005	EN	1/1
Medium		±0.5	±1	±1.5	±2	934 606 002 0		
Coarse		±1	±1.75	±2.5	±3.25			
Tapped Holes acc.		Mass	Scale	Material No.		ECON-No.		
1) Tolerance Class Applied Crossmarked		0.068 kg	1:1	934 606 002 0		508542	Revision	Techn. Resp.
State of Revision		Size	CAD System	Replacement for		A 3	A	5030

Non e permesso consegnare a terzi o riprodurre questo documento, ne utilizzare il contenuto o renderlo comunque noto a terzi senza autorizzazione esplicita. Ogni infrazione costituirà un evidente abuso e comporterà il risarcimento dei danni subiti. E' fatta riserva di tutti i diritti derivanti da brevetti o modelli.

Toute communication ou reproduction de ce document, toute exploitation ou communication de son contenu sont interdites, sauf autorisation expresse. Tout manquement a cette regle constitue un abus evident et expose son auteur au versement de dommages et interets. Tous droits de propriete industrielle reserves, notamment en matiere de brevets et de modesles.

Weitergabe sowie Vervielfaeligung dieser Unterlage, Verwertung und Mitteilung ihres Inhalts nicht gestattet, soweit nicht ausdruecklich zugestanden. Zuwiderhandlungen stellen einen offensichtlichen Missbrauch dar und verpflichten zu Schadensersatz. Alle Rechte fuer den Fall der Patenterteilung oder Gebrauchsmuster-Eintragung vorbehalten.

A  
B  
C  
D  
E  
F