

CONNECTIONS 1 = SUPPLY
ANSCHLUESSE 1 = LUFTEINTRITT
ORIFICES 1 = ALIMENTATION
ORIFIZI 1 = ALIMENTAZIONE

- 21 = CIRCUIT 1
- 21 = KREIS 1
- 21 = CIRCUIT 1
- 21 = CIRCUITO 1
- 22 = CIRCUIT 2
- 22 = KREIS 2
- 22 = CIRCUIT 2
- 22 = CIRCUITO 2
- 23 = CIRCUIT 3
- 23 = KREIS 3
- 23 = CIRCUIT 3
- 23 = CIRCUITO 3
- 24 = CIRCUIT 4
- 24 = KREIS 4
- 24 = CIRCUIT 4
- 24 = CIRCUITO 4

WEIGHT 0.9 da N
GEWICHT 0.9 da N
POIDS 0.9 da N
PESO 0.9 da N

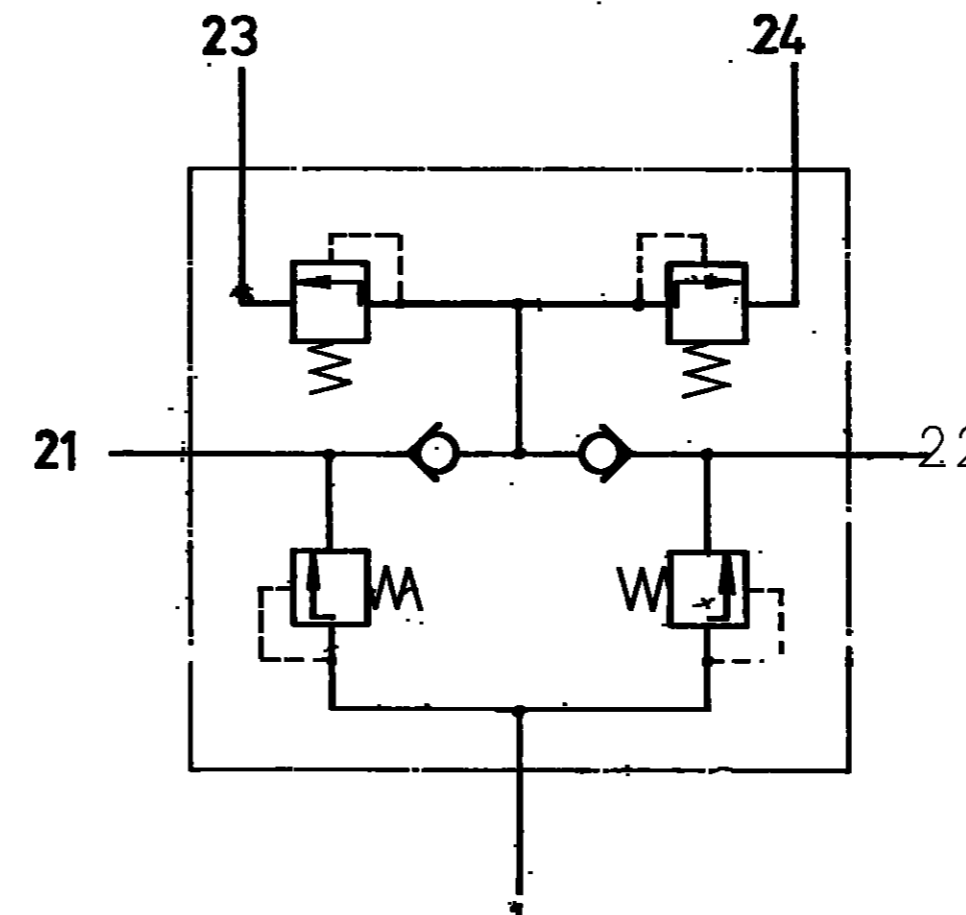
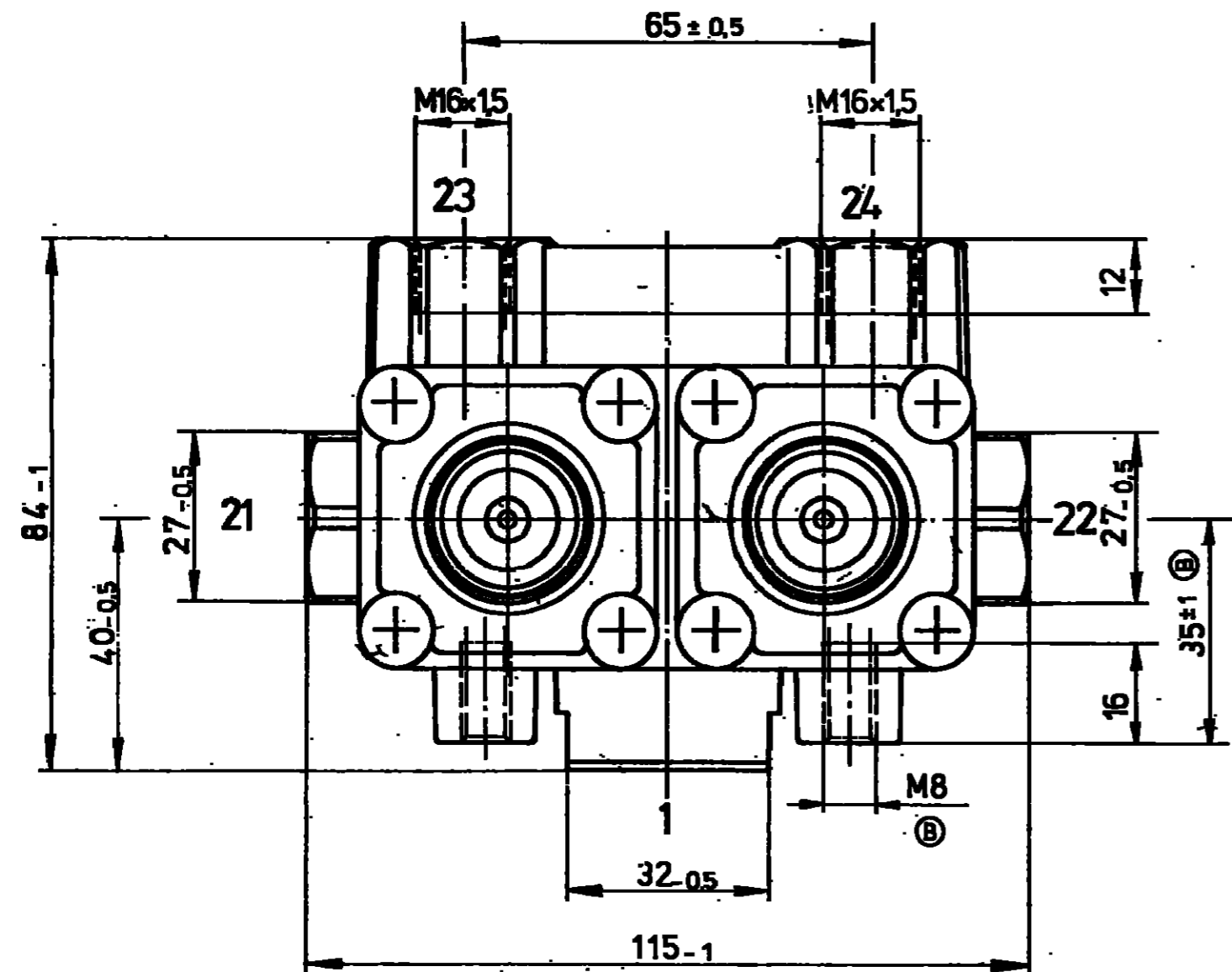
SERVICE PRESSURE MAX. 10 bar
BETRIEBSDRUCK MAX. 10 bar
PRESSION DE SERVICE MAX. 10 bar
PRESSIONE D'ESERCIZIO MAX. 10 bar

MEDIUM: AIR
MEDIUM: LUFT
MILIEU: AIR
FLUIDO: ARIA

ADMISSIBLE TEMPERATURES -40°C....+90°C
THERMISCHER ANWENDBEREICH -40°C....+90°C
TEMPERATURE DE SERVICE -40°C....+90°C
TEMPERATURA D'ESERCIZIO -40°C....+90°C

CLOSING PRESSURE DYNAMIC [bar]
SCHLIESSDRUCK DYNAMISCH [bar]
PRESSION DE FERMETURE DYNAMIQUE [bar]
PRESSIONE DI CHIUSURA DINAMICA [bar]

D	934 702 041 0	≥ 6.5	≥ 6.5	≥ 5.7	≥ 5.7
E	934 702 048 0	≥ 6.5	≥ 6.5	≥ 4.7	≥ 4.7
H	934 702 054 0	≥ 5.7	≥ 5.7	≥ 5.5	≥ 4.6
J	934 702 055 0	≥ 6.3	≥ 6.5	≥ 5.5	≥ 5.5



J	934 702 055 0	6.8 ^{0.3}	7.0 ^{0.3}	6.3 ^{0.3}	6.3 ^{0.3}
H	934 702 054 0	6.2-8.3	6.2-8.3	6.8 ^{0.3}	5.3-8.3
E	934 702 048 0	7-0.3	7-0.3	5.5-0.3	5.5-0.3
D	934 702 041 0	7-0.3	7-0.3	6.5-0.3	6.5-0.3
	934 702 040 0	6-0.3	6-0.3	5.5-0.3	5.5-0.3
		[bar]	[bar]	[bar]	[bar]
	DEVICE NUMBER GERAETENUMMER NO. D'APPAREIL NO. DELL'APPARECCHIO	CIRCUIT 1 KREIS 1 CIRCUIT 1 CIRCUITO 1	CIRCUIT 2 KREIS 2 CIRCUIT 2 CIRCUITO 2	CIRCUIT 3 KREIS 3 CIRCUIT 3 CIRCUITO 3	CIRCUIT 4 KREIS 4 CIRCUIT 4 CIRCUITO 4

OPENING PRESSURE = MAINTAINED PRESSURE
OEFFNUNGSDRUCK = GESICHERTER DRUCK
PRESSION D'OUVERTURE = PRESSION MAINTENUE
PRESSIONE DI APERTURA = PRESSIONE MANTENUTA

60484 2xJ 24.04.97

55812	2xH	13.2.94
36827	In G	10.09.8
33202	F	28.09.8
303442	E	23.8.84
4633	1 D	13.2.76
896	C	3.12.74
821	B	15.5.74
688	A	3.3.73
C.R.No.	Letter	Date

Tolerance not specified Toleranz nicht spezifiziert Tolleranza non specificata Tolleranza non specificata	Material Werkstoff Materie Materie	Supplied as Lieferzustand Etat de livraison Stato di consegna
Tolerance standard Tolleranza standard	Surface protection Oberflaechenschutz Protezione Protezione	Max. value of roughness Ra in µm Max. valore di rugosità Ra in µm Max. valore de la rugosité Ra en µm Max. valore della rugosità Ra in µm
	JED-128-P JED-101-P1	
	Finish Fertigung Trattamento Trattamento	Finish as Ruhmzustand No. piece finish No. pezzo finito

PROTECTION VALVE (FOR FOUR CIRCUITS)
SCHUTZVENTIL (FÜR VIERKREIS-ANLAGEN)
VALVE DE PROTECTION (A QUATRE CIRCUITS)
VALVOLA DI PROTEZIONE (A QUATTRO CIRCUITI)

934 702 040 0

WESTINGHOUSE
JOINT ENGINEERING DEPARTMENT

Replacement No.
 Ersatz Nr.
 Numero
 Ersatznummer

653