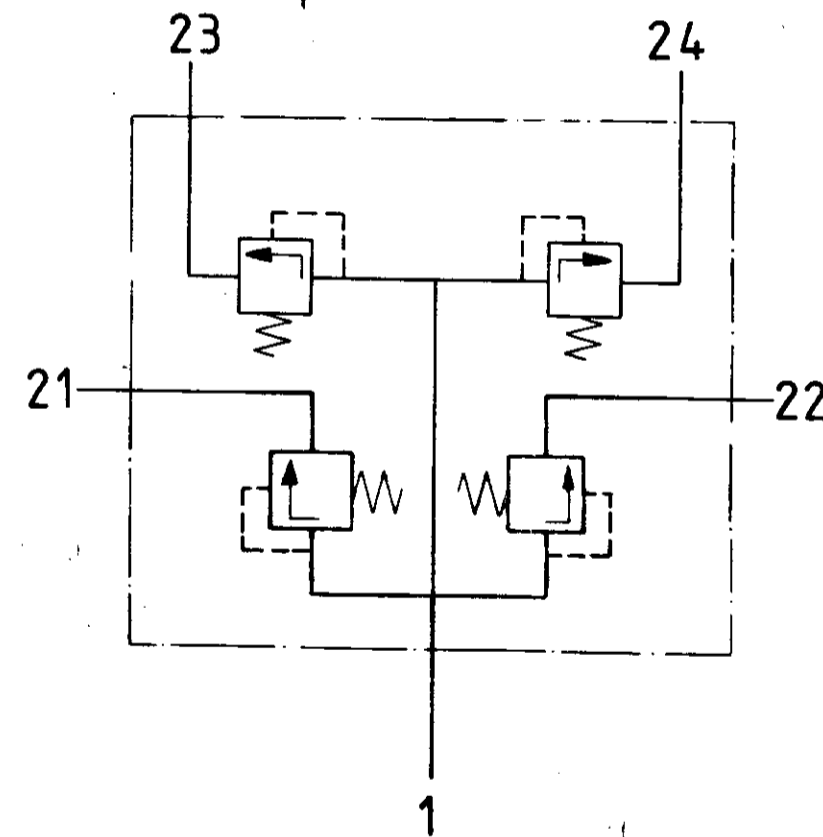
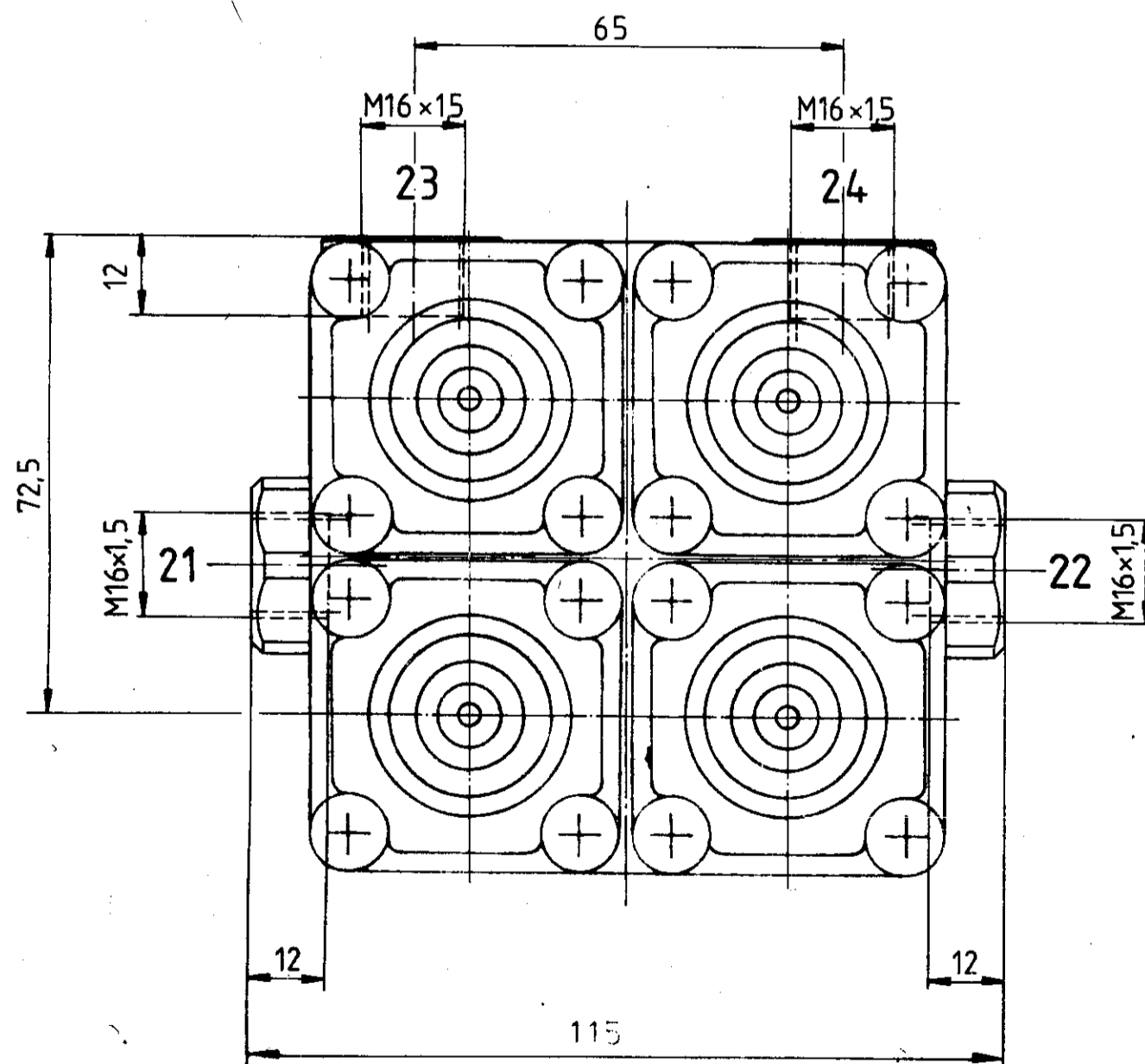
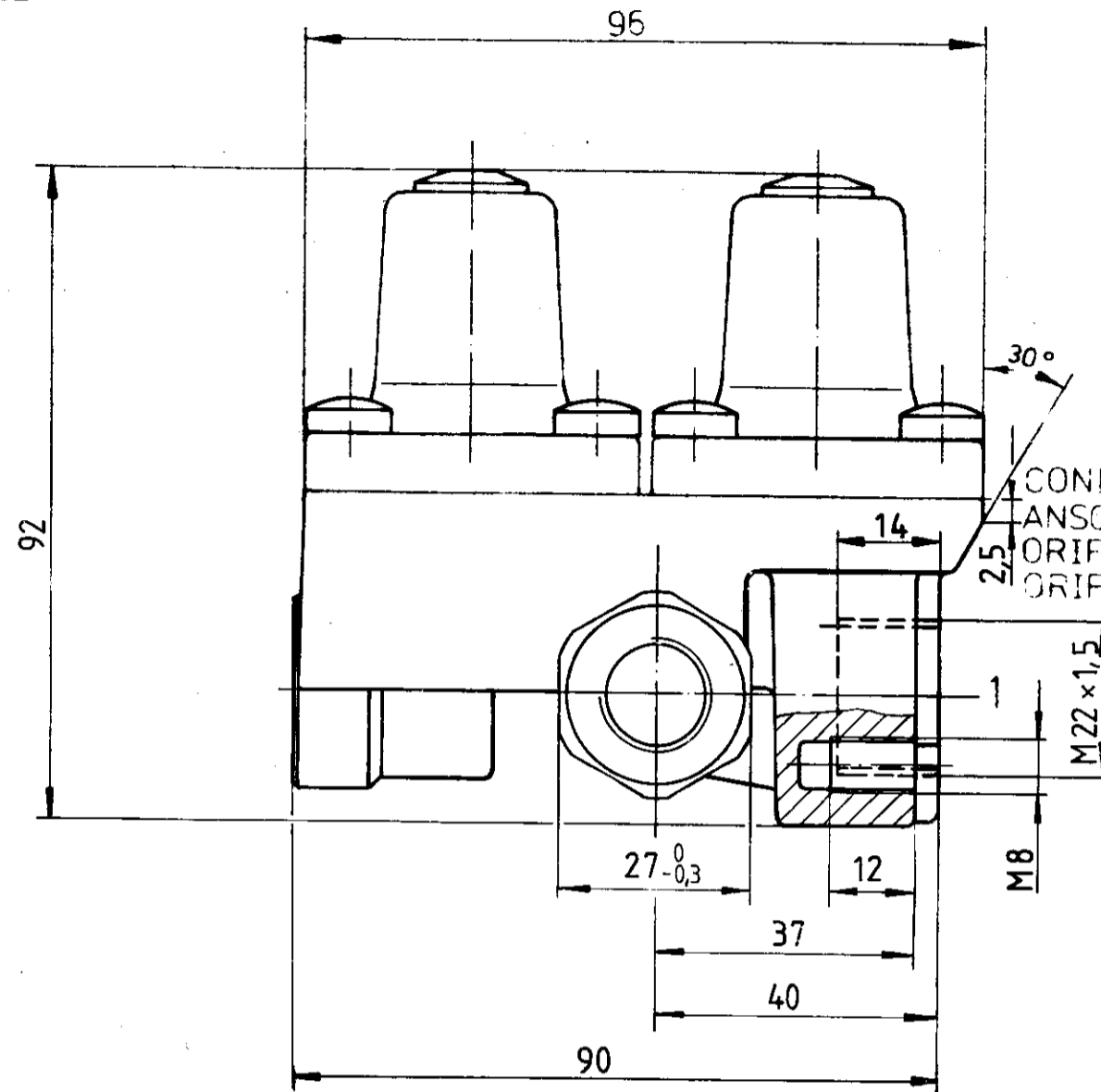
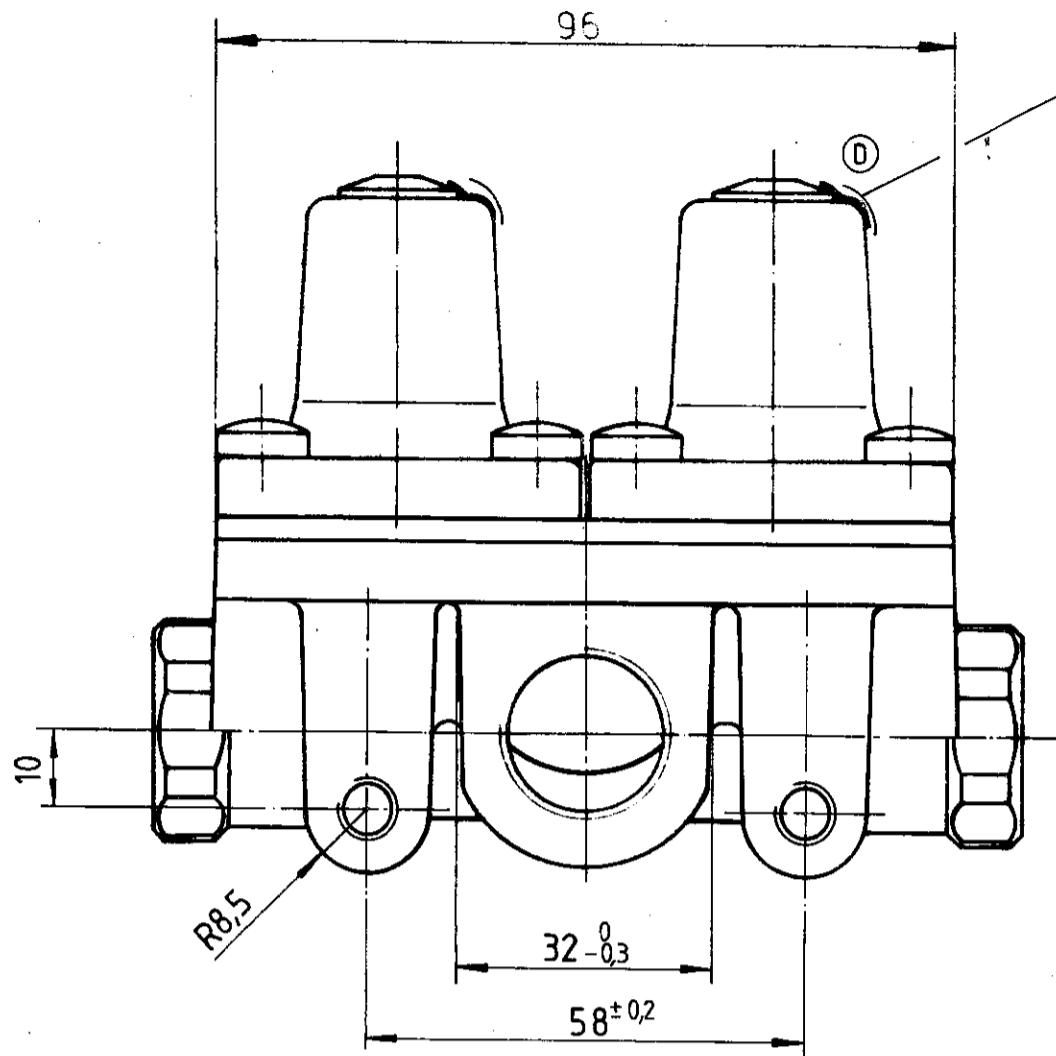


ADJUSTMENT MARKED WITH PAINT
 EINSTELLUNG MIT LACK GEKENNZEICHNET
 AJUSTAGE MARQUE AVEC VERNIS
 REGOLAZIONE MARCATA CON VERNICE



SERVICE PRESSURE
 BETRIEBSDRUCK MAX 10 bar
 PRESSION DE SERVICE
 PRESSIONE D'ESERCIZIO

MEDIUM : AIR
 MEDIUM : LUF T
 MILIEU : AIR
 FLUIDO : ARIA

- CONNECTIONS:
 ANSCHLUESSE:
 ORIFICES:
 GRIFIZI:
- 1 = SUPPLY
 - 1 = LUFTEINTRITT
 - 1 = ALIMENTATION
 - 1 = ALIMENTAZIONE
 - 21 = CIRCUIT 1
 - 21 = KREIS 1
 - 21 = CIRCUIT 1
 - 21 = CIRCUITO 1
 - 22 = CIRCUIT 2
 - 22 = KREIS 2
 - 22 = CIRCUIT 2
 - 22 = CIRCUITO 2
 - 23 = CIRCUIT 3
 - 23 = KREIS 3
 - 23 = CIRCUIT 3
 - 23 = CIRCUITO 3
 - 24 = CIRCUIT 4
 - 24 = KREIS 4
 - 24 = CIRCUIT 4
 - 24 = CIRCUITO 4

CIRCUIT KREIS CIRCUIT CIRCUITO	21	22	23	24
OPENING PRESSURE [bar] OEFFNUNGSDRUCK [bar] PRESSION D'OUVERTURE [bar] PRESSIONE DI APERTURA [bar]	79 ⁰ _{-0.3}	79 ⁰ _{-0.3}	79 ⁰ _{-0.3}	79 ⁰ _{-0.3}
CLOSING PRESSURE STATIC [bar] SCHLISSDRUCK STATISCH [bar] PRESSION FERMETURE STAT. [bar] PRESSIONE DI CHIUSURA STATICO [bar]	≥ 64	≥ 64	≥ 64	≥ 64

THERMAL RANGE OF APPLICATION FROM -40°C TO +90°C
 THERMISCHER ANWENDBEREICH VON -40°C AUF +90°C
 GAMMA D'APPLICATION THERMIQUE DE -40°C A +90°C
 CAMPO DI APPLICAZIONE TERMICA DA -40°C A +90°C

Mark & patent information is hereby acknowledged. Any unauthorized reproduction or use of this document without the express written consent of the manufacturer is prohibited. The manufacturer assumes no liability for damages or injury resulting from the use of this product. All rights are reserved.

FURTHER TECHNICAL DATA SEE		J		H		G		F		E		D		C		B		A	
IDENTIFICATION No	CODE FOR DOCUMENT	605	SHEET	TO	83-11-02	A. Schütz		Bonnhof		Günter		934 702 191 0		512		6 05			
GENERAL TOLERANCES		RANGE OF NOMINAL DIMENSIONS (± mm)		49429-1 D 191-11-25		V36827 114 C 87-09-10		V30317 1 B 184-03-01		REPLACEMENT FOR		934 702 191 0		OF 79-07-16		A-2		140	
CLASS		≤ 50	> 50	> 180	> 400	± 0.5		± 1		± 1.5		± 2		± 3		± 4		± 6.5	
I		0.5	1	1.5	2														
II	x	1	2	3	4														
III		2	3.5	5	6.5														
TAPPED HOLES ACC. ISO 4039		1) TOLERANCE CLASS APPLIED CROSSMARKED		REPLACEMENT FOR		934 702 191 0		OF 79-07-16		A-2		140		512		6 05			