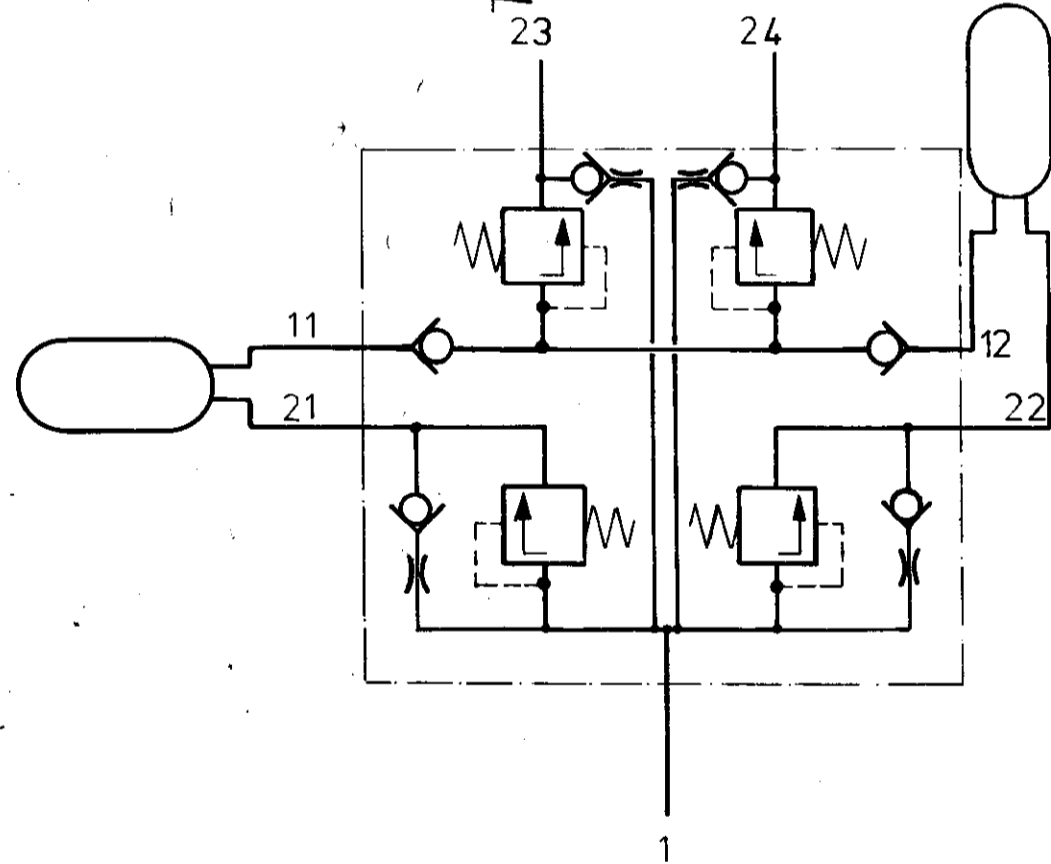
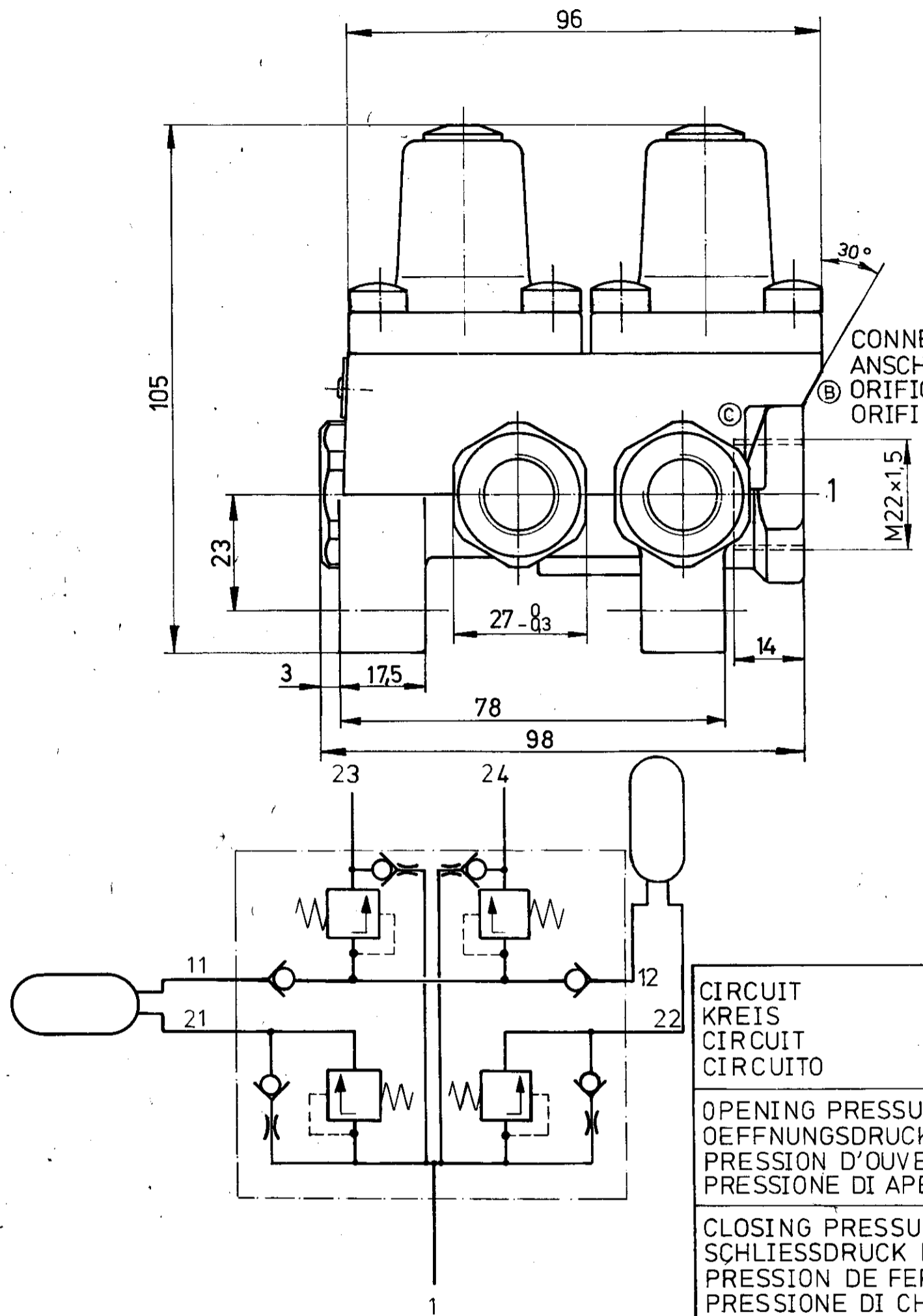
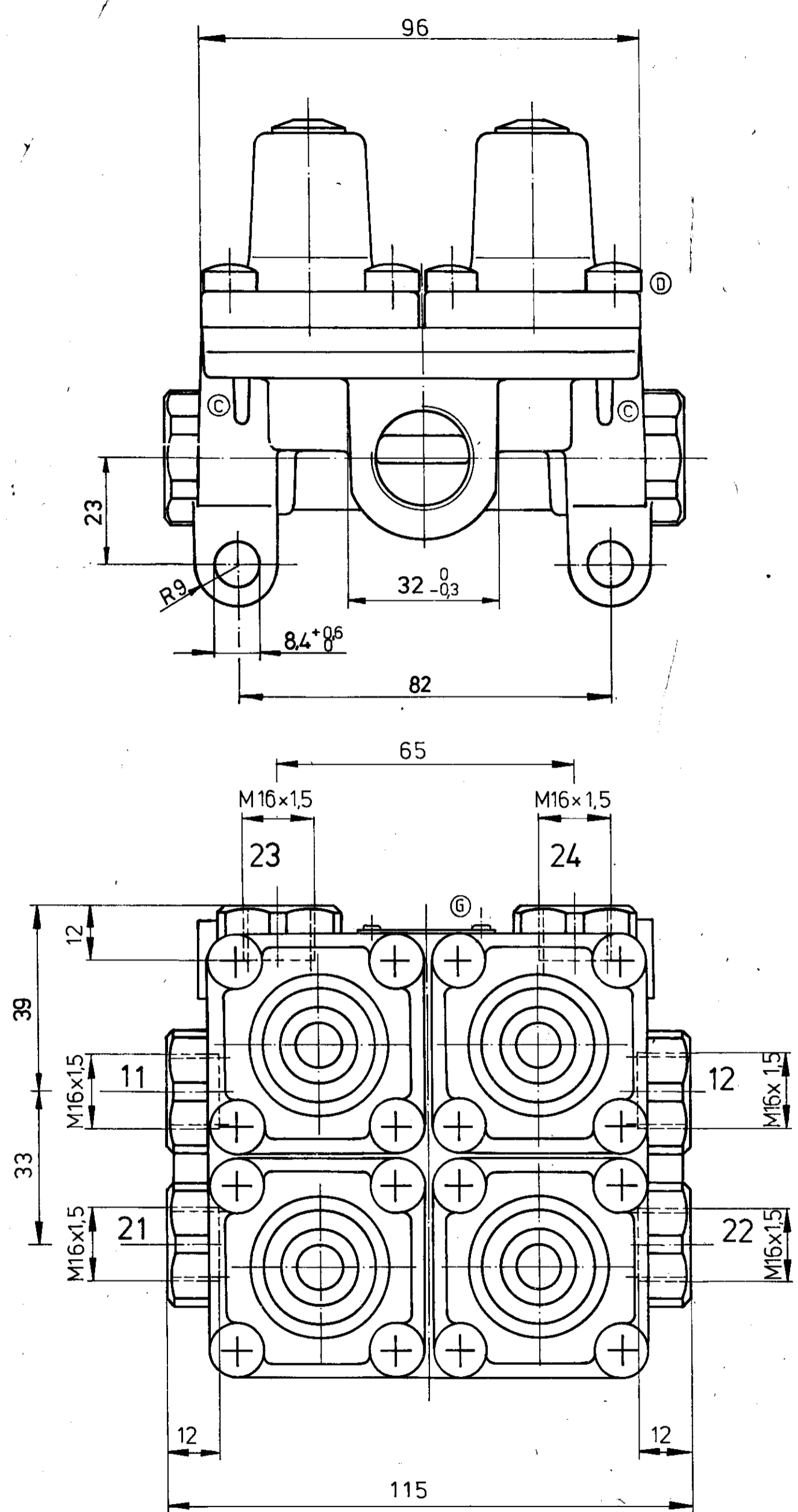


COPYRIGHT BY WESTINGHOUSE BREMEN UND APPARATEBAU GMBH, HANNOVER  
 Tous droits de propriété industrielle réservés. Réservés tous les droits de concession de brevets ou de registratione di un modello di utilità.  
 All rights reserved in the event of the grant of a patent or the registration of a utility model or design. Alle Rechte für den Fall der Patentierung oder Gebrauchsmuster-Eintragung vorbehalten.



SERVICE PRESSURE :  $\text{Ⓢ}$   
 BETRIEBSDRUCK : MAX. 10bar  
 PRESSION DE SERVICE :  
 PRESSIONE D'ESERCIZIO:

MEDIUM : AIR  
 MEDIUM : LUFT  
 MILIEU : AIR  
 FLUIDO : ARIA

CONNECTIONS: = SUPPLY  
 ANSCHLUESSE: = LUFTEINTRITT  
 ORIFICES: 1, 11, 12 = ALIMENTATION  
 ORIFIZI: = ALIMENTAZIONE.

21 = CIRCUIT 1  
 = KREIS 1  
 = CIRCUIT 1  
 = CIRCUITO 1

22 = CIRCUIT 2  
 = KREIS 2  
 = CIRCUIT 2  
 = CIRCUITO 2

23 = CIRCUIT 3  
 = KREIS 3  
 = CIRCUIT 3  
 = CIRCUITO 3

24 = CIRCUIT 4  
 = KREIS 4  
 = CIRCUIT 4  
 = CIRCUITO 4

\*) OPENING PRESSURE = MAINTAINED PRESSURE  
 OEFFNUNGSDRUCK = GESICHERTER DRUCK  
 PRESSION D'OUVERTURE = PRESSION MAINTENUE  
 PRESSIONE DI APERTURA = PRESSIONE MANTENUTA

ADMISSIBLE TEMPERATURES  
 THERMISCHER ANWENDUNGSBEREICH - 40°...+90°  
 TEMPERATURE DE SERVICE  
 TEMPERATURA D'ESERCIZIO

CIRCUIT KREIS CIRCUIT CIRCUITO	21	22	23	24
OPENING PRESSURE [bar] OEFFNUNGSDRUCK [bar] PRESSION D'OUVERTURE [bar] PRESSIONE DI APERTURA [bar]			7-03	
CLOSING PRESSURE DYNAMIC [bar] SCHLISSDRUCK DYNAMISCH [bar] PRESSION DE FERMETURE DYNAM. [bar] PRESSIONE DI CHIUSURA DINAM. [bar]			≅ 5	
CLOSING PRESSURE STATIC [bar] AT FAILURE OF CIRCUIT SCHLISSDRUCK STATISCH [bar] BEI AUSFALL VON KREIS PRESSION DE FERMETURE STAT. [bar] EN CAS DE DEFAILLANCE DU CIRCUIT PRESSIONE DI CHIUSURA STATICO [bar] IN CASO DI DIFETTO DEL CIRCUITO	0	≅ 4,5 $\text{Ⓢ}$	≅ 6,7 $\text{Ⓢ}$	0
	≅ 4,5 $\text{Ⓢ}$	0	≅ 6,7 $\text{Ⓢ}$	0
	4,5 <sup>+0,7</sup> $\text{Ⓢ}$	0	4,5 <sup>+0,7</sup> $\text{Ⓢ}$	0
	4,5 <sup>+0,7</sup> $\text{Ⓢ}$	4,5 <sup>+0,7</sup> $\text{Ⓢ}$	0	0

DATE		SIGNATURE		WABCO WESTINGHOUSE	
45038	1 G 90-04-25	75-10-30	<i>Feuerstein</i>	PROTECTION VALVE (FOR 4 CIRCUITS)	
36827	1 F 87-09-11	75-10-30	<i>Boon</i>	VALVE DE PROTECTION (A 4 CIRC.)	
33263	4 E 86-01-22	75-11-13	<i>Boon</i>	VALVOLA DI PROTEZIONE (A 4 CIRC.)	
30345	1 D 84-07-20			SCHUTZVENTIL (FUER 4-KREIS-ANL)	
13132	3x C 77-08-18			IDENTIFICATION CODE	
14669	1x B 76-09-16	MASS	SCALE	934 702 210 0	
14624	2 A 75-11-26	1,2	1:1	SHEET	
CHANGE NO.	LETT.	DATE	T.R.	1/1	
REPLACEMENT FOR	SIZE	T.R.	CODE FOR FUNCTION	CODE FOR SHARP	
	A 2	140		605	

100 mm