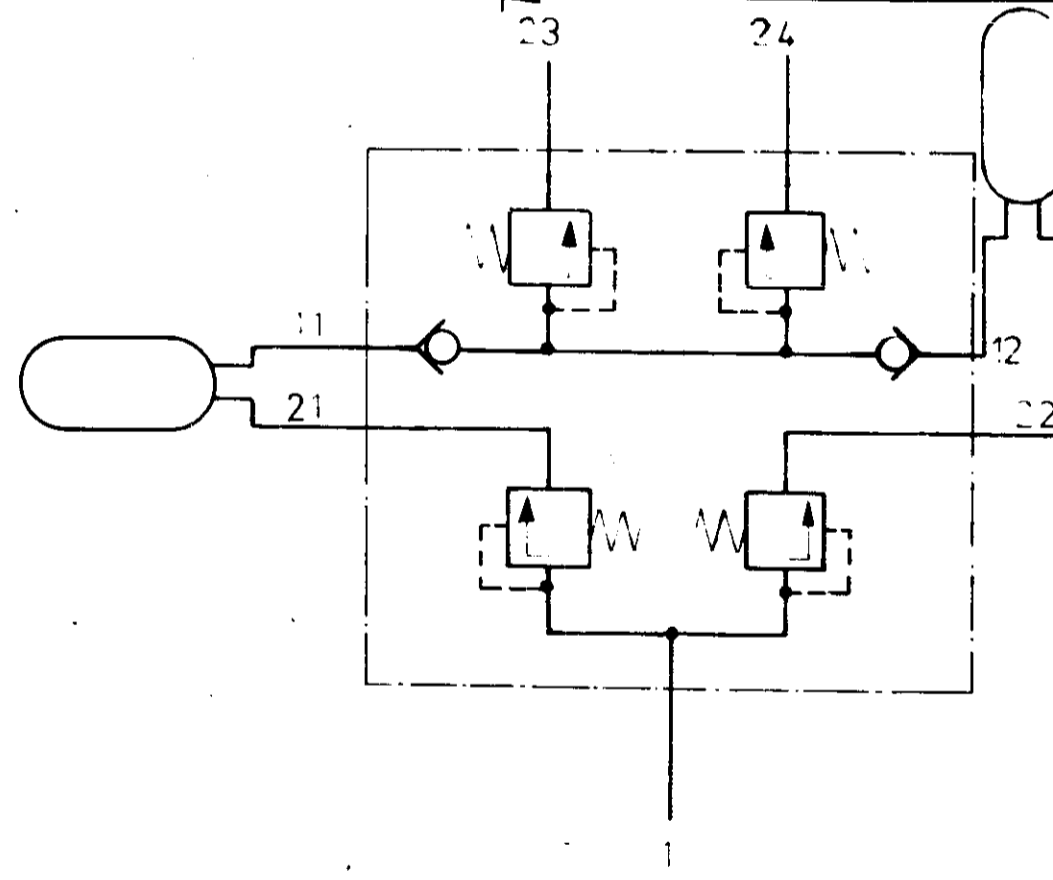
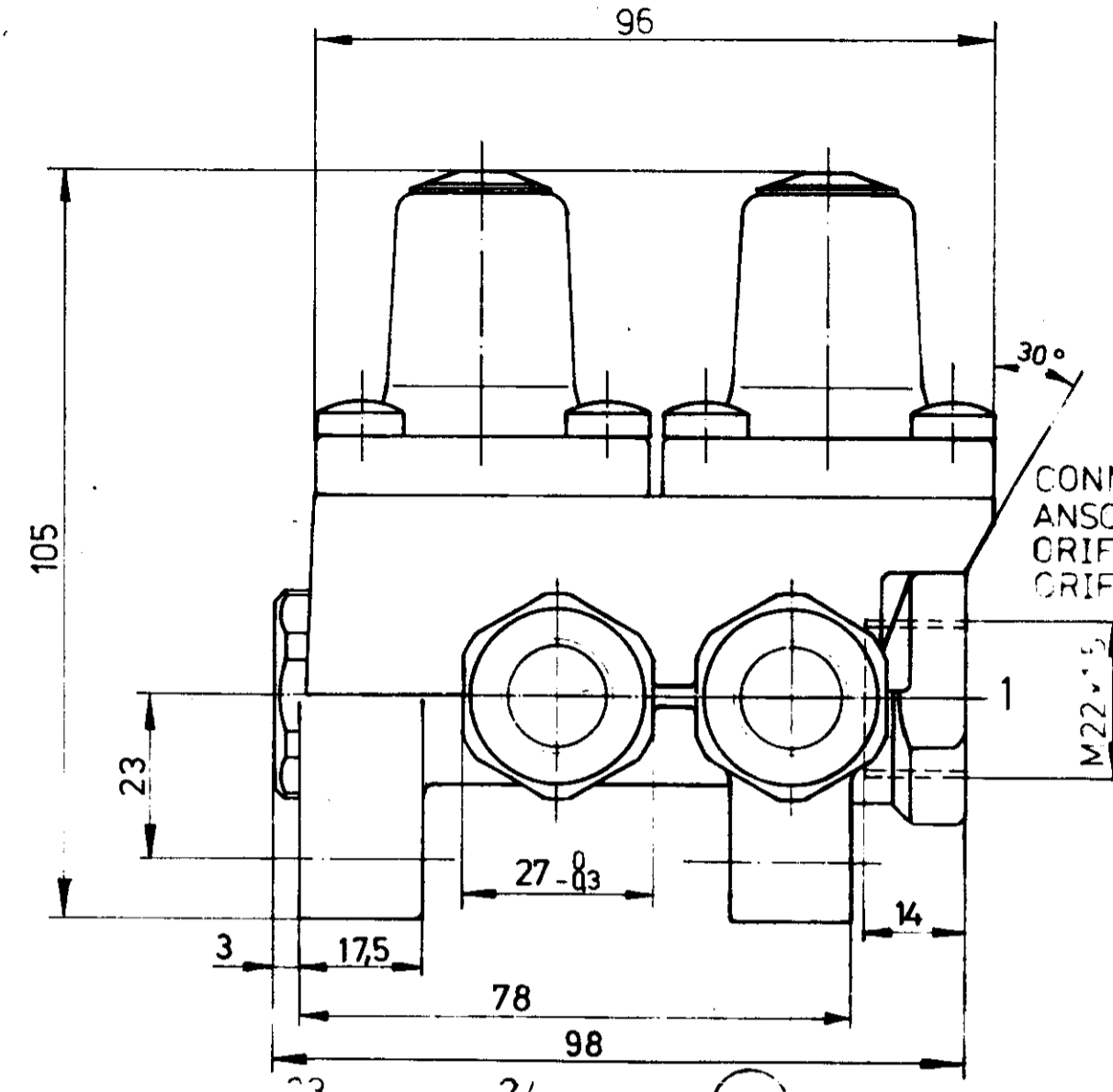
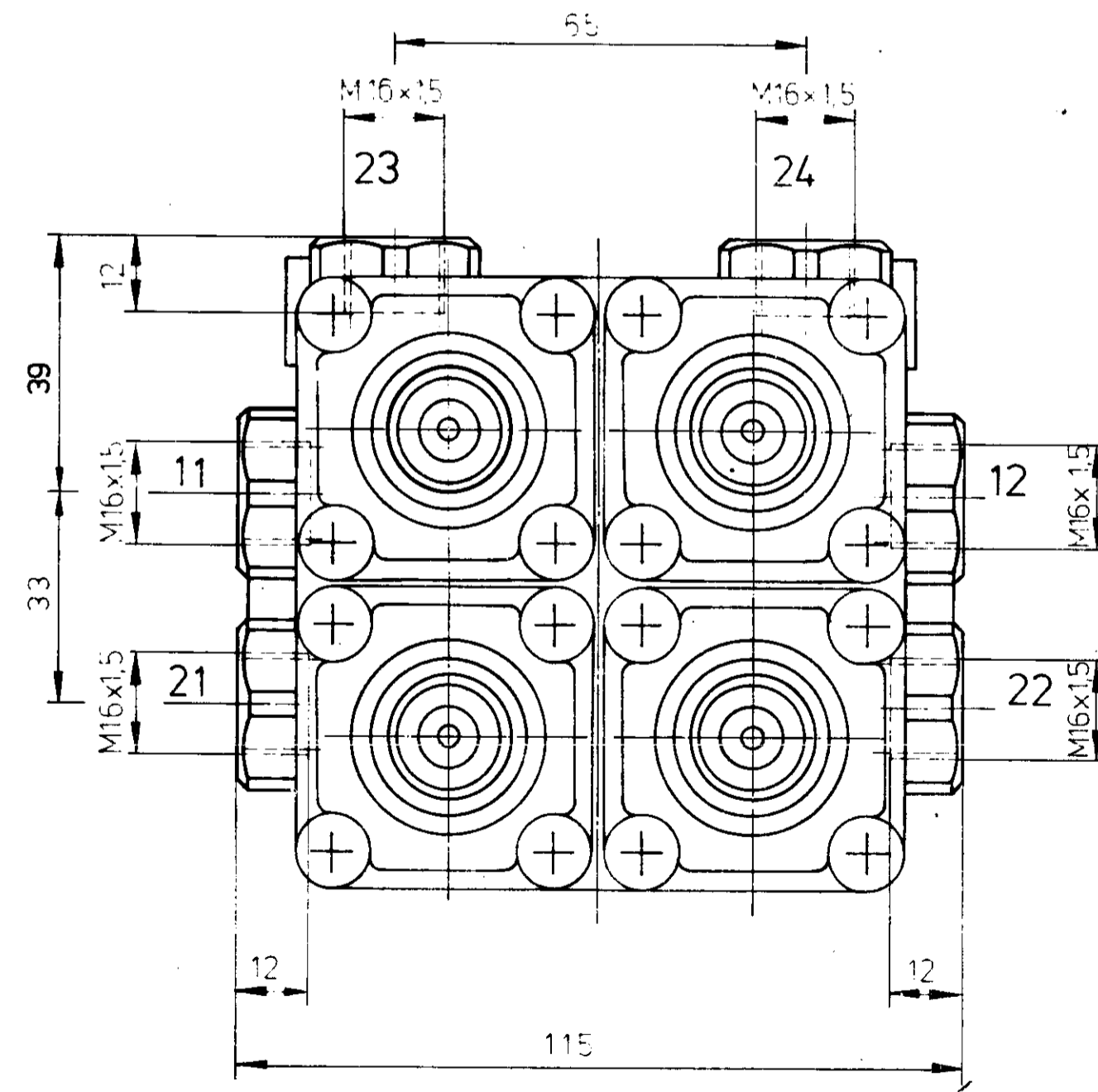
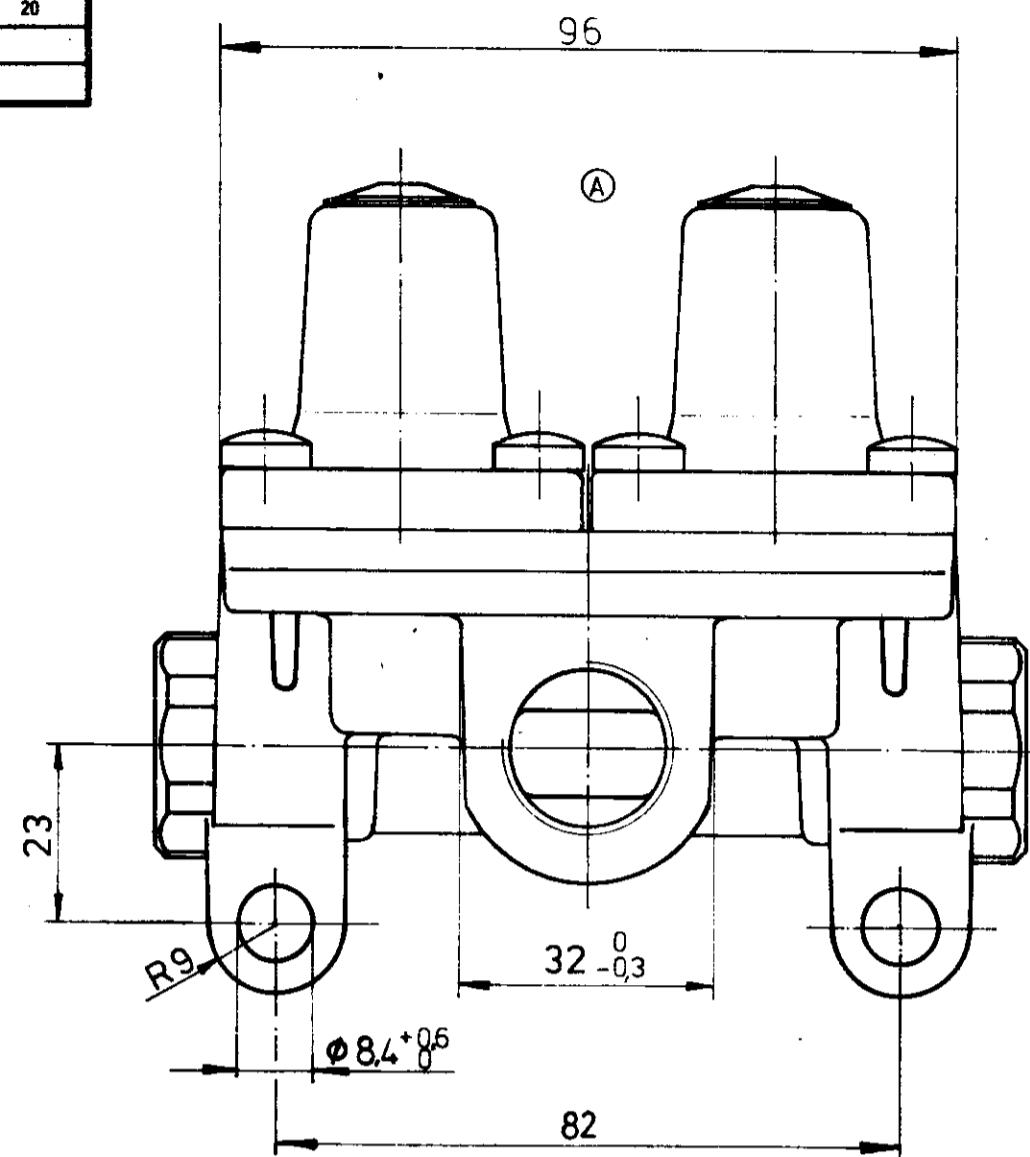


| GENERAL TOLERANCES |                                       |               |                |       |                                   |
|--------------------|---------------------------------------|---------------|----------------|-------|-----------------------------------|
| CLASS              | RANGE OF NOMINAL DIMENSIONS<br>(± mm) |               |                |       | FORCE, POWER,<br>PRESSURE<br>ETC. |
|                    | ≤ 50                                  | > 50<br>≤ 100 | > 100<br>≤ 400 | > 400 |                                   |
| I                  | 0.5                                   | 1             | 1.5            | 2     | 5                                 |
| II                 | 1                                     | 2             | 3              | 4     | 10                                |
| III                | 2                                     | 3.5           | 5              | 6.5   | 20                                |

TAPPED HOLES ACC. ISO 4039  
TOLERANCE CLASS APPLIED CROSSMARKED



SERVICE PRESSURE  $p_e$ :  $p_{eMAX}$  10 bar  
 BE TRIEBSDRUCK  $p_e$ : MAX 10 bar  
 PRESSION DE SERVICE  $p_e$ :  
 PRESSIONE D'ESERCIZIO  $p_e$ :  
 MEDIUM : AIR  
 MEDIUM : LUFT  
 MILIEU : AIR  
 FLUIDO : ARIA

CONNECTIONS:  
ANSCHLUESSE  
CRIFICES  
GRIFIZI

- = SUPPLY
- = LUFTEINTRITT
- = ALIMENTATION
- = ALIMENTAZIONE
- 1, 11, 12 =
- 21 = CIRCUIT 1
- 22 = CIRCUIT 2
- 23 = CIRCUIT 3
- 24 = CIRCUIT 4

| CIRCUIT<br>KREIS<br>CIRCUITO   | 21                             | 22                             | 23                               | 24                               |
|--|--------------------------------|--------------------------------|----------------------------------|----------------------------------|
| OPENING PRESSURE [bar]<br>OEFFNUNGSDRUCK [bar]<br>PRESSION D'OUVERTURE [bar]<br>PRESSIONE DI APERTURA [bar]                              | 7 <sup>0</sup> <sub>-0.3</sub> | 7 <sup>0</sup> <sub>-0.3</sub> | 6.5 <sup>0</sup> <sub>-0.3</sub> | 6.5 <sup>0</sup> <sub>-0.3</sub> |
| CLOSING PRESSURE DYNAMIC [bar]<br>SCHLISSDRUCK DYNAMISCH [bar]<br>PRESSION DE HERMETURE DYNAM [bar]<br>PRESSIONE DI CHIUSURA DINAM [bar] | ≥ 6.5                          | ≥ 6.5                          | ≥ 5.7                            | ≥ 5.7                            |

\* OPENING PRESSURE = MAINTAINED PRESSURE  
 OEFFNUNGSDRUCK = GESICHERTER DRUCK  
 PRESSION D'OUVERTURE = PRESSION MAINTENUE  
 PRESSIONE DI APERTURA = PRESSIONE MANTENUTA

ADMISSIBLE TEMPERATURES  
 THERMISCHER ANWENDUNGSBEREICH -40°...+90°  
 TEMPERATURE DE SERVICE  
 TEMPERATURA D'ESERCIZIO

Tous droits de propriété industrielle réservés. Reservati tutti i diritti in caso di concessione di brevetti o di registrazione di un modello di utilità. All rights reserved in the event of the grant of a patent or the registration of a utility model or design. Alle Rechte für den Fall der Patentierung oder Gebrauchsmuster-Eintragung vorbehalten.

368 27 1148 87-09-11

2609 4° 1 (A) 82-08-11

REPLACEMENT FOR

MASS SCALE 1:1

SIZE T.R.I. A 2 140

IDENTIFICATION 934 702 240 0

CODE FOR FUNCTION CODE FOR SHAPE CODE FOR DOCUMENT

605

100 mm

5331 Gebr. Wid