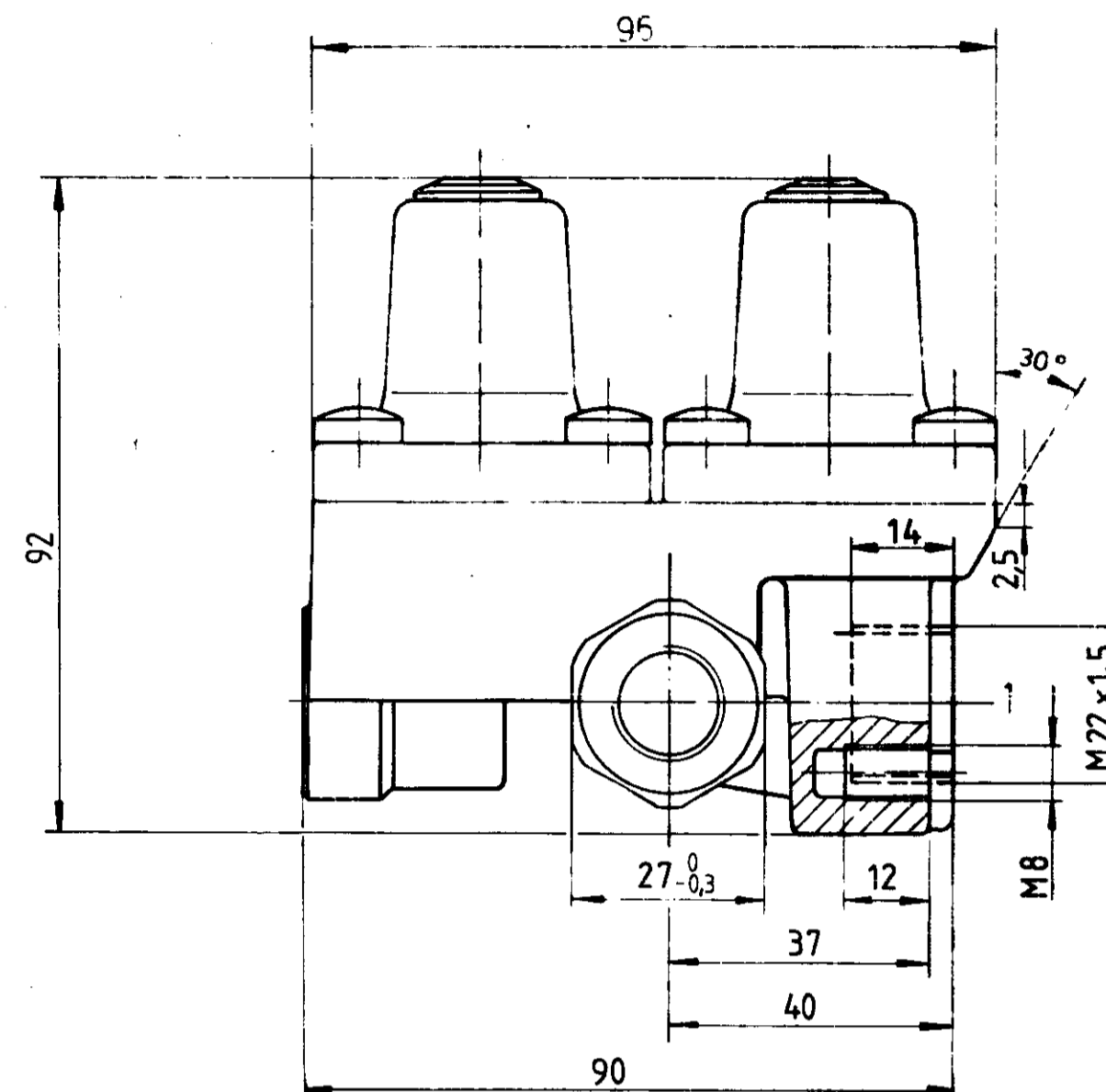
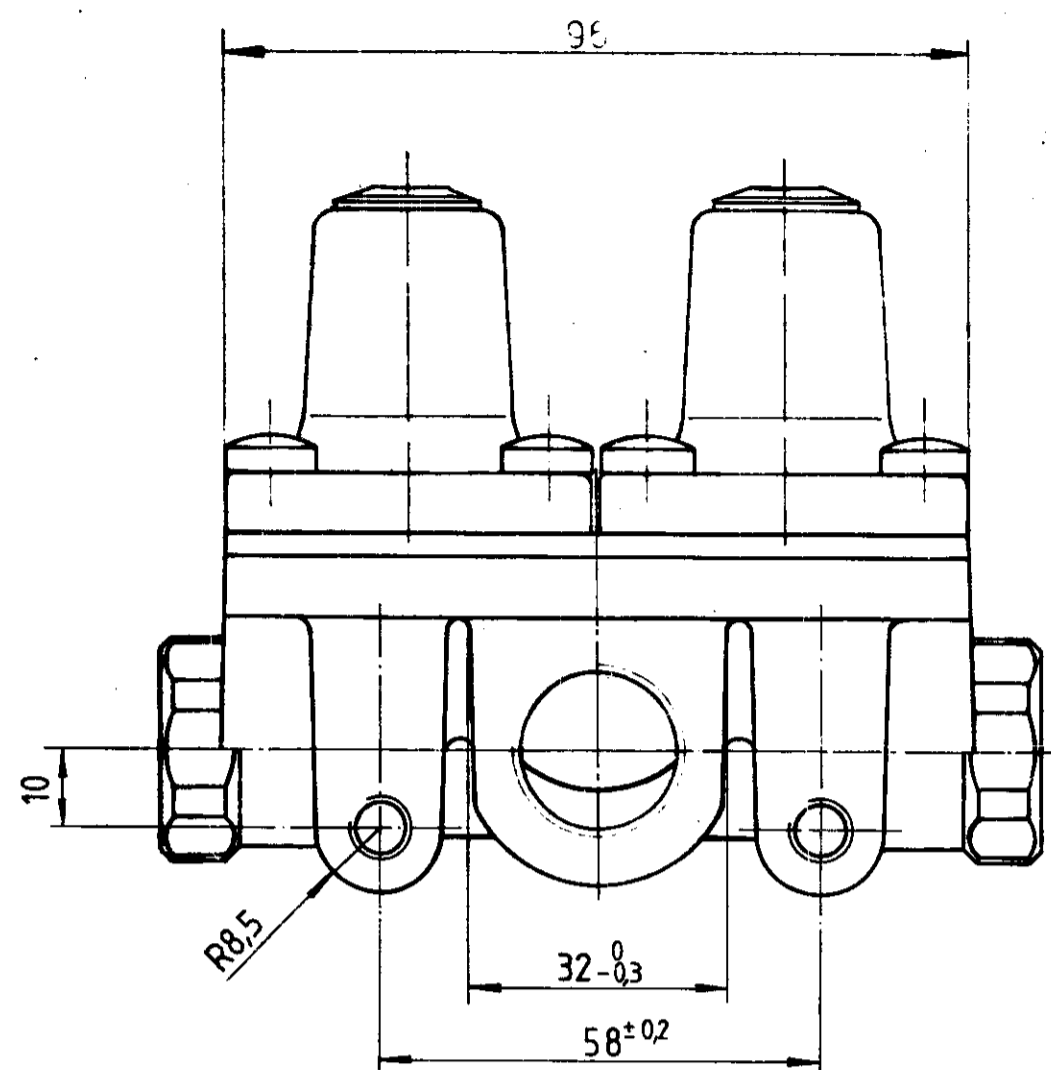


*: OPENING PRESSURE = MAINTAINED PRESSURE
 OEFFNUNGSDRUCK = GESICHERTER DRUCK
 PRESSION D'OUVERTURE = PRESSION MAINTENUE
 PRESSIONE DI APERTURA = PRESSIONE MANTENUTA

MEDIUM: AIR
 MEDIUM: LUFT
 MILIEU: AIR
 FLUIDO: ARIA

SERVICE PRESSURE:
 BETRIEBSDRUCK:
 PRESSION DE SERVICE:
 PRESSIONE D'ESERCIZIO:

MAX. 20 bar
 (A)
 (B)



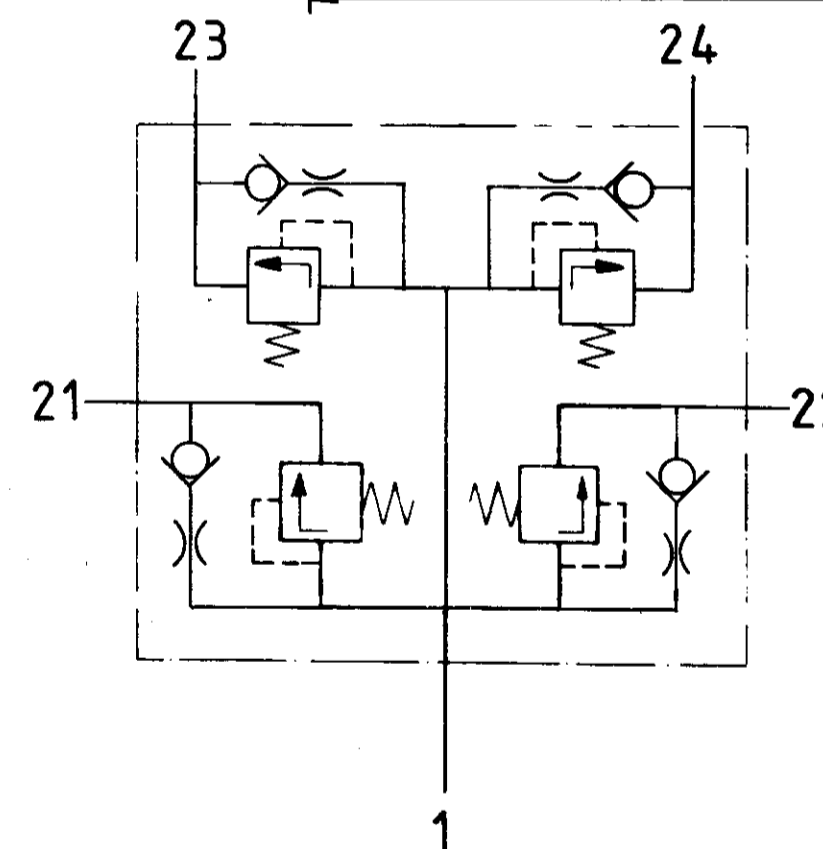
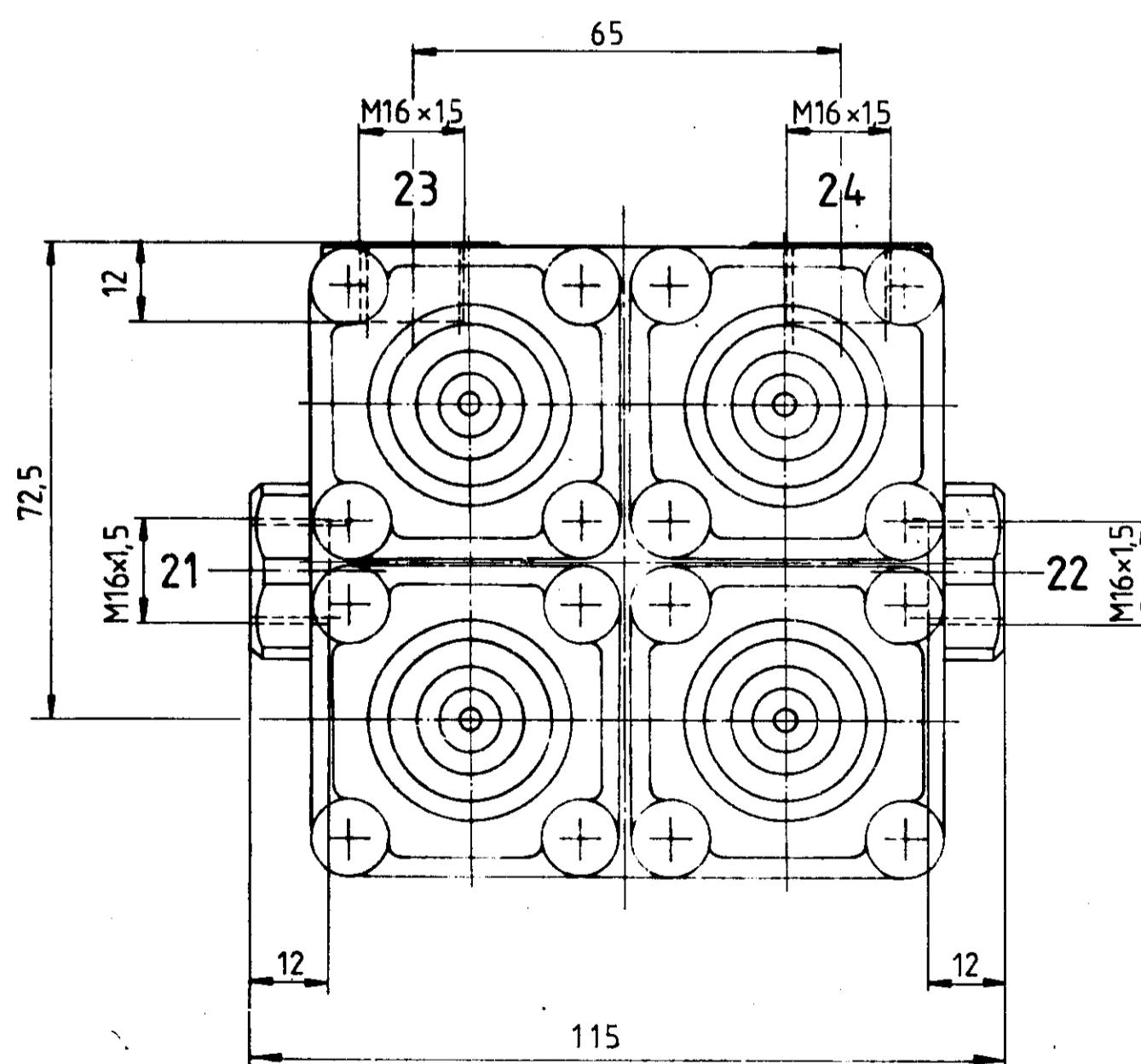
CONNECTIONS: 1 = SUPPLY
 ANSCHLUESSE: 1 = LUFTEINTRITT
 ORIFICES: 1 = ALIMENTATION
 ORIFICI: 1 = ALIMENTAZIONE

21 = CIRCUIT 1
 21 = KREIS 1
 21 = CIRCUIT 1
 21 = CIRCUITO 1

22 = CIRCUIT 2
 22 = KREIS 2
 22 = CIRCUIT 2
 22 = CIRCUITO 2

23 = CIRCUIT 3
 23 = KREIS 3
 23 = CIRCUIT 3
 23 = CIRCUITO 3

24 = CIRCUIT 4
 24 = KREIS 4
 24 = CIRCUIT 4
 24 = CIRCUITO 4



CIRCUIT KREIS CIRCUIT CIRCUITO	21	22	23	24
OPENING PRESSURE (bar) * OEFFNUNGSDRUCK (bar) PRESSION D'OUVERTURE (bar) PRESSIONE DI APERTURA (bar)	6,5 ⁰ _{-0,3}	6,5 ⁰ _{-0,3}	6,5 ⁰ _{-0,3}	6,5 ⁰ _{-0,3}
CLOSING PRESSURE DYNAMIC (bar) SCHLIESSDRUCK DYNAMISCH (bar) PRESSION DE FERMETURE DYNAM. (bar) PRESSIONE DI CHIUSURA DINAM. (bar)	≥ 4,5			
CLOSING PRESSURE STATIC (bar) AT FAILOR OF CIRCUIT..... SCHLIESSDRUCK STATISCH (bar) BEI AUSFALL VON KREIS..... PRESSION DE FERMETURE STAT. (bar) EN CAS DE DEFAILLANCE DU CIRCUIT..... PRESSIONE DI CHIUSURA STATICO (bar) IN CASO DI DIFETTO DEL CIRCUITO.....	0	≥ 4,0	≥ 4,0	≥ 4,0
	≥ 4,0	0	≥ 4,0	≥ 4,0
	≥ 4,0	≥ 4,0	0	≥ 4,0
	≥ 4,0	≥ 4,0	≥ 4,0	0

THERMAL RANGE OF APPLICATION FROM -40°C TO +90°C
 THERMISCHER ANWENDUNGSBEREICH VON -40°C AUF +90°C
 GAMMA D'APPLICATION THERMIQUE DE -40°C A +90°C
 CAMPO DI APPLICAZIONE TERMICA DA -40°C A +90°C

FURTHER TECHNICAL DATA SEE		86-04-15		86-06-03		934 702 251 0	
IDENTIFICATION No.	CODE FOR DOCUMENT: 605 SHEET: TO	86-04-15		86-06-03		934 702 251 0	
GENERAL TOLERANCES		86-04-15		86-06-03		934 702 251 0	
RANGE OF NOMINAL DIMENSIONS (± mm)		86-04-15		86-06-03		934 702 251 0	
CLASS		86-04-15		86-06-03		934 702 251 0	
I	0.5	86-04-15		86-06-03		934 702 251 0	
II	1	86-04-15		86-06-03		934 702 251 0	
III	2	86-04-15		86-06-03		934 702 251 0	
TAPPED HOLES ACC. ISO 4039		86-04-15		86-06-03		934 702 251 0	
1) TOLERANCE CLASS APPLIED CROSSMARKED		86-04-15		86-06-03		934 702 251 0	

This document is the property of the manufacturer and is loaned to the customer. It is not to be reproduced, copied, or disseminated in any form without the written consent of the manufacturer. The manufacturer assumes no responsibility for any damage or loss of data resulting from the use of this document.