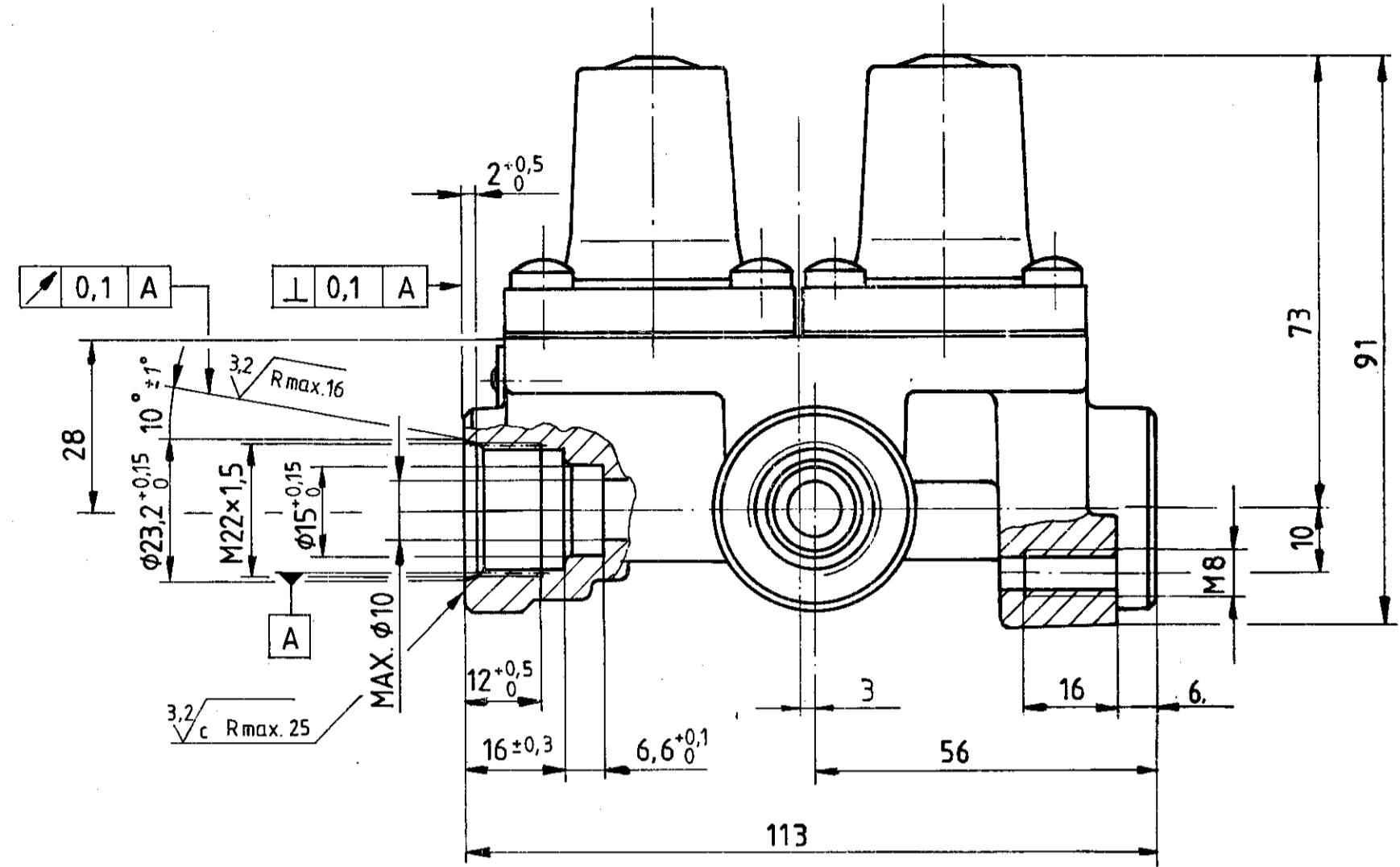
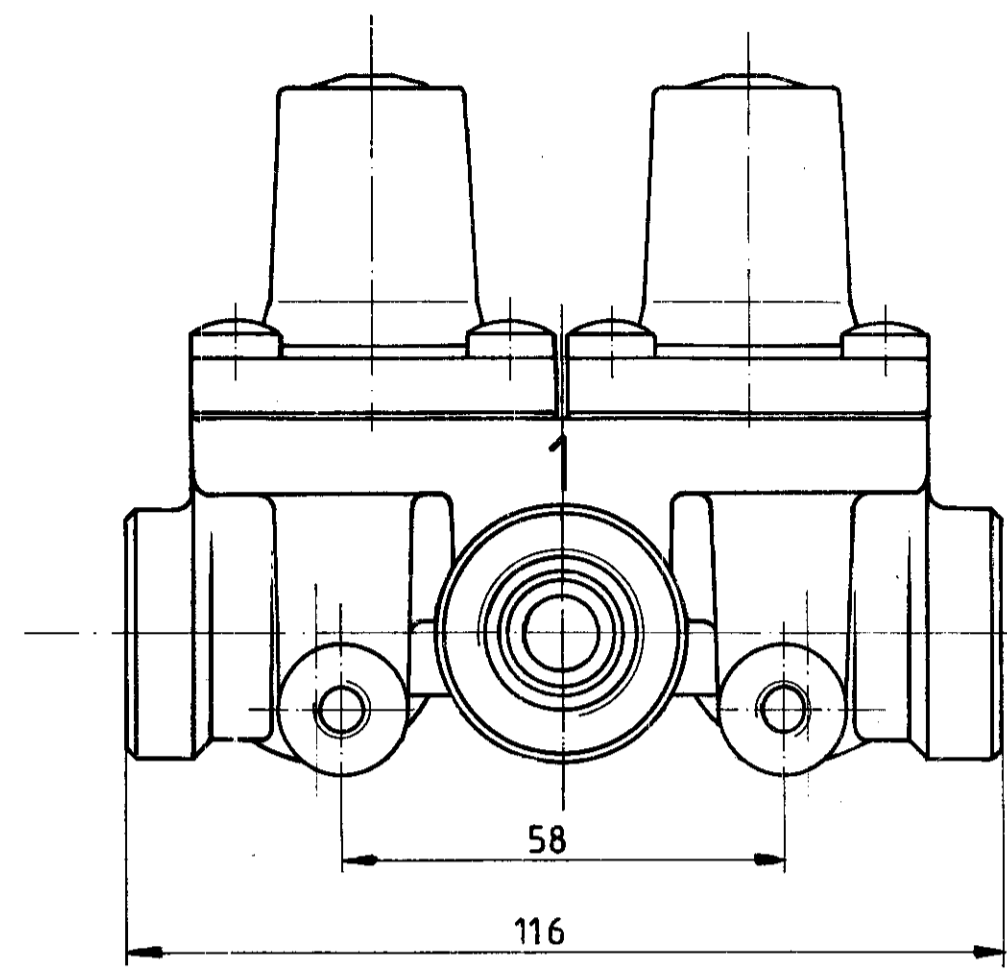
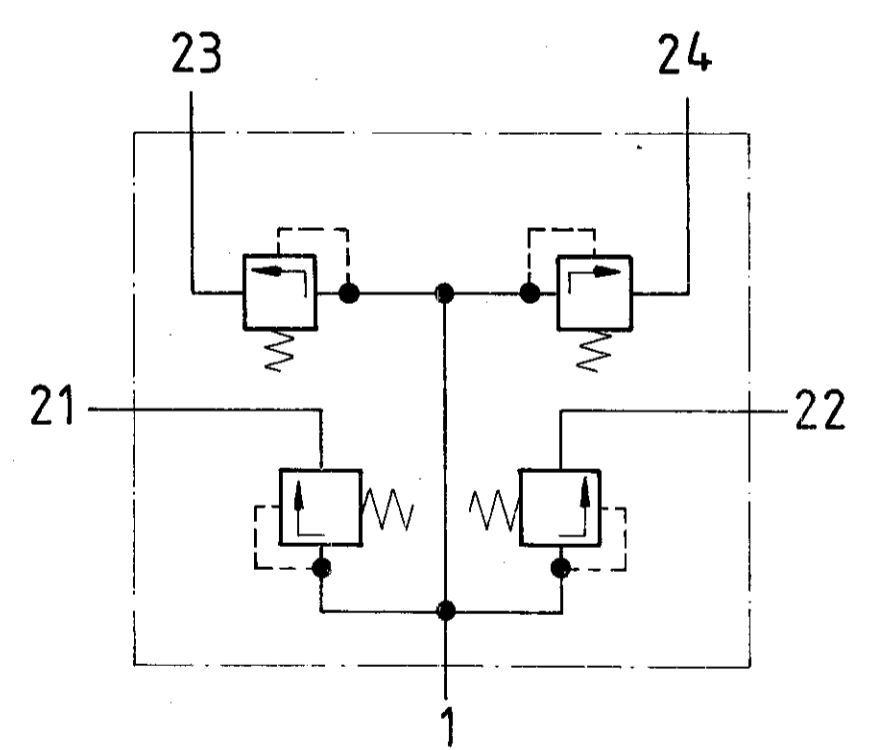
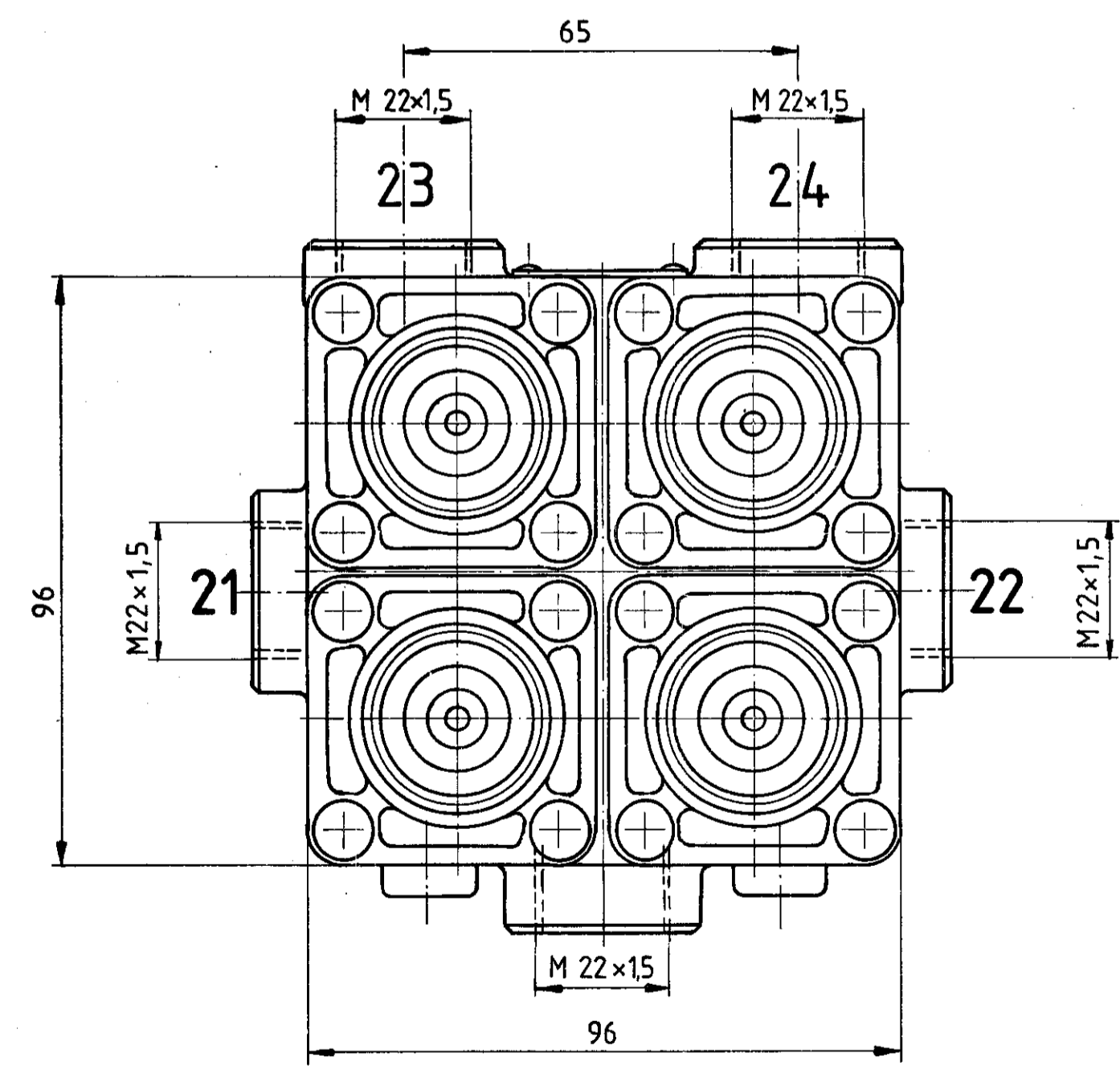


Non è permesso copiare o riprodurre questo documento, né utilizzare il contenuto o renderlo pubblico in alcun modo senza permesso scritto dalla WABCO. Ogni violazione sarà considerata un atto di infrazione e sarà perseguita legalmente. Toute réimpression ou utilisation non autorisée sans la permission écrite de la WABCO est formellement interdite. Toute violation sera considérée comme une infraction et sera poursuivie judiciairement. All rights reserved. No part of this document may be reproduced or transmitted in any form or by any means electronic or mechanical, including photocopying, recording, or by any information storage and retrieval system, without permission in writing from WABCO. Any unauthorized use or copying of this document is prohibited and will be prosecuted. This drawing is subject to copyright.



SERVICE PRESSURE :
 BETRIEBSDRUCK : MAX. 20 bar
 PRESSION DE SERVICE :
 PRESSIONE D'ESERCIZIO :
 MEDIUM : AIR
 MEDIUM : LUFT
 MELIEU : AIR
 FLUIDO : ARIA

- CONNECTIONS : = SUPPLY
 ANSCHLUESSE : 1 = LUFTEINTRITT
 ORIFICES : = ALIMENTATION
 ORIFIZI : = ALIMENTAZIONE
- 21 = CIRCUIT 1
 = KREIS 1
 = CIRCUIT 1
 = CIRCUITO 1
- 22 = CIRCUIT 2
 = KREIS 2
 = CIRCUIT 2
 = CIRCUITO 2
- 23 = CIRCUIT 3
 = KREIS 3
 = CIRCUIT 3
 = CIRCUITO 3
- 24 = CIRCUIT 4
 = KREIS 4
 = CIRCUIT 4
 = CIRCUITO 4



CIRCUIT KREIS CIRCUIT CIRCUITO	21	22	23	24
OPENING PRESSURE (bar) OEFFNUNGSDRUCK (bar) PRESSION D'OUVERTURE (bar) PRESSIONE DI APERTURA (bar)	7,0			
MAINTAINING PRESSURE AT SUPPLY INTO THE INTACT CIRCUITS (DEFECT CIRCUIT 0 bar) SICHERUNGSDRUCK BEI NACHFOERDERUNG IN DEN INTAKTEN KREISEN (DEFEKTER KREIS 0 bar) PRESSION DE MAINTENANCE A ALIMENTATION DU CIRCUIT INTACT (CIRCUIT DEFECT 0 bar) PRESSIONE MANTENUTA AL ALIMENTAZIONE DEL CIRCUITO INTATTO (CIRCUITO DEFETTO 0bar)	≥ 6,7			

THERMAL RANGE OF APPLICATION FROM -40°C TO +90°C
 THERMISCHER ANWENDUNGSBEREICH VON -40°C AUF +90°C
 GAMMA D'APPLICATION THERMIQUE DE -40°C A +90°C
 CAMPO DI APPLICAZIONE TERMICA DA -40°C A +90°C

FURTHER TECHNICAL DATA SEE					
IDENTIFICATION No					
CODE FOR DOCUMENT	605 SHEET TO				
GENERAL TOLERANCES					
CLASS	RANGE OF NOMINAL DIMENSIONS (± mm)				
	1)	< 50	> 50 < 180	> 180 < 400	> 400
I	0,5	1	1,5	2	± 3°
II	X	1	2	3	
III	2	3,5	5	6,5	
TAPPED HOLES ACC. ISO 4039 / JED-152					
1) TOLERANCE CLASS APPLIED CROSSMARKED					

L		LOP / RIGHT		WABCO	CLAYTON DEWANDRE
K		DATE	SIGNATURE		
J		86-10-13	<i>W. Hoffmann</i>	QUADRUPLE CIRCUIT PROTECTION VALVE VIERKREIS-SCHUTZVENTIL VALVE DE PROTECTION (A 4 CIRCUITS) VALVOLA DI PROTEZIONE (A 4 CIRC)	
H					
G				STANDARDIZATION	
F		86-40-29	<i>W. Hoffmann</i>	PRODUCT IDENTIFICATION NO.	
E				934 702 260 0	
D				CODE FOR DOCUMENT	SHEET
C		1,1 kg	1:1	605	1/1
B				REPLACEMENT FOR	
A		A 2	140	884 006 672 0 of 25.2.86	
DCN-No	REV.	DATE			

100 mm