

CONNECTIONS: = SUPPLY  
 ANSCHLUESSE: = LUFTEINTRITT  
 ORIFICES: 1 = ALIMENTATION  
 ORIFIZI: = ALIMENTAZIONE

= CIRCUIT 1  
 21 = KREIS 1  
 = CIRCUIT 1  
 = CIRCUITO 1

= CIRCUIT 2  
 22 = KREIS 2  
 = CIRCUIT 2  
 = CIRCUITO 2

= CIRCUIT 3  
 23 = KREIS 3  
 = CIRCUIT 3  
 = CIRCUITO 3

= CIRCUIT 4  
 24 = KREIS 4  
 = CIRCUIT 4  
 = CIRCUITO 4

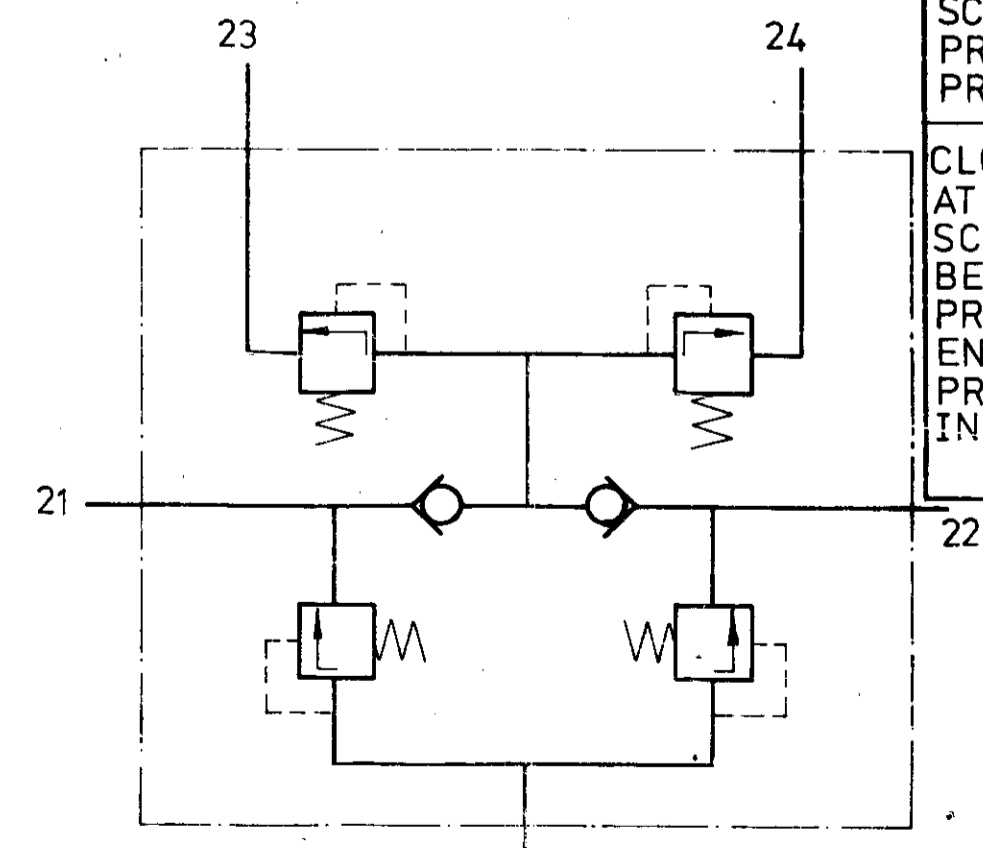
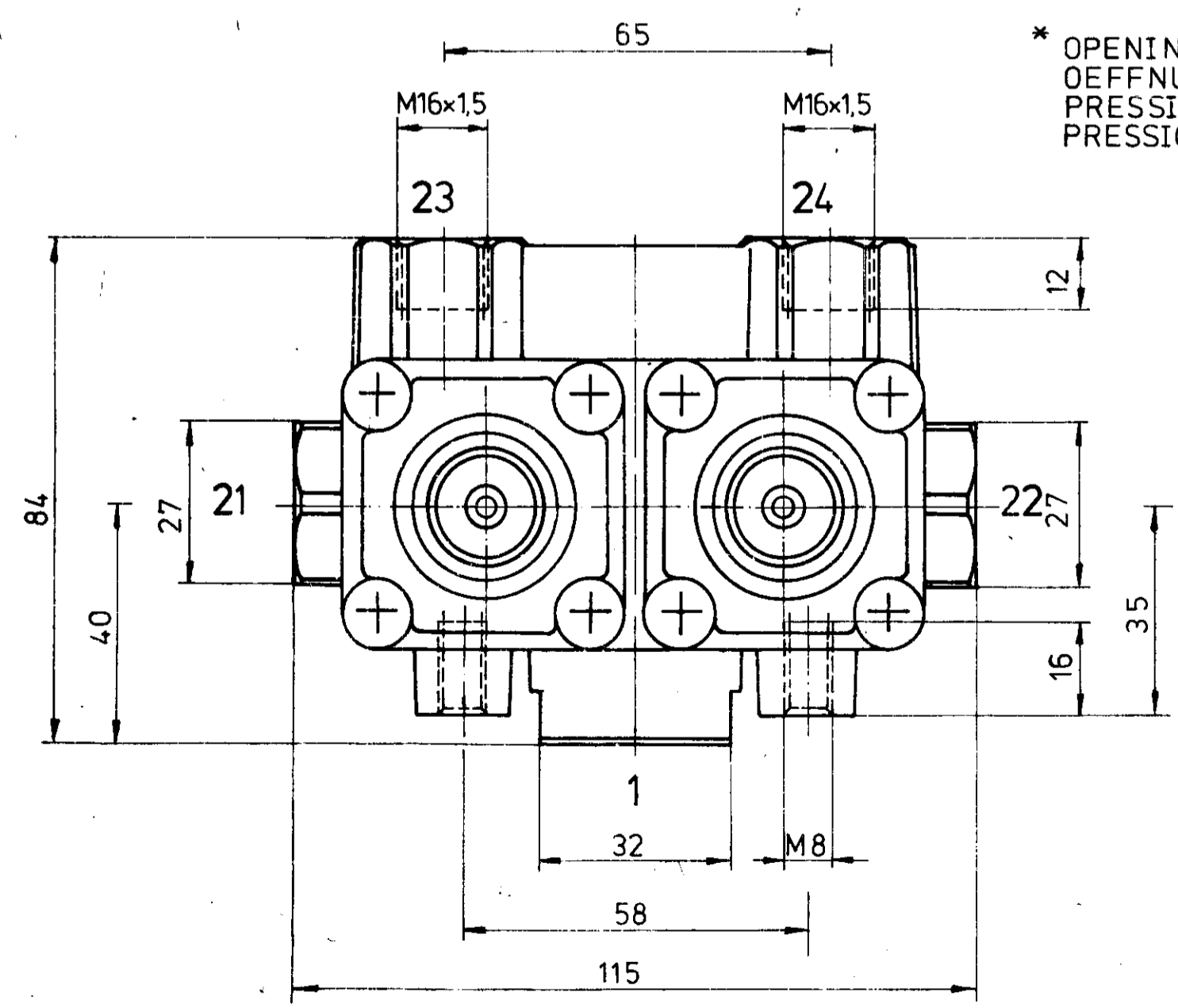
MEDIUM: AIR  
 MEDIUM: LUFT  
 MILIEU: AIR  
 FLUIDO: ARIA

WEIGHT: 0.9 da N  
 GEWICHT:  
 POIDS:  
 PESO:

SERVICE PRESSURE: MAX. 20 bar  
 BETRIEBSDRUCK:  
 PRESSION DE SERVICE:  
 PRESSIONE D'ESERCIZIO

ADMISSIBLE TEMPERATURES  
 THERMISCHER ANWENDUNGSBEREICH -40°C...+90°C  
 TEMPERATURE DE SERVICE  
 TEMPERATURA D'ESERCIZIO

\* OPENING PRESSURE = MAINTAINED PRESSURE  
 OEFFNUNGSDRUCK = GESICHERTER DRUCK  
 PRESSION D'OUVERTURE = PRESSION MAINTENUE  
 PRESSIONE DI APERTURA = PRESSIONE MANTENUTA



CIRCUIT KREIS CIRCUIT CIRCUITO	21	22	23	24
OPENING PRESSURE [bar] * OEFFNUNGSDRUCK [bar] PRESSION D'OUVERTURE [bar] PRESSIONE DI APERTURA [bar]	7- <sub>0.3</sub>			
CLOSING PRESSURE DYNAMIC [bar] SCHLISSDRUCK DYNAMISCH [bar] PRESSION DE FERMETURE DYNAM. [bar] PRESSIONE DI CHIUSURA DINAM. [bar]	≅ 5			
CLOSING PRESSURE STATIC [bar] AT FAILURE OF CIRCUIT ... SCHLISSDRUCK STATISCH [bar] BEI AUSFALL VON KREIS ... PRESSION DE FERMETURE STAT. [bar] EN CAS DE DEFAILLANCE DU CIRCUIT ... PRESSIONE DI CHIUSURA STATICO [bar] IN CASO DI DIFETTO DEL CIRCUITO ...	0	≅ 4,5	≅ 6,7	
	≅ 4,5	0	≅ 6,7	
	4,5 <sup>+0.7</sup> Ⓔ	0		4,5 <sup>+0.7</sup> Ⓔ
	4,5 <sup>+0.7</sup> Ⓔ	4,5 <sup>+0.7</sup> Ⓔ		0

33263 E 22.186	Tolerances not specified Freimaßtoleranzen Tolérances générales Tolleranze generali	Material Werkstoff Matériau Materiale	Supplied as Lieferzustand Etat de livraison Stato di consegna
30337 D 21.684		Surface protection Oberflächenbeschütz Protection Protezione	Mean value of roughness Ra in µm Mittelwert der Rauigkeit Ra in µm Valeur de la rugosité Ra en µm Valore della rugosità Ra in µm
19866 C 10.0579		Treatment Behandlung Traitement Trattamento	Blank no. Rohnummer No piece brute No pezzo grezzo
B 11.275	Scale Maßstab Echelle Scala	1:1	
A 9.12.74			
C.N. No.   Letter   Date			
Revisions Änderungen Modifications Modifiche			
Drawn Gezeichnet	18.6.74		
Checked			
Approved			

PROTECTION VALVE (FOR 4 CIRCUITS)  
 SCHUTZVENTIL (FUER 4-KREIS-ANLAG)  
 VALVE DE PROTECTION (A 4 CIRC.)  
 VALVOLA DI PROTEZIONE (A 4 CIRC.)

A 934 702 300 0

WESTINGHOUSE  
 JOINT ENGINEERING DEPARTMENT

Replacement for  
 Ersatz für  
 Remplace  
 Sostituisce